

## TMPZ84C011AF-6 TLCS-Z80 MICROPROCESSOR

### 1. OVERVIEW AND FEATURES

The TMPZ84C011A is a high-performance CMOS 8-bit microprocessor that contains the functional peripherals such as counter timer circuit (CTC) parallel I/O port, and clock generator/controller (CGC) around the TLCS-Z80 MPU. This microprocessor directly inherits the basic architecture of the TLCS-Z80 MPU, making available the software resources and development tools accumulated so far.

The TMPZ84C011A is based on the new CMOS process and housed in a standard 100-pin mini-flat package, greatly contributing to system minituarization and power saving.

The TMPZ84C011A has many I/O ports, making it available for a wide range of system applications such as the controller, the measuring instrument, and the word processor.

Features:

- Built-in MPU, CTC, and CGC functions of the TLCS-Z80 family.
- High speed operation (6 MHz operation)
- Built-in clock generator (CGC. Clock Generator/Controller)
- Built-in standby capability (with the controller built in)
- Low power consumption
 

|                 |                                       |
|-----------------|---------------------------------------|
| operation ..... | 15 mA typ. (4 MHz) 22mA typ. (6MHz)   |
| idle .....      | 1.0 mA typ. (4 MHz) 1.5mA typ. (6MHz) |
| standby.....    | 500 nA typ.                           |
- Wide operational power voltage range ( $5V \pm 10\%$ , 3 to 6V operation supported)
- Wide operational temperature range ( $-40^{\circ}\text{C}$  to  $+85^{\circ}\text{C}$ )
- Three selectable operational modes
 

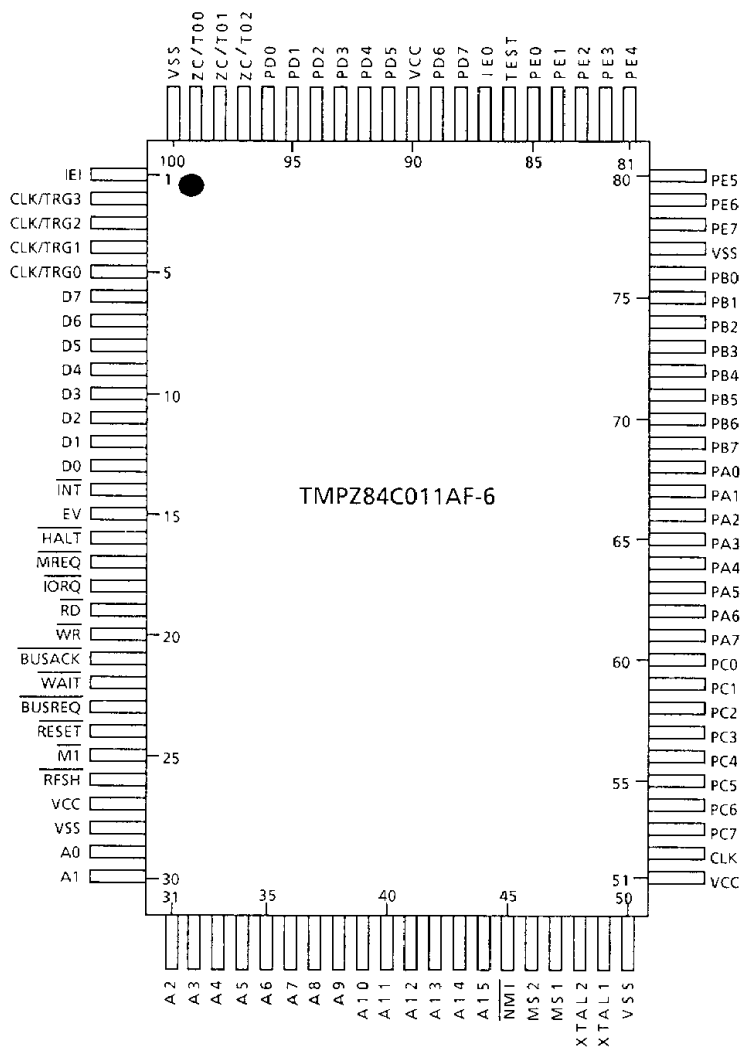
|                 |                                       |
|-----------------|---------------------------------------|
| Run mode .....  | Normal operation                      |
| Idle mode ..... | Only clock generation goes on         |
| Stop mode ..... | Clock generation stops; standby state |
- Many general-purpose ports (5 ports, 40 bits) which support I/O operation on a bit basis.
- Four channels of timer/counter (the same capability as the TLCS-Z80 CTC).
- Built-in dynamic RAM refresh controller
- Daisy-chain interrupt control pin

- Housed in a compact 100-pin mini-flat package
- Emulation by Z80 ICE (ex. Toshiba Real Time Emulator RTE80) is available.
- The Toshiba evaluator board (BM8024) and adapter board (BM8026) are available.

note : Z80 is a trade mark of Zilog Inc.

## 2. PIN ASSIGNMENTS AND FUNCTIONS

### 2.1 PIN ASSIGNMENTS (TOP VIEW)



110489

Figure 2.1.1 Pin Assignments

(1/3)

| Pin               | Number                  | Type              | Function  |
|-------------------|-------------------------|-------------------|---|
| D0-D7             | 8<br>(6-13)             | I/O<br>3-state    | The 8-bit bi-directional data bus.  |
| A0-A15            | 16<br>(29-44)           | Output<br>3-state | The 16-bit address bus.<br>These pins specify memory and I/O port addresses. During a refresh cycle, the refresh address is output to the low-order 7 bits.   |
| PA0-PA7           | 8<br>(61-68)            | I/O<br>3-state    | The general-purpose I/O port (port A) which can be set by program for input or output on a bit basis. When it is set for output, it provides latch output.  |
| PB0-PB7           | 8<br>(69-76)            | I/O<br>3-state    | The general-purpose I/O port (port B) which can be set by program for input or output on a bit basis. When it is set for output, it provides latch output.  |
| PC0-PC7           | 8<br>(53-60)            | I/O<br>3-state    | The general-purpose I/O port (port C) which can be set by program for input or output on a bit basis. When it is set for output, it provides latch output.  |
| PD0-PD7           | 8<br>(88-89)<br>(91-96) | I/O<br>3-state    | The general-purpose I/O port (port D) which can be set by program for input or output on a bit basis. When it is set for output, it provides latch output.  |
| PE0-PE7           | 8<br>(78-85)            | I/O<br>3-state    | The general-purpose I/O port (port E) which can be set by program for input or output on a bit basis. When it is set for output, it provides latch output.  |
| $\overline{M1}$   | 1<br>(25)               | Output<br>3-state | Machine cycle 1 signal pin. In an Op code fetch cycle, this pin goes "0" with the $\overline{MREQ}$ signal. At the execution of a 2-byte Op code, this pin goes "0" for each operation fetch. In a maskable interrupt acknowledge cycle, this pin goes "0" with the $\overline{IORQ}$ signal. When the EV signal is applied, this pin is put in the high-impedance state. |
| $\overline{RD}$   | 1<br>(19)               | Output<br>3-state | The read signal pin. This signal indicates that the MPU is ready for accepting data from memory or an I/O device. The data from the addressed memory or I/O device is gated by this signal onto the MPU data bus.<br>When the $\overline{BUSREQ}$ signal is applied, this pin is put in the high impedance state.   |
| $\overline{WR}$   | 1<br>(20)               | Output<br>3-state | The write signal pin. This signal active when the data to be stored in the addressed memory or I/O device is on the data bus. When the $\overline{BUSREQ}$ signal is applied, this pin is put in the high-impedance state.  |
| $\overline{MREQ}$ | 1<br>(17)               | Output<br>3-state | The memory request signal pin. When the execution address for memory access is on the address bus, this pin goes "0". During a memory refresh cycle, this pin also goes "0" with the $\overline{RFSH}$ signal.  |

110489

(2/3)

| Pin                        | Number       | Type              | Function   |
|----------------------------|--------------|-------------------|--|
| $\overline{\text{IORQ}}$   | 1<br>(18)    | Output<br>3-state | The input/output request signal pin. This pin goes "0" when the address for an I/O operation is on the low-order 8 bits (A0 through A7) for the address bus. The $\overline{\text{IORQ}}$ signal is also output with the $\overline{\text{MT}}$ signal at interrupt acknowledge to tell an I/O device that it can put the interrupt response vector onto the data bus.                                 |
| $\overline{\text{WAIT}}$   | 1<br>(22)    | Input             | The wait request signal pin. This signal indicates to MPU that the addressed memory or I/O device is not ready for data transfer. As long as this signal is "0", the MPU continues to be in the wait state.  |
| $\overline{\text{BUSREQ}}$ | 1<br>(23)    | Input             | The bus request signal pin. The $\overline{\text{BUSREQ}}$ signal forces the MPU address bus, data bus, and control signals $\overline{\text{MREQ}}$ , $\overline{\text{IORQ}}$ , $\overline{\text{RD}}$ , and $\overline{\text{WR}}$ to get in the high-impedance state. This signal is normally wire-ORed and required an external pullup resistor for these applications.                           |
| $\overline{\text{BUSACK}}$ | 1<br>(21)    | Output            | The bus acknowledge signal pin. In response to the $\overline{\text{BUSREQ}}$ signal, the $\overline{\text{BUSACK}}$ signal indicates to the requesting peripheral LSI that the MPU address bus, data bus, and control signals $\overline{\text{MREQ}}$ , $\overline{\text{IORQ}}$ , $\overline{\text{RD}}$ , and $\overline{\text{WR}}$ have been put in the high-impedance state.                    |
| $\overline{\text{HALT}}$   | 1<br>(16)    | Output<br>3-state | The halt signal pin. This pin goes "0" when the MPU has executed a HALT instruction and is in the halt state. It is put in the high-impedance state when the EV signal is applied.   |
| $\overline{\text{RFSH}}$   | 1<br>(26)    | Output            | The refresh signal pin. When the dynamic memory refresh address is on the low-order 7 bits of the address bus, this signal goes "0". At the same time, the $\overline{\text{MREQ}}$ signal also goes active ("0").   |
| EV                         | 1<br>(15)    | Input             | The evaluator signal pin. When "1" is applied to this pin, the $\overline{\text{MT}}$ and $\overline{\text{HALT}}$ pins are put in the high-impedance state. In using the TMPZ84C011A for an evaluator chip, giving the signal with $\overline{\text{BUSREQ}}$ electrically disconnects the MPU section and the chip operates following the instructions from other MPUs (such as the MPU of the ICE). |
| TEST                       | 1<br>(86)    | Input             | The test signal pin. Normally, this pin should be "0".   |
| CLK/TRG0<br>┆<br>CLK/TRG3  | 4<br>(2-5)   | Input             | The external clock/timer trigger input pins. These 4 CLK/TRG pins correspond to 4 channels. In the counter mode, the down-counter is decremented by 1 and, in the timer mode, the timer is activated by each active edge (a rising or falling edge) which are input at these pins. Whether the active edge is a rising or falling edge can be selected by program.                                     |
| ZCT/O0<br>┆<br>ZCT/O2      | 3<br>(97-99) | Output            | The zero count/time out signal output pin. In either the timer mode or counter mode, pulses are output from these pins when the counter value has reached zero.  |

110489

(3/3)

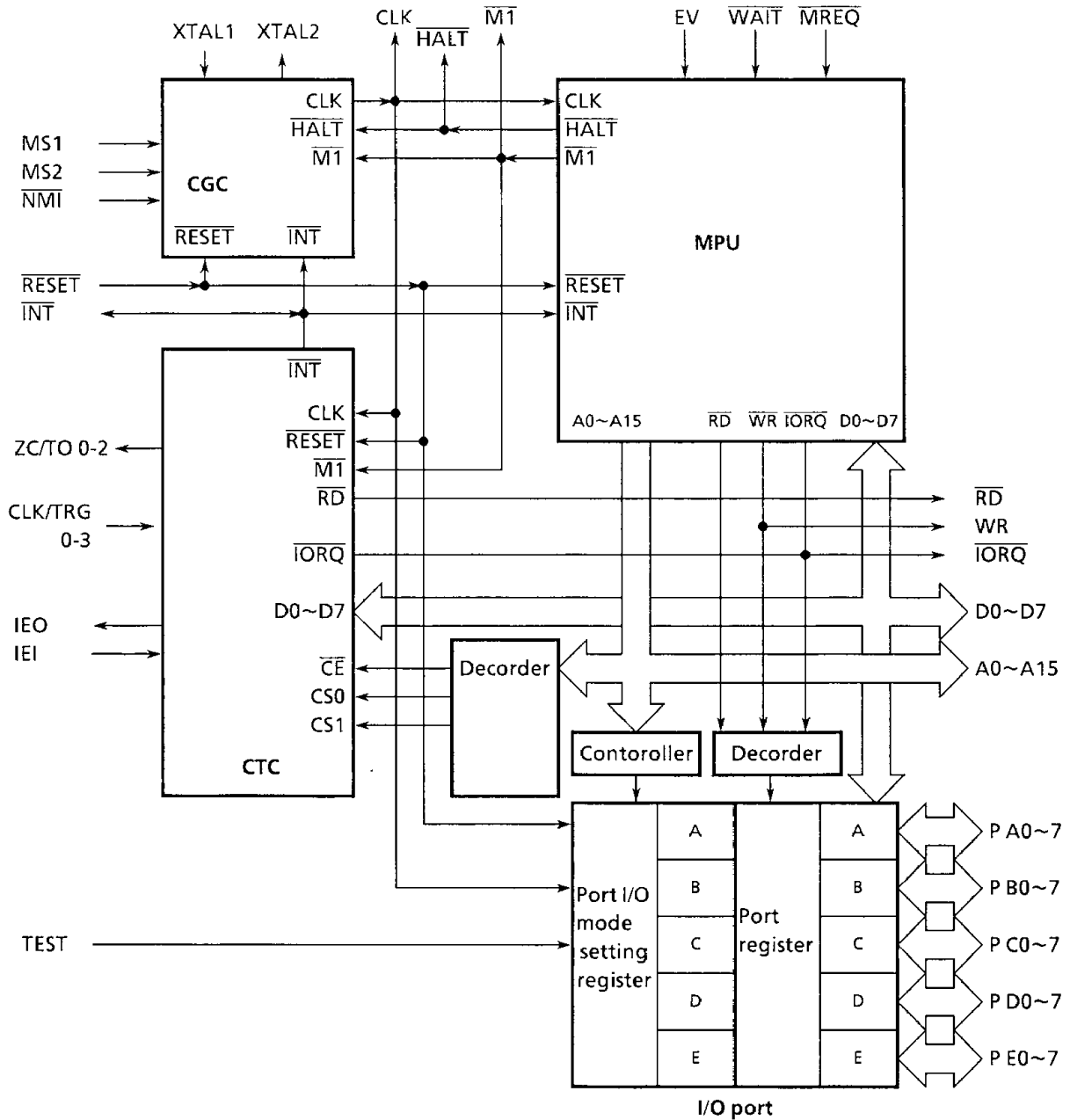
| Pin                       | Number                    | Type            | Function   |
|---------------------------|---------------------------|-----------------|--|
| IEI                       | 1<br>(1)                  | Input           | The CTC interrupt enable input signal pin. This signal indicates whether there is an interrupt by an upper peripheral LSIs in daisy-chaining.  |
| IEO                       | 1<br>(87)                 | Output          | The CTC interrupt enable output signal pin. This signal controls the interrupts by lower peripheral LSIs in daisy chaining. This signal goes high only when the IEI pin is high and the MPU is not servicing the interrupt from the channel in the CTC.  |
| XTAL1<br>XTAL2            | 2<br>(49)<br>(48)         | Input<br>Output | The crystal oscillator connection pins.<br>Connect a resonator whose oscillation frequency is double the system clock (CLK output) frequency.  |
| MS1<br>MS2                | 2<br>(47)<br>(46)         | Input           | The mode select input pins. The states of these 2 pins determine one of the 3 modes (Run, Idle, and Stop).   |
| CLK                       | 1<br>(52)                 | Output          | The single-phase clock output pin. When the HALT instruction is executed in the Stop or Idle mode, the MPU and the CTC stop operating with the clock (CLK) output held at "0". This output is used for the clock to other peripheral LSIs  |
| $\overline{\text{RESET}}$ | 1<br>(24)                 | Input           | The reset signal input pin. This signal is commonly given to the MPU, CTC, I/O and CGC. It is also used for the restart signal from the halt state.  |
| $\overline{\text{INT}}$   | 1<br>(14)                 | Input           | The maskable interrupt request signal pin. The interrupt is caused by the CTC or peripheral LSIs. The interrupt is accepted when the interrupt enable flip-flop (IFF) is set to "1" by software. The $\overline{\text{INT}}$ pin is normally wire-ORed, requiring to attach a pullup resistor externally. This signal is also used for the restart signal from the halt state. |
| $\overline{\text{NMI}}$   | 1<br>(45)                 | Input           | The non-maskable interrupt request signal pin. This interrupt request has a higher priority than a maskable interrupt and independent of the interrupt enable flip-flop (IFF) state.   |
| VCC                       | 3<br>(27, 51, 90)         |                 | The power supply pin (+ 5 V).  |
| VSS                       | 4<br>(28, 50, 77,<br>100) |                 | The ground pin (0 V).  |

110489

### 3. OPERATIONAL DESCRIPTIONS

#### 3.1 ENTIRE BLOCK DIAGRAM AND OPERATION OF EACH BLOCK

##### 3.1.1 Entire Block Diagram



110489

Figure 3.1.1 Entire Block Diagram

### 3.1.2 Operation of Each Block

The TMPZ84C011A largely consists of a processor (MPU), a counter/timer circuit (CTC), an input/output port section (I/O), and a clock generator/controller (CGC).

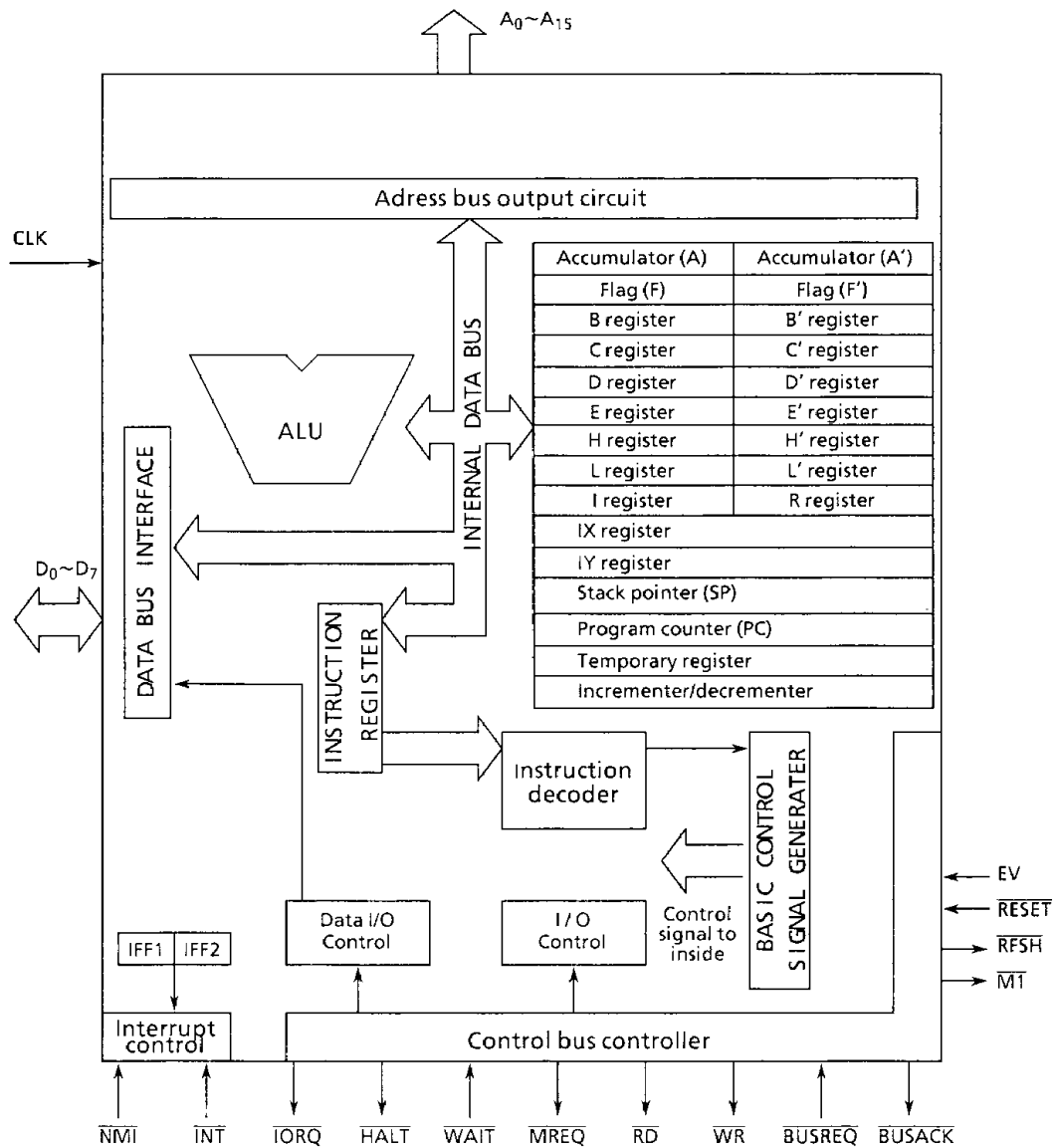
- The MPU has all pins of the Toshiba TLCS-Z80 MPU, and its function is fully compatible with TLCS-Z80 microprocessor.
- The CTC provides the capabilities of the Toshiba TLCS-Z80 CTC (TMPZ84C30A) and has the pins required to perform the necessary operations as a TLCS-Z80 peripheral LSI. The four independent timer channels are I/O-addressed internally. It also has the IEI and IEO pins required for the daisy-chain interrupt to provide daisy-chaining with other peripheral LSIs.
- The I/O consists of 5 general-purpose I/O ports, each made up of 8 bits. Each port can be specified by program for input or output on a bit basis. The 5 ports are assigned with I/O addresses, which are specified by program to make the ports perform I/O operations. When these ports are used for output ports, the output is latched, so that the data once output is held as it is until changed.
- The CGC provided the 3 kinds of operation modes to control the entire TMPZ84C011A chip; the Run, Idle, and Stop modes. The CGC provides the same function as the Toshiba TLCS-Z80 CGC (TMPZ84C60) and has the pin to select the Run, Idle, or Stop mode.
  - In the Run mode, the clock generated by the CGC is supplied to the TMPZ84C011A and peripheral LSIs to perform the normal programmed microcomputer operations.
  - In the Idle mode, clock oscillation is going on but the clock is not supplied to the TMPZ84C011A and peripheral LSIs, thereby saving the system power consumption. This mode shortens the time required for system restart.
  - In the Stop mode, clock oscillation is not performed and the system operation can be stopped completely. In this mode, the system can be restarted with the internal data retained with an extremely low power consumption level unique to the CMOS technology. Note that these modes can be set only when the MPU has executed a HALT instruction.
- Additionally, the TMPZ84C011A has also the EV pin which is used to put the MPU in the high-impedance state for electrical disconnection, thus providing an evaluator chip. That is, the MPU in the TMPZ84C011A is electrically disconnected by the EV pin and the  $\overline{\text{BUSREQ}}$  pin to implement the emulation by the signal from the in-circuit emulator (ICE).

3.2 MPU OPERATIONS

This subsection describes the system configuration, functions and the basic operations of the MPU of the TMPZ84C011A.

3.2.1 Block Diagram

Figure 3.2.1 shows the block diagram of the MPU.



270489

Figure 3.2.1 MPU Block Diagram



### 3.2.2 MPU System Configuration

The MPU has the configuration shown in Fig. 3.2.1. The address signal is put on the address bus via the address buffer. The data bus is controlled for input or output by the data bus interface. Both the address and data buses are put in the high-impedance state by the  $\overline{\text{BUSREQ}}$  signal input to make them available for other peripheral LSIs. The Opcode read from memory via the data bus is written to the instruction register. This Opcode is decoded by the instruction decoder. According to the result of the decoding, control signals are sent to the relevant devices. Receiving these control signals, the ALU performs various arithmetic operations. The register array temporarily holds the information required to perform a given operation.

The following describes the MPU's internal registers and functions:

#### [1] Internal Register Groups

The configuration of the internal register groups is as follows:

##### (1) Main registers

A, F, B, C, D, E, H, L

##### (2) Alternate registers

A', F', B', C', D', E', H', L'

##### (3) Special registers

I, R, IX, IY, SP, PC

Figure 3.2.3 shows the configuration of the internal register groups. The register groups, each being of a static RAM, consists of eighteen 8-bit registers and four 16-bit registers. The following describes the function of each register:

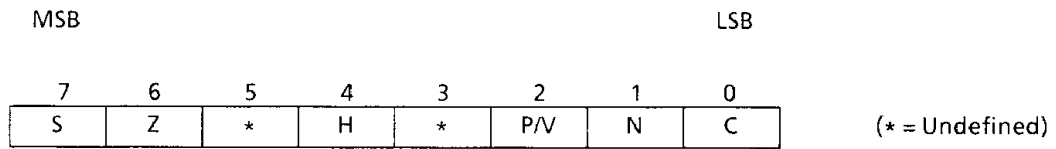
#### (1) Main registers (A, F, B, C, D, E, H, L)

##### (a) Accumulator (A)

The accumulator is an 8-bit register used for arithmetic and data transfer operations.

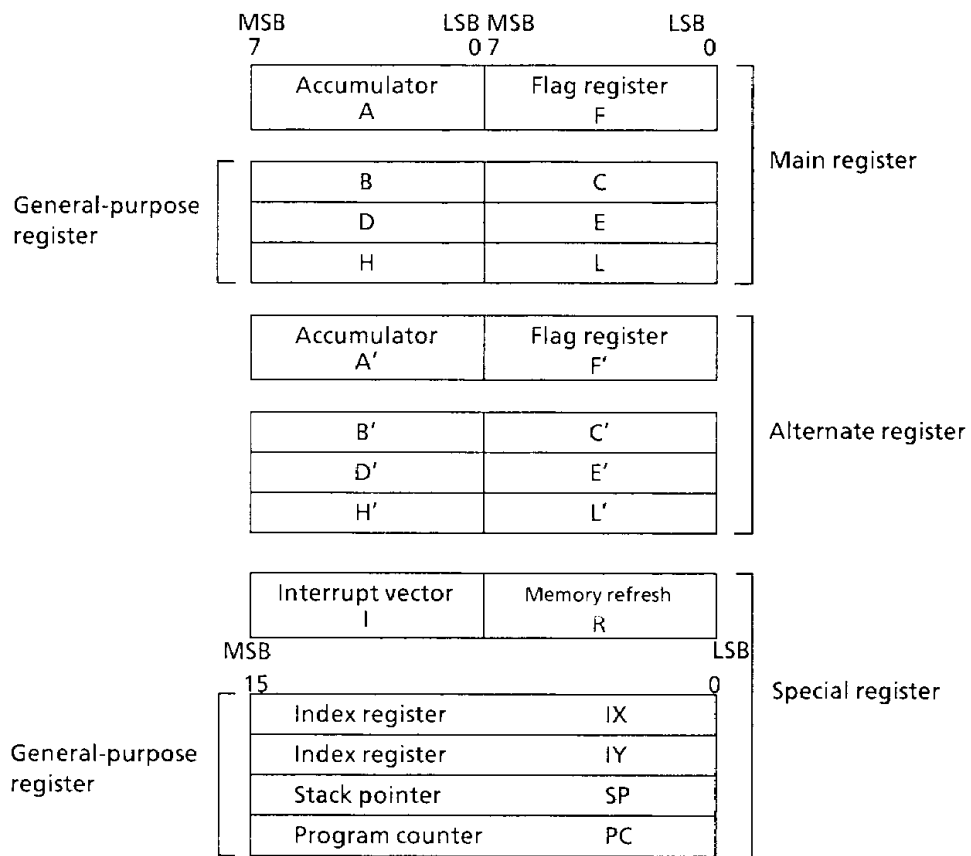
##### (b) Flag register (F) (see Figure 3.2.2)

The flag register is an 8-bit register to hold the result of each arithmetic operation. Actually, the 6 of the 8 bits are set ("1")/reset ("0") according to the condition specified by an instruction.



270489

Figure 3.2.2 Flag Register Configuration



110489

Figure 3.2.3 Flag Register Configuration

The following 4 bits are directly available to the programmer for setting the jump, call and return instruction conditions:

- Sign flag (S)

When the result of an operation is negative, the S flag is set to "1". Actually, the content of bit 7 of accumulator is stored in this flag.

- Zero flag (Z)

When all bits turn out to be "0" after operation, the Z flag is set to "1". Otherwise, it is set to "0". With a block search instruction (CPI, CPIR, CPD or CPDR), the Z flag is set to "1" if the source data and the accumulator data match. With a block I/O instruction (INI, IND, OUTI or OUTD), the Z flag is set to "1" if the content of the B register used as the byte counter is "0" at the end of comparison.

- Parity overflow flag (P/V)

This flag has two functions. One is the parity flag (P) that indicates the result of a logic operation (AND A,B etc.). The P flag is set to "1" if the parity is even as a result of the operation on signed values by two's complement. It is set to "0" if the parity is odd. With a block search instruction (CPI, CPIR, CPD or CPDR) and a block transfer instruction (LDI or LDD), the P flag indicates the state of the byte counter (register pair BC). It is set to "1" if the byte counter is not "0" and to "0" when the byte counter becomes "0" (at the end of comparison or data transfer). The content of the interrupt enable flip-flop (IFF) is saved to the P flag when the contents of the R register or I register are transferred to the accumulator.

The other use of the P/V flag is the overflow flag (V) that indicates whether an overflow has occurred or not as a result of an arithmetic operation. The V flag is set to "1" when the value in the accumulator gets out of a range of the maximum value +127 and the minimum value -128 and therefore cannot be correctly represented as a two's complement notation.

Whether the P/V flag operates as the P flag or V flag is determined by the type of the instruction executed.

- Carry flag (C)

The C flag is set to "1" if a carry occurs from bit 7 of the accumulator or a borrow occurs as a result of an operation.

The following two flags are not available to the programmer for the test and set ("1")/reset ("0") purposes. They are internally used by the MPU for BCD arithmetic operations.

- Half carry flag (H)

The H flag is used for holding the carry or borrow from the low-order 4 bits of a BCD operation result. When a DAA instruction (decimal adjust) is executed, the MPU automatically uses the H flag to adjust the result of a decimal addition or subtraction.

- Add/subtract flag (N)

In BCD operation, algorithm is different between addition and subtraction. The N flag indicates whether the executed operation is addition or subtraction.

For how the flags change depending on the instruction, see 3.2.4 "TMPZ84C011A Instruction Set".

(c) General-purpose registers (B, C, D, E, H, L)

General-purpose registers consist of 8 bits each. They are used as 16-bit register pairs (BC, DE, HL) as well as separate 8-bit registers to supplement the accumulator. The B register and the register pair BC are used as a counter when a block I/O, block transfer, or search instruction is executed. The register pair HL has various memory addressing features as compared with the register pairs BC and DE.

(2) Alternate registers (A', F', B', C', D', E', H', L')

The configuration of the alternate registers is exactly the same as that of the main registers. There is no instruction that handles the alternate registers directly. The data in the alternate registers are processed by moving them into the main registers by means of exchange instructions as shown below:

EX AF, AF'     (A↔A', F↔F')

EXX           (B↔B', C↔C', D↔D', E↔E', H↔H', L↔L')

When a high-speed interrupt response has been requested within the system, these instructions can be used to quickly move the data from the accumulator, flag registers, and general-purpose registers on the main or alternate side into the corresponding registers. This eliminates the need for transferring the register contents to/from the external stack during execution of the interrupt handling routine, thereby shortening the interrupt servicing time greatly.

(3) Special registers (I, R, IX, IY, SP, PC)

(a) Interrupt page address register (I)

The TMPZ84C011A provides two kinds of interrupts: maskable interrupt ( $\overline{INT}$ ) and non-maskable interrupt ( $\overline{NMI}$ ). The maskable interrupt provides three modes (0, 1, and 2) in which the interrupt is handled. These modes can be selected by instructions IM0, IM1, and IM2 respectively. In mode 2, any memory location can be called indirectly depending on the interrupt. For this purpose, the I register stores the high-order 8 bits of the indirect address. The low-order 8 bits are supplied from the interrupting peripheral LSI. This scheme permits calling the interrupt handling routine from any memory location in an extremely short access time. For the details of interrupts, see (IV) "Interrupt Capability".

(b) Memory refresh register (R)

The R register is used as the memory refresh counter when the dynamic RAM is used for memory. This permits using of the dynamic memory in the same manner as the static memory. This 8-bit register is automatically incremented for each instruction fetch. While the MPU decoder executes the fetched instruction, the contents of the R register are synchronized with the refresh signal to place the low-order 7 bits on the address bus. This operation is all performed by the MPU and, therefore, need not perform a special processing by program. The MPU operation is not delayed by this operation. During refresh, the contents of the I register are placed on the high-order 8 bits of the address bus.

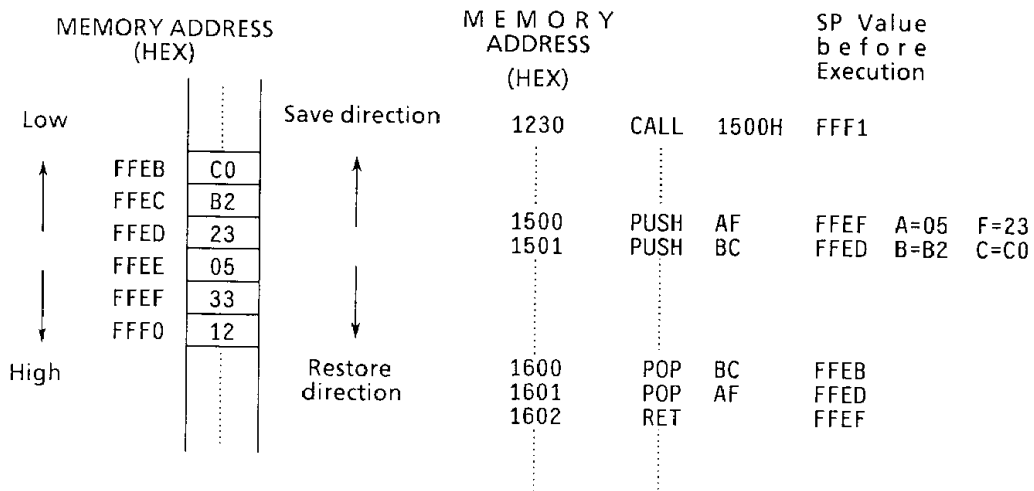
(c) Index registers (IX, IY)

The two independent index registers IX and IY holds the 16-bit base address when used in the index addressing mode. In this addressing mode, the memory address obtained by adding the contents of an index register to the displacement value (for example, LD IX + 40H) is specified. This mode is convenient for using data tables. Also these registers can be used separately for memory addressing and data retaining registers.

(d) Stack pointer (SP)

The stack pointer is a 16-bit register to provide the start address information in the stack area in the external RAM. The content of the stack pointer is decremented at the execution of a call instruction or PUSH instruction or interrupt handling and is incremented at the execution of a return instruction or POP instruction. At the execution of a call instruction or interrupt handling, the current content of the program counter is saved into the stack. At the execution of a return instruction, the content is restored from the stack to the program counter. These operations are all performed by the MPU automatically. However, the other registers are not saved or restored automatically. For the storing of these registers, alternate register exchange instruction (EX and EXX) or a PUSH and a POP instructions must be used. When a PUSH instruction is executed, the contents of the specified register are saved into the stack. When a POP instruction is executed, the contents of the stack are moved to the specified register.

These data are restored on a last-in, first-out basis. Use of the stack permits processing of multiple-level interrupts, very deep subroutine nestings, and various data manipulation very easily. The stack pointer is not initialized in the hardware approach. Therefore, it is required to specify initialization (to the highest address in the stack) in the initialization program by allocating the stack area in RAM in during programming.



The above example shows the stack pointer and stack operations in which the instructions starting with the CALL at address 1230H and ending at with the RET at address 1602H have been executed. However, it is assumed that there is no instruction or interrupt other than shown above that uses the above stack during the execution. When the value of the stack pointer before executing the CALL instruction at address 1230H indicates address FFF1H, address 1233H is stored at addresses FFF0H and FFEFH because the CALL instruction consists of 3 bytes, then the stack pointer is decremented. Similarly, the data are saved or restored sequentially according to the instructions. These stack and stack pointer operations are all performed automatically.

(e) Program counter (PC)

The program counter holds, in 16 bits, the memory address of the instruction to be executed next. The MPU fetches the instruction from the memory location indicated by the program counter. When the content of the program counter is put on the address bus, the program counter is incremented automatically. However, it is not incremented with a jump instruction, a call instruction, or interrupt processing. Instead, the specified new address set on it. With a return instruction, the content restored from the stack is set on the program counter. These operations are all performed automatically and therefore, transparent to the programmer.

[2] Halt capability

When a HALT instruction has been executed, the MPU is put in the halt state. The halt capability can be used to halt the MPU against the external interrupts, thereby reducing the power dissipation. In the halt state the states of MPU's internal registers are all retained. The halt state is cleared by reset or when an interrupt is accepted. For the details of halt operation, see [3] "Basic Timing".

(1) Halt operation

When a HALT instruction has been executed, the MPU sets the  $\overline{\text{HALT}}$  signal to "0" to tell the outside that the MPU is going to get in the halt state. Actually, the MPU in the halt state continues executing NOPs if there is the system clock input. However, the program counter is not incremented. This keeps the refresh signal generated when the dynamic memory is used. During halt, the MPU's internal states are retained. The TMPZ84C011A contains the clock generator/controller, easily implementing the clock input control for these halt operations.

## (2) Clearing the halt state

The halt state is cleared by accepting an interrupt (the  $\overline{\text{INT}}$  or  $\overline{\text{NMI}}$  signal input) or by reset (the  $\overline{\text{RESET}}$  signal input). When an interrupt is accepted, the halt state is cleared and the interrupt handling routine is executed. However, a maskable interrupt (INT) cannot be accepted unless the interrupt enable flip-flop (IFF) is set.

Note that when the halt state is cleared by the  $\overline{\text{RESET}}$  signal, the MPU is reset and the program counter is set to "0".

## [3] RESET Signal

Holding the  $\overline{\text{RESET}}$  pin at the low level ("0") under the following conditions, the MPU's internal states are reset:

- (1) The power voltage level is within the operational voltage range.
- (2) System clock stabilization.
- (3) Holding the  $\overline{\text{RESET}}$  signal at the low level ("0") for at least 3 full clock cycles. When the  $\overline{\text{RESET}}$  signal goes high ("1"), the MPU starts executing instructions from address 0000H after at least 2T state dummy cycles.

When reset, the MPU performs the following processing:

- Program counter  
0000H is set.

- Interrupt

The interrupt enable flip-flop (IFF) is reset to "0" to disable the maskable interrupt. For the maskable interrupt processing, mode 0 is specified.

- Control output

All control outputs are made inactive ("1"). Therefore, the halt state is also cleared.

- Interrupt page address register (I register)

The content of the I register becomes 00H.

- Refresh register (R register)

The content of the R register becomes 00H.

The registers other than above and the external memory do not change. Therefore, they must be initialized as required.



#### [4] Interrupt Capability

The interrupt capability is used to pause the execution of the currently executed program upon request from a peripheral LSI, executing the requested processing before. Normally, this interrupt processing routine contains the data exchange and transfer of status and control information between the MPU and the peripheral LSI. When this routine has been completed, the MPU returns to the state before the interrupt was accepted.

The TMPZ84C011A provides the non-maskable interrupt (NMI) and maskable interrupt (INT) capabilities which are detected by the  $\overline{\text{NMI}}$  and  $\overline{\text{INT}}$  interrupt request signals, respectively. A non-maskable interrupt, when caused by a peripheral LSI, is accepted unconditionally. This interrupt is used to support critical functions such as the protection of the system from unpredictable happening including power outages. A maskable interrupt can be enabled or disabled by program. For example, if the timer is used and, therefore, an interrupt is not desired, the system can be programmed to disable the interrupt. Table 3.2.1 lists the processing by interrupt cause.

##### (1) Interrupt enable/disable

A non-maskable interrupt cannot be disabled by program, while a maskable interrupt can be enabled or disabled by program. The MPU has the interrupt enable flip-flop (IFF). A maskable interrupt can be enabled or disabled by setting this flip-flop to "1" (set) or "0" (reset) through an EI instruction (enable) or a DI instruction (disable) in program. Actually, the IFF consists of two flip-flops IFF1 and IFF2. IFF1 is used to select between the enable and disable of a maskable interrupt. IFF2 holds the state of IFF1 effective before a nonmaskable interrupt has been accepted. Both IFF1 and IFF2 are reset to "0" when any of the following conditions occurs, disabling an interrupt:

Actually, the waiting maskable interrupt request is accepted after the execution of the instruction that follows the EI instruction. This delay by one instruction is caused by accepting an interrupt after completion of the execution of a return instruction if the instruction following the EI instruction is a return instruction. In the following operations, the contents of IFF1 and IFF2 are the same.

- MPU reset
- Execution of DI instruction
- Acceptance of maskable interrupt

Both IFF1 and IFF2 are set to "1" when the following condition occurs, enabling an interrupt:

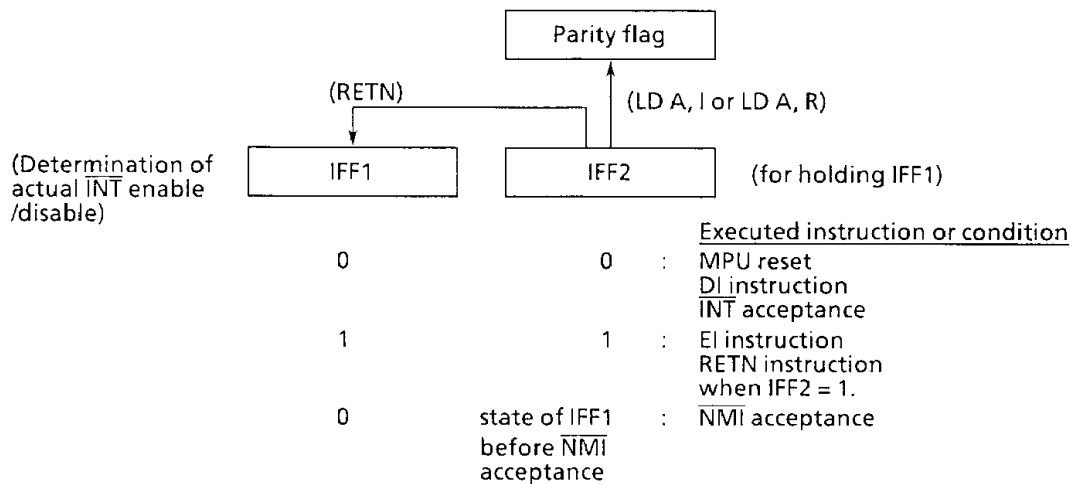
- Execution of EI instruction

Table 3.2.1 Processing by Interrupt Cause

| Interrupt Source  | Priority | Programmed condition |        | Vector address  | Interrupt return instruction |
|---|----------|----------------------|--------|---|------------------------------|
| Non-maskable interrupt<br>(the falling edge of $\overline{NMI}$ )                 | 1        | None                 |        | Address 66H   | RETN                         |
| Maskable interrupt<br>( $\overline{INT}$ becomes "0" at instruction's last clock) | 2        | IFF = 1              | Mode 0 | Instruction from peripheral LSI.<br>Normally, CALL or RST instruction.  | (Note)<br>RETI               |
|   |          |                      | Mode 1 | Address 38H.  |                              |
|   |          |                      | Mode 2 | The address indicated by the data table (memory) at the address specified by I register (high-order 8 bits) and data from peripheral LSI (low-order 8 bits, LSB = "0"). |                              |

110489

Note: Mode 0 applies when the instruction from peripheral LSI is CALL or RST instruction.



110489

Figure 3.2.4 Interrupt Enable Flip-Flop (IFF)

When a non-maskable interrupt has been accepted, IFF1 is reset to "0" (interrupt disable) until an EI or RETI instruction is executed to prevent a next interrupt accepting. For this purpose, the state (interrupt enable/disable) of IFF1 immediately before non-maskable interrupt acceptance must be stored. This state is copied into IFF2 upon acceptance of a non-maskable interrupt. The content of IFF2 is copied into the parity flag at the execution of the following instructions, so that the copied data can be tested or stored:

- The load instruction (LD A, I) to load from the I register to the accumulator.
- The load instruction (LD A, R) to load from the R register to the accumulator.

When the return instruction from the non-maskable interrupt (RETN) is executed, the content of IFF2 is copied back to IFF1. If an operation which changes the contents of IFF2 (due to the execution of EI or DI instruction, for example) has not been performed during interrupt handling, IFF1 automatically returns to the state which was effective immediately before the interrupt acceptance. Table 3.2.1 lists the states of IFF1 and IFF2 after the execution of interrupt-related instructions.

Table 3.2.1 State of IFF1 and IFF2

| Operation sequence | IFF1 | IFF2 | Remarks          |
|--------------------|------|------|------------------|
| MPU reset          | 0    | 0    |                  |
| EI                 | 1    | 1    |                  |
| NMI acceptance     | 0    | 1    |                  |
| LD A, I            | *    | *    | Parity flag←IFF2 |
| RETN               | 1    | 1    | IFF1←IFF2        |
| LD A, R            | *    | *    | Parity flag←IFF2 |
| INT acceptance     | 0    | 0    |                  |
| RETI               | *    | *    |                  |
| EI                 | 1    | 1    |                  |
| NMI acceptance     | 0    | 1    |                  |
| DI                 | 0    | 0    |                  |
| RETN               | *    | *    |                  |

Note : \* = no change.

110489

## (2) Interrupt processing

With a non-maskable interrupt, the internal NMI flip-flop is set to "1" at the falling edge of the interrupt signal,  $\overline{\text{NMI}}$ . The state of this flip-flop is sampled at the rising edge of the last clock of each instruction to accept an interrupt. A maskable interrupt is accepted if the interrupt signal  $\overline{\text{INT}}$  is low ("0") at the rising edge of the last clock of each instruction and the interrupt enabled state (IFF = 1 and  $\overline{\text{BUSREQ}}$  signal = inactive ("1")) is on. Described below is the processing to be performed after a non-maskable interrupt and a maskable interrupt are accepted:

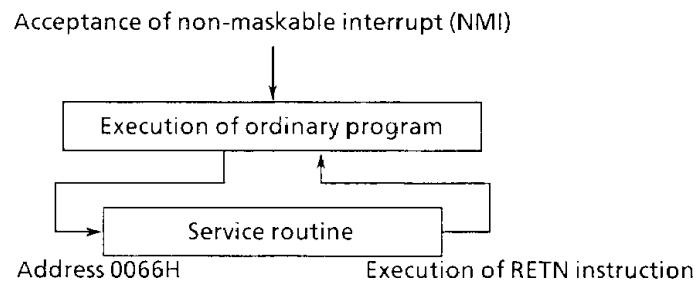
## (a) Non-maskable interrupt (NMI)

When a non-maskable interrupt has been accepted, the MPU performs the following processing:

- ① The internal NMI flip-flop is reset "0".
- ② IFF1 is reset to "0", disabling the maskable interrupt.  
The contents of the IFF1 immediately before the interrupt acceptance are copied into the IFF2.
- ③ The current contents of the program counter are saved into the stack.
- ④ The instructions starting from non-maskable interrupt vector address 66H are executed.

The non-maskable interrupt processing program terminates by executing the RETN instruction. This return instruction performs the followings:

- ① The contents of the current IFF2 are copied into IFF1.
- ② The contents of the program counter are restored from the stack.



110489

Figure 3.2.5 Non-Maskable Interrupt Processing

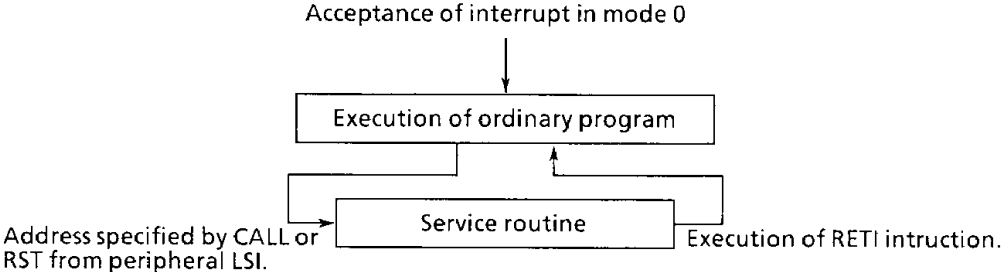
## (b) Maskable interrupt (INT)

When a maskable interrupt has been accepted, the MPU performs the following processings:

- ① Both IFF1 and IFF2 are reset to "0", disabling the maskable interrupts.
- ② The current contents of the program counter are saved into the stack.
- ③ A maskable interrupt is serviced in one of the three modes 0, 1 and 2. A mode is selected by executing the instruction IM0, IM1 or IM2 before the interrupt is serviced. The instructions are executed starting from the vector address corresponding to the selected mode.

• Mode 0

In mode 0, the interrupting peripheral LSI puts a restart instruction (RST) or a call instruction (CALL) on the data bus and the MPU executes the interrupt service routine according to that instruction.

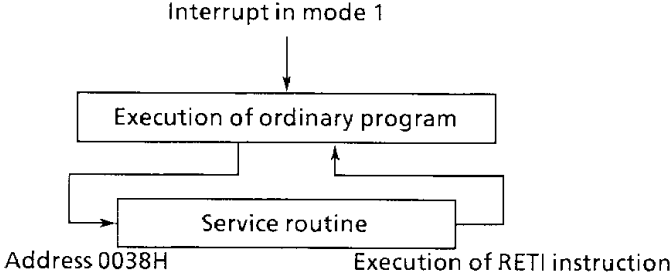


110489

Figure 3.2.6 Interrupt Processing in Mode 0

• Mode 1

When an interrupt is accepted in mode 1, restart is performed from address 0038H. Therefore, the service routine for this interrupt is programmed from the address 0038H.



110489

Figure 3.2.7 Interrupt Processing in Mode 1

- Mode 2

The interrupt processing in mode 2 requires a 16-bit pointer consisting of the high-order 8 bits of the I register and the low-order 8 bits (with the LSB = "0") of the data captured from the interrupting CTC or TLCS-Z80 family peripheral LSI. Therefore, the necessary value must be loaded in the I register beforehand. This pointer is used to specify the memory address in the table. The contents of the specified addresses and the next address provide the start address of the service routine. Therefore, use of this mode requires to present table of the service routine's start address (16 bits) by program at convenient location. This location can be anywhere in memory. The LSB of the table pointer is set to "0" because a 2-byte data is needed to specify the service routine start address just in 16 bits and start that address from an even-number address. In the table, the start address begins with the low-order byte followed by the high-order byte as shown in Figure 3.2.8

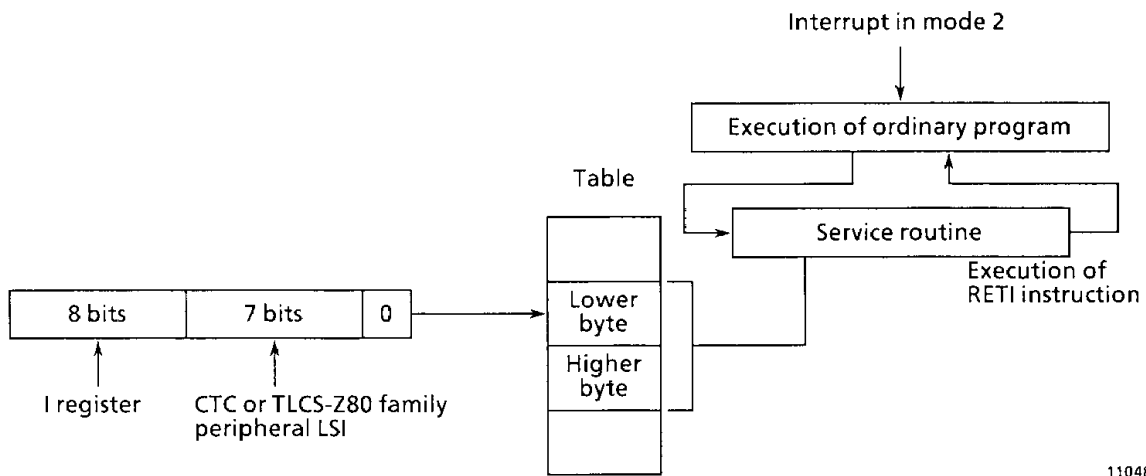


Figure 3.2.8 Interrupt Processing in Mode 2

Mode 2 is used in the daisy chain interrupt processing using the CTC and/or TLCS-Z80 family LSI. The CTC and TLCS-Z80 family peripheral LSIs all contain the interrupt priority controller of daisy chain structure. In this interrupt structure, the interrupt request signals are put in the series order and given priorities for processing when two or more maskable interrupt requests occur at a time. Only the interrupt vector from the peripheral LSI having the highest priority is put on the data bus. By receiving the vector interrupt in mode 2, the processing for that peripheral LSI can be performed. When an interrupt comes from a peripheral LSI having a priority higher than that of the current peripheral LSI during the execution of its interrupt processing routine, the new interrupt can be enabled by the EI instruction to form an interrupt nesting.

The maskable interrupt processing program terminates by executing an RETI instruction. This return instruction performs the following processing:

- Restores the content of the program counter from the stack.
- Notifies the requesting peripheral LSI of the termination of interrupt processing.

### 3.2.3 MPU Status Transition Diagram and Basic Timing

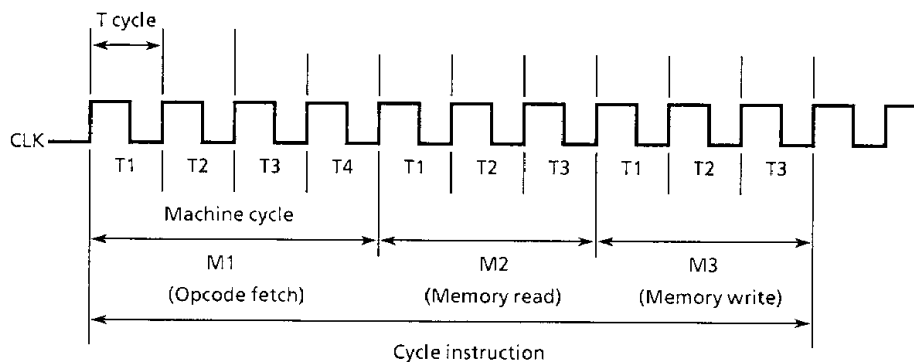
The following describes the MPU status transition and the basic timing of each MPU operation.

#### [1] Instruction Cycle

Each TMPZ84C011A instruction is executed by combining the basic operations of memory read/write, input/output, bus request/acknowledge, and interrupt. These basic operations are performed in synchronization with the system clock (the CLK signal).

One clock period is called a state (T). The smallest unit of each basic operation is called a machine cycle (M). Each instruction consists of 1 to 6 machine cycles and each machine cycle, 3 to 6 clock states basically. However, the number of clock states in a machine cycle can be increased by the  $\overline{\text{WAIT}}$  signal described later on. Figure 3.2.9 shows an example of the basic timing of a 3-machine-cycle instruction.

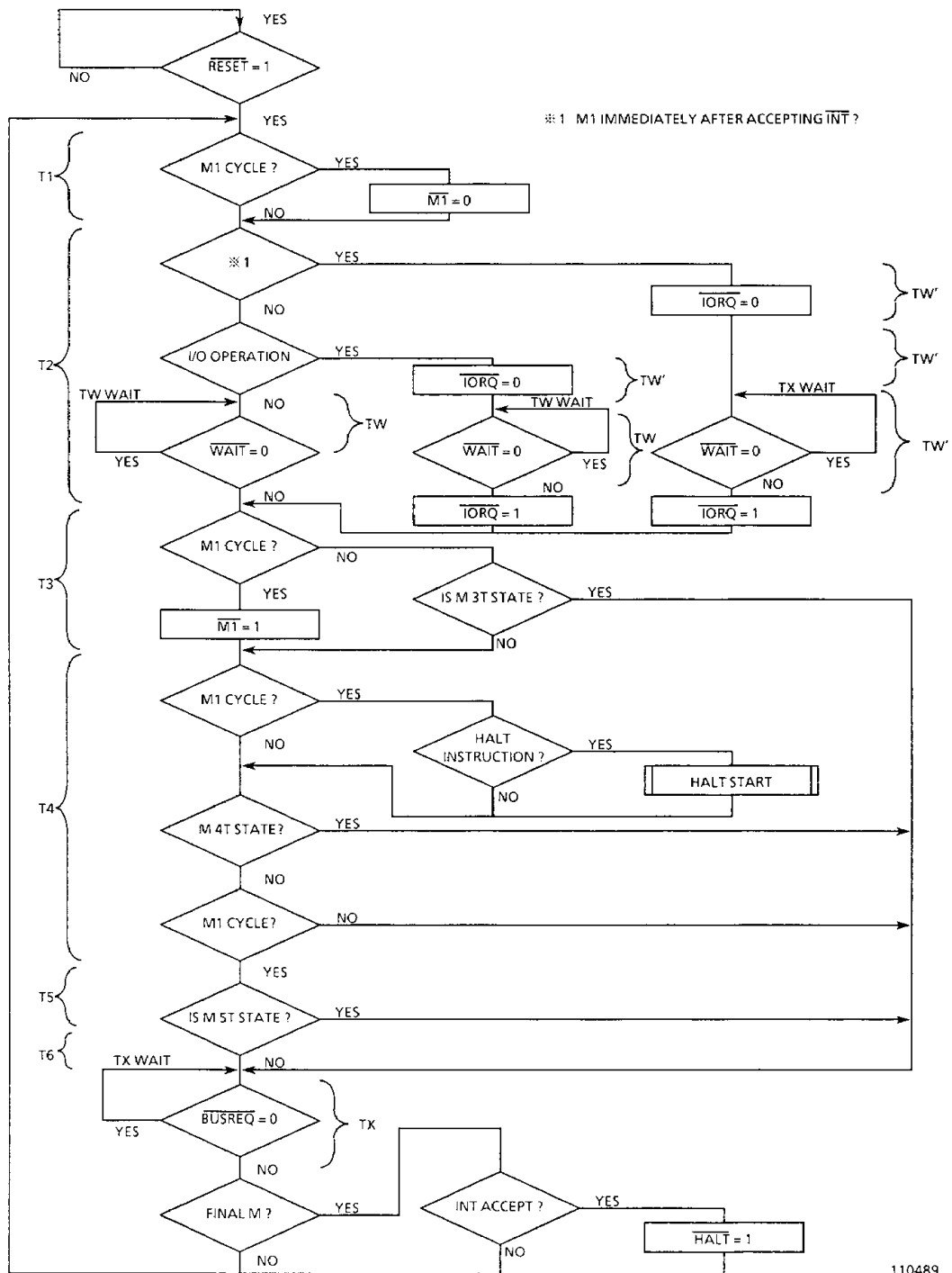
The first machine cycle (M1) of each instruction is the cycle in which the Opcode of the instruction to be executed next is read (this is called the Opcode fetch cycle). The Opcode fetch cycle basically consists of 4 to 6 clock states. In the machine cycle that follows the Opcode fetch cycle, data is transferred between the MPU and the memory or peripheral LSIs. This operation basically consists of 3 to 5 clock states.



110489

Figure 3.2.9 Example of MPU Basic Timing (3-Machine-Cycle Instruction)

[2] Status Transition Diagram



110489

Figure 3.2.10 Status Transition Diagram



## [3] Basic Timings

## (1) Opcode fetch cycle (M1)

In the Opcode fetch cycle, MPU reads an Opcode from among the machine-language codes in memory. This is also called the M1 cycle for it is the first machine cycle to execute each instruction.

Figure 3.2.11 shows the basic timing of a basic Opcode fetch cycle. In clock state T1, the content of the program counter is put on the address bus. The  $\overline{M1}$  signal goes "0", telling the outside the MPU that this is the Opcode fetch cycle. At the same time,  $\overline{MREQ}$  and  $\overline{RD}$  signals go "0". When the  $\overline{MREQ}$  signal goes "0", the address signal has already been stabilized. Therefore, this signal can be used for the memory chip enable signal. The  $\overline{RD}$  signal indicates that the MPU is ready to accept the data from memory. By these signals, the MPU accesses memory to put the Opcode in the instruction register. The MPU samples the  $\overline{WAIT}$  signal at the falling edge of clock state T2. If the  $\overline{WAIT}$  signal is "0" at the falling edges of clock state T2 and the following wait state ( $T_W$ ), the next state becomes clock state  $T_W$ . Figure 3.2.12 shows the delay state of the Opcode fetch cycle caused by the  $\overline{WAIT}$  signal.

The data (Opcode) on the data bus is fetched at the rising edge of clock state T3 then, at the rising edges of the same state, the  $\overline{MREQ}$ ,  $\overline{RD}$ , and  $\overline{M1}$  signals go "1". In clock state T3, a memory refresh address is put on the low-order 7 bits of the address bus and the  $\overline{RFSH}$  signal goes "0" and the  $\overline{MREQ}$  signal goes "0" again. This signal indicates that the memory refresh cycle is on. At this time, the contents of the I register are on the high-order 8 bits of the address bus and the 7 bits of the R register contents are on the low-order 7 bits of the address bus. By using the  $\overline{RFSH}$  and  $\overline{MREQ}$  signals, memory refresh is performed in clock states T3 and T4. However, the  $\overline{RD}$  signal remains "1" because the contents of the memory refresh address are not put on the data bus.

In clock state T4, the  $\overline{MREQ}$  signal returns to "1". The refresh address is kept output until the rising edge of the clock state T1 of the next machine cycle, during which the  $\overline{RFSH}$  signal is also "0". The cycle delay state caused by setting the  $\overline{WAIT}$  signal to "0" is the same with the memory read/write, input/output, and maskable interrupt acknowledge cycles. The following description the diagram of the cycle delay state caused by the  $\overline{WAIT}$  signal's going "0" is omitted.

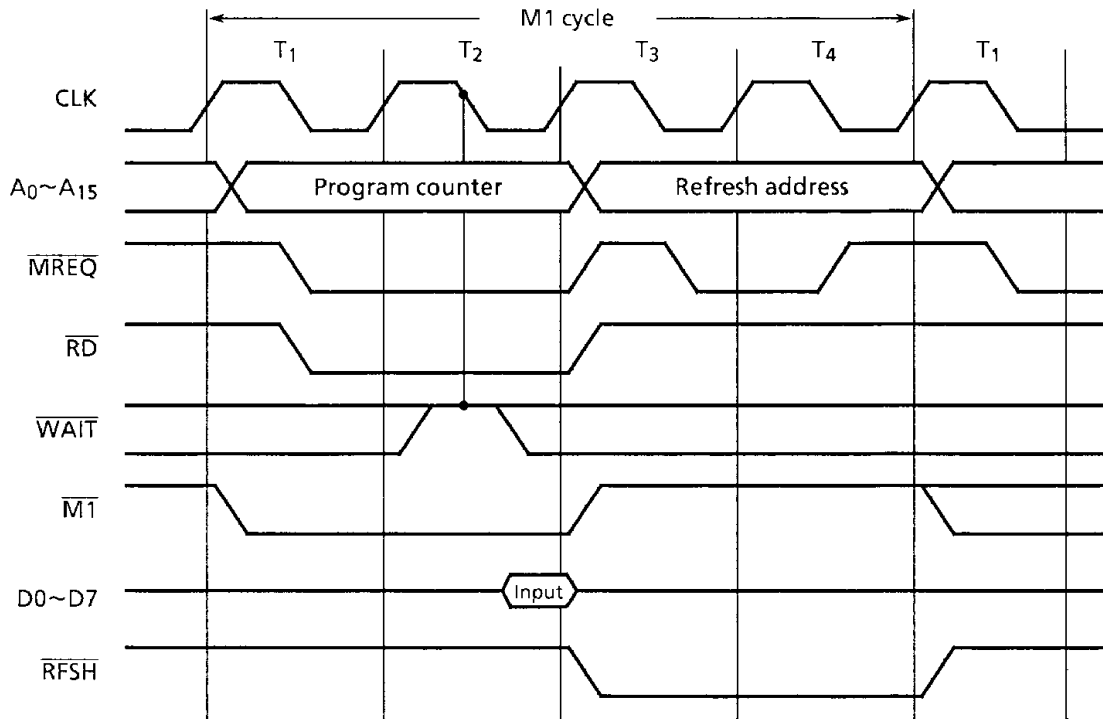


Figure 3.2.11 Opcode Fetch Timing

110489

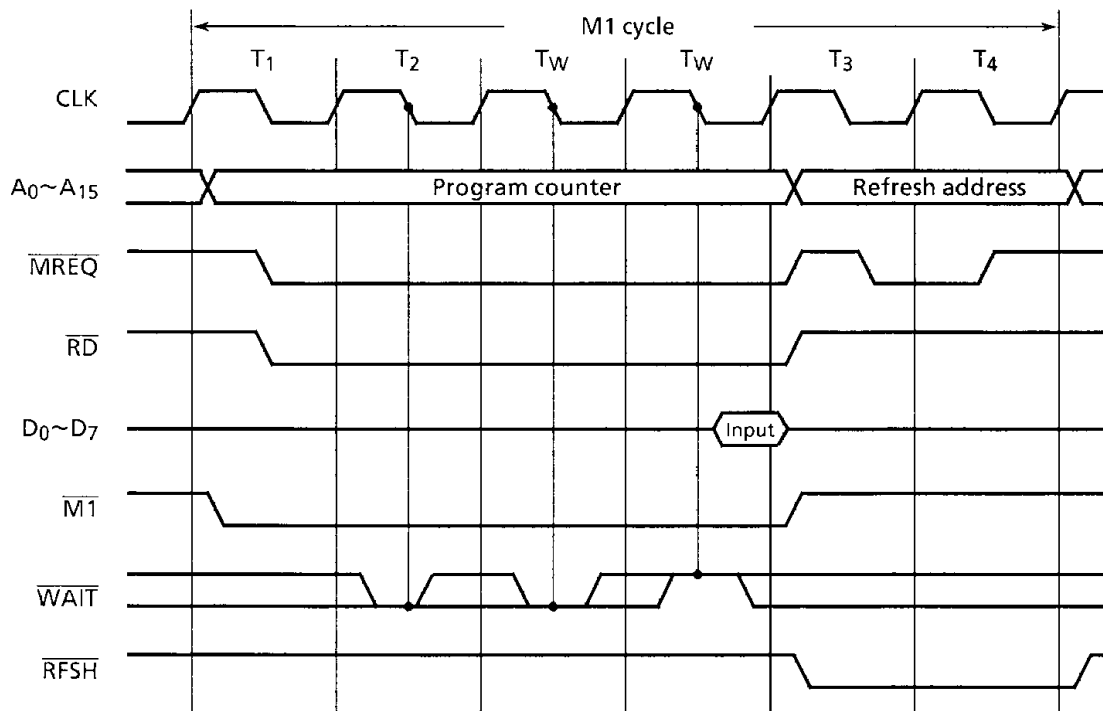


Figure 3.2.12 Opcode Fetch Timing Including Wait State

110489

(2) Memory read/write operations

Figure 3.2.13 shows the basic timing of memory read/write operations (except for the Opcode fetch cycle) in the same diagram for convenience.

In each case, the memory address signal to read/write data on the address bus is output in clock state T1. The operation in which the  $\overline{\text{WAIT}}$  signal is sampled in clock state T2 and the following  $T_W$  state is the same as the Opcode fetch cycle.

In memory read, memory data is put on the data bus by the address,  $\overline{\text{MREQ}}$ , and  $\overline{\text{RD}}$  signals. The MPU reads this data.

In memory write, the memory address signals is put on the address bus then the  $\overline{\text{MREQ}}$  signal is set to "0" to put the write data onto the data bus. When the data bus has been stabilized, the  $\overline{\text{WR}}$  signal is output in clock state T2. The  $\overline{\text{WR}}$  signal can be used for the memory write signal.

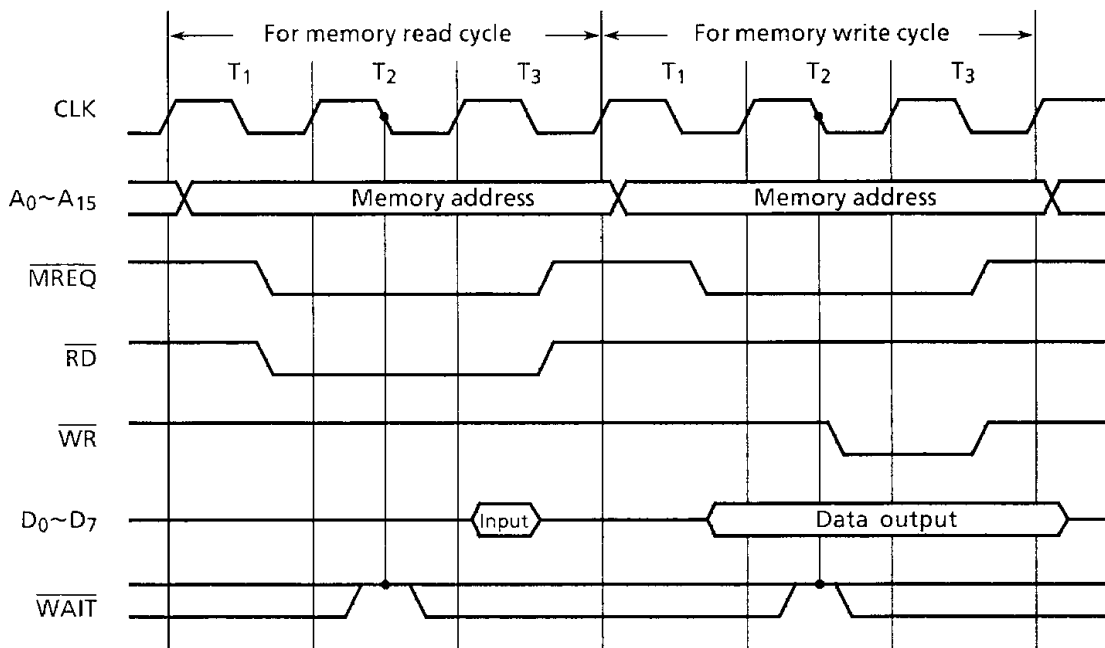


Figure 3.2.13 Memory Read / Write Cycle Timing



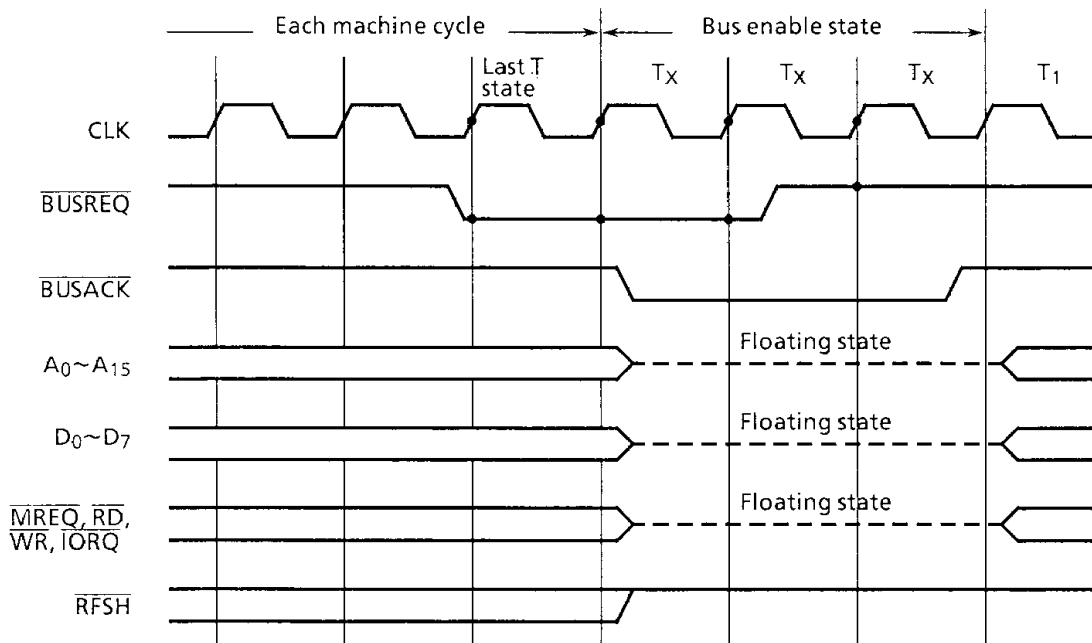
(4) Bus request and bus acknowledge operations

Figure 3.2.15 shows the basic timings of bus request and bus acknowledge operations.

The 3-state address bus (A0 through A15), data bus (D0 through D7),  $\overline{\text{MREQ}}$ ,  $\overline{\text{IORQ}}$ ,  $\overline{\text{RD}}$ , and  $\overline{\text{WR}}$  signals controlled by the MPU can be put in the high-impedance state (floating) to electrically disconnect them from the MPU. This operation, by sampling the  $\overline{\text{BUSREQ}}$  signal at the rising edge of the last clock of each machine cycle, starts with the rising edge of the next clock if this signal is found "0". Subsequently, these buses are controlled by peripheral LSIs. For example, data can be directly transferred between memory and these peripheral LSIs. This state is cleared if the  $\overline{\text{BUSREQ}}$  signal is found "1" by sampling it at the rising edge of each subsequent clock state ( $T_X$ ), executing the next machine cycle. During the floating state, the  $\overline{\text{BUSACK}}$  signal is "0" to tell the peripheral LSIs of it.

In this state, however, no memory refresh is performed and, therefore, the  $\overline{\text{RFSH}}$  signal is set to "1". Hence, to maintain this state for a long time with a system using dynamic memory, memory refresh must be performed by the external controller.

Note that, in the floating state, neither maskable (INT) nor non-maskable (NMI) interrupts can be accepted.



110489

Figure 3.2.15 Bus Request and Bus Acknowledge Timing

## (5) Maskable interrupt acknowledge operation

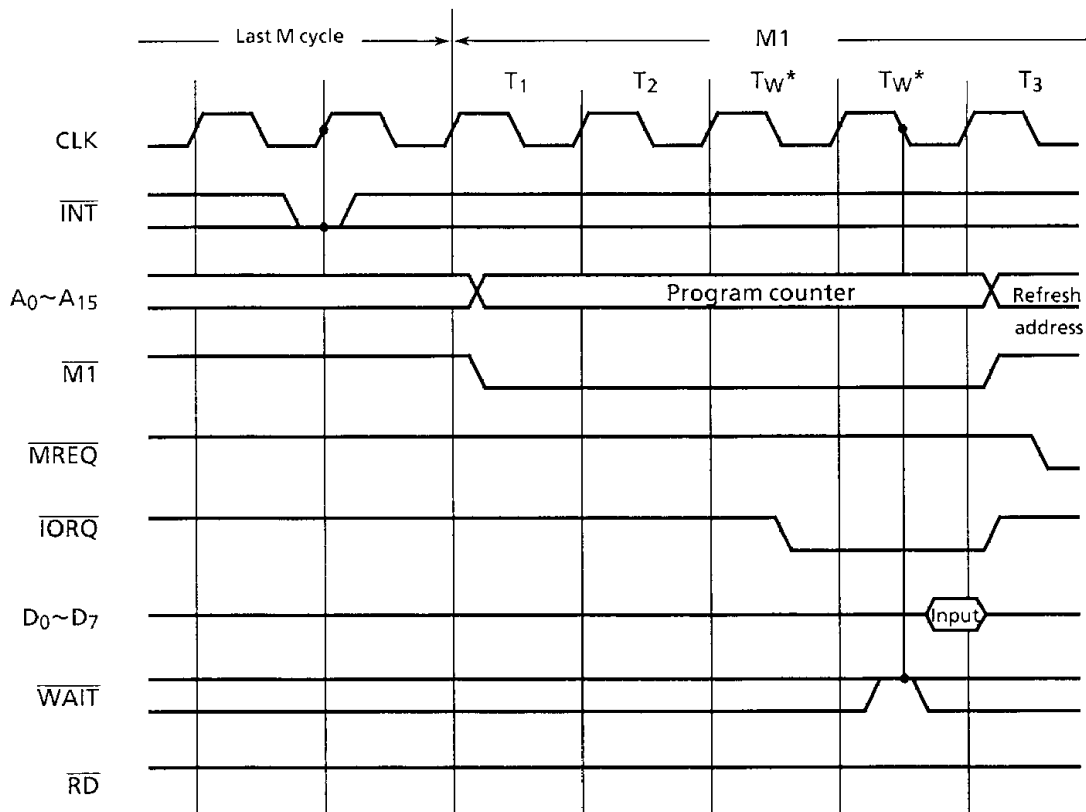
Figure 3.2.16 shows the basic timing of the maskable interrupt acknowledge.

The MPU samples the maskable interrupt request signal ( $\overline{\text{INT}}$ ) at the rising edge of the last clock of each instruction execution. If the  $\overline{\text{INT}}$  signal is found "0", a maskable interrupt is accepted except in the following cases:

- The interrupt enable flip-flop is reset to "0".
- The  $\overline{\text{BUSREQ}}$  signal is "0".

When a maskable interrupt has been accepted, a special Opcode fetch cycle is generated. In this cycle, 2 clock states of wait state ( $T_W^*$ ) is automatically inserted after the clock state T2. The  $\overline{\text{WAIT}}$  signal is sampled at the falling edge of the second clock state  $T_W^*$  and the following clock state  $T_W$  and, if the  $\overline{\text{WAIT}}$  signal is found "0", the instruction cycle gets in the next clock state  $T_W$ . In this Opcode fetch cycle, the  $\overline{\text{IORQ}}$  signal goes "0" in the first  $T_W^*$  state instead of the  $\overline{\text{MREQ}}$  signal while in a normal Opcode fetch cycle the  $\overline{\text{MREQ}}$  signal goes "0" in clock state T1. This tells the maskable interrupt requesting LSI that it can put the 8-bit interrupt vector on the data bus, then reads this data to perform interrupt processing. Therefore, the contents of the program counter put on the address bus are not used. Unlike an ordinary I/O operation, the  $\overline{\text{RD}}$  signal does not go "0".

In the clock state T3, the memory refresh address signal is put on the address bus for memory refresh like normal Opcode fetch cycle and the  $\overline{\text{RFSH}}$  signal goes "0". In the subsequent machine cycles (M2 and M3), the current contents of the program counter are saved into the stack. In the machine cycles M4 and M5, the contents of the I register (the high-order 8 bits) and the contents of the address indicated by the address of the vector (the low-order 8 bits) from the CTC or the peripheral LSIs connected externally are put in the program counter.



120489

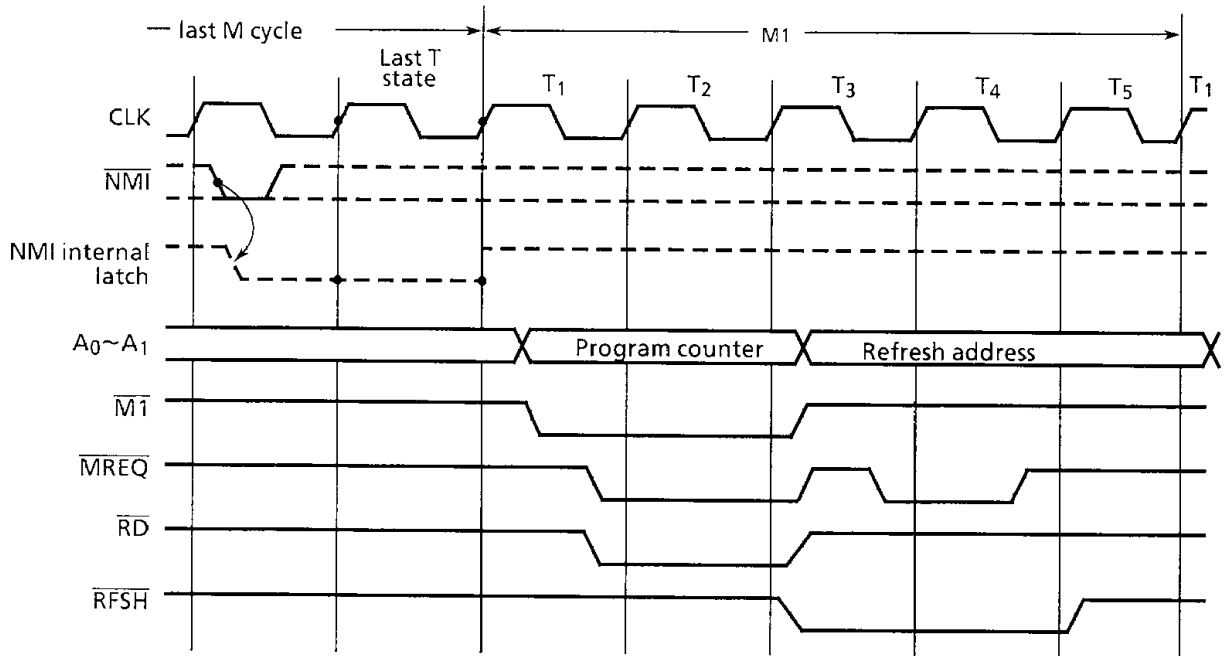
Figure 3.2.16 Maskable Interrupt Acknowledge Timing

(6) Non-maskable interrupt acknowledge operation

Figure 3.2.17 shows the basic timing of non-maskable interrupt acknowledge.

When the non-maskable interrupt request signal ( $\overline{\text{NMI}}$ ) goes low, the internal non-maskable flip-flop is set to "1". The  $\overline{\text{NMI}}$  signal is detected in any timing of each instruction. However, the internal NMI flip-flop is sampled at the rising edge of the last clock of each instruction. Therefore, the  $\overline{\text{NMI}}$  signal should go low until the last clock state of an instruction

The Opcode fetch cycle for non-maskable interrupt acknowledge is generally the same as the ordinary Opcode fetch cycle. However, the Opcode on the data bus at the time is ignored. The current contents of the program counter are saved into the stack in the subsequent machine cycles (M2 and M3). In the following machine cycle, the operation jumps to address 0066H, the non-maskable interrupt vector address. The machine cycles after these depend on the contents of the fetched Opcode.



120489

Figure 3.2.17 Non-Maskable Interrupt Acknowledge Timing



## (7) Halt operation

Having fetched a HALT instruction in the Opcode fetch cycle, the MPU sets the  $\overline{\text{HALT}}$  signal to "0" in synchronization with the falling edge of clock state T4 to tell peripheral LSIs of the fetch and stops operating. If the system clock is kept supplied in the halt state, the MPU continues executing NOP instructions. This is done to output refresh signals when the memory is used. The NOP instruction execution cycle is the same as the ordinary Opcode fetch cycle in which the data on the data bus are ignored.

The halt state is cleared when an interrupt is accepted or the  $\overline{\text{RESET}}$  signal is set to "0" to reset the MPU. Figure 3.2.18 shows the halt state clear operation by interrupt acknowledge. An interrupt is sampled at the rising edge of the last clock (clock state T4) of the NOP instruction. A maskable interrupt can be accepted when the  $\overline{\text{INT}}$  signal is "0". A non-maskable interrupt is accepted when the internal NMI flip-flop which is set at the falling edge of the  $\overline{\text{NMI}}$  signal is set at "1". However, it is required that the interrupt enable flip-flop is set to "1" for a maskable interrupt to be accepted. The interrupt processing for the type of the accepted interrupt gets started from the following cycle.

However, when the supply of the system clock from the CGC has been stopped by the power down operation, it is required to restart the supply of the system clock and input the  $\overline{\text{INT}}$  signal until the execution of one instruction is completed or the  $\overline{\text{RESET}}$  signal at least 3 clocks are output. Figure 3.2.9 shows the timing of clearing the halt state caused by power down.

For the reset operation, see (8) "Reset operation" below. Note that the  $\overline{\text{INT}}$  and  $\overline{\text{NMI}}$  signals are shown on the same diagram in Figures 3.2.18 and 3.2.19 for convenience.

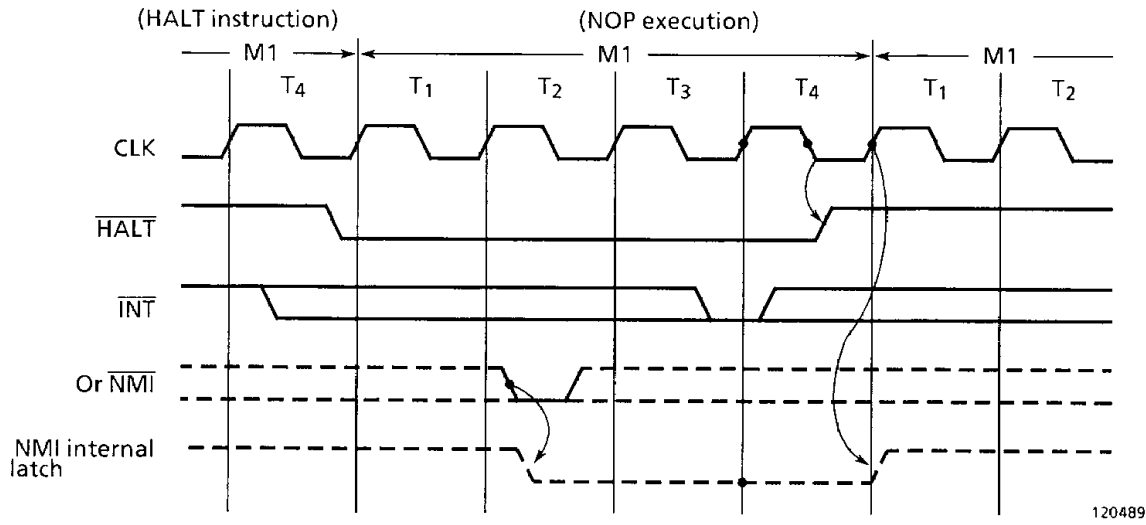


Figure 3.2.18 Timing of Clearing Halt State Caused by Interrupt Acknowledge

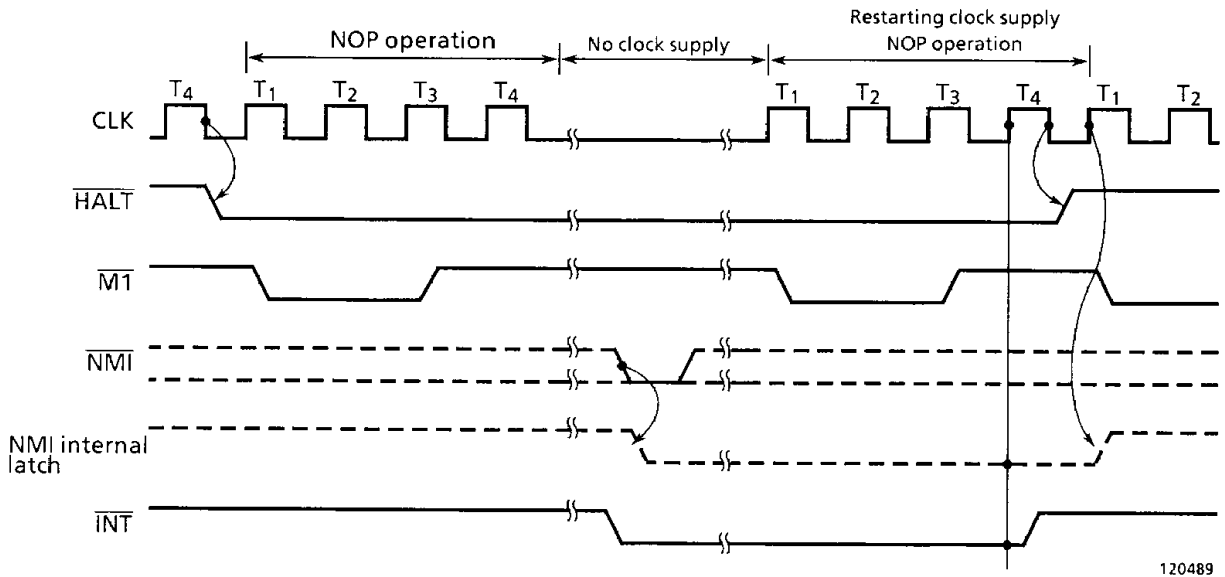
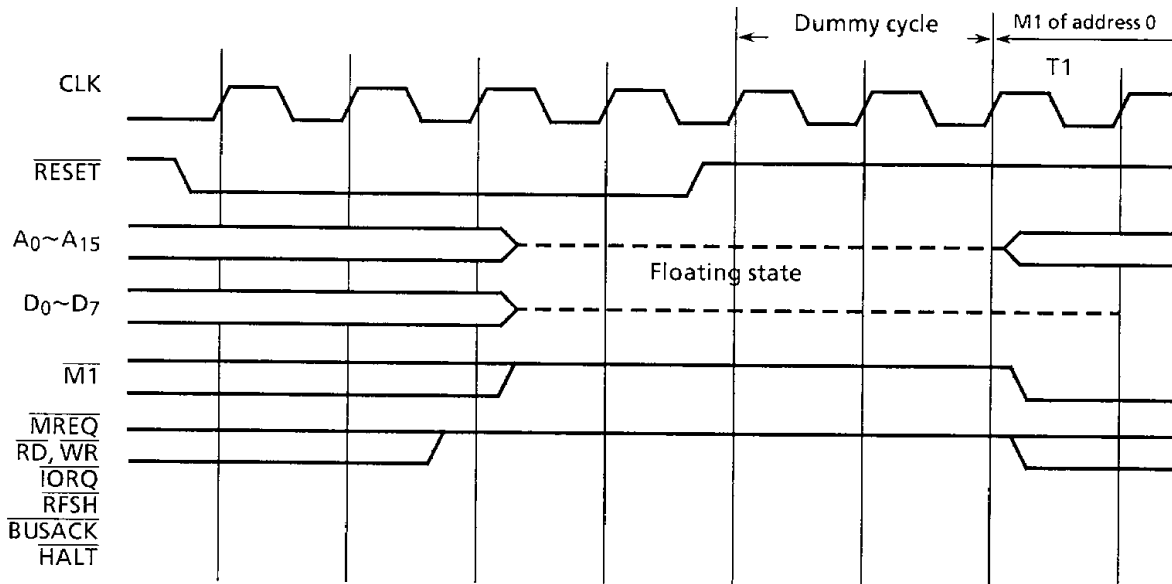


Figure 3.2.19 Timing of Clearing Halt State Caused by Power Down

(8) Reset operation

Figure 3.2.20 shows the basic timing of reset operation.

To reset the MPU, the  $\overline{\text{RESET}}$  signal must be kept at “0” for at least 3 clocks. When the  $\overline{\text{RESET}}$  signal goes “1”, instruction execution starts from address 0000H after a dummy cycle of at least 2 clock states.



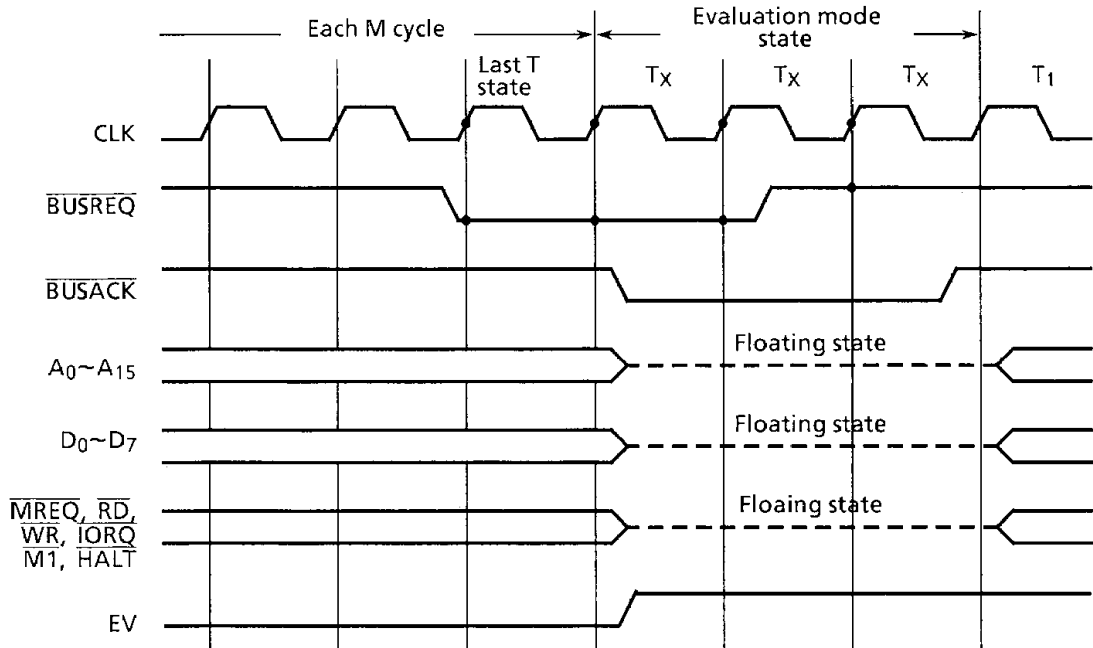
120489

Figure 3.2.20 Reset Timing

To clear the power down state by the  $\overline{\text{RESET}}$  signal, the  $\overline{\text{RESET}}$  signal must be input until 3 clocks or more are supplied by restarting the supply of the system clock from the CGC.

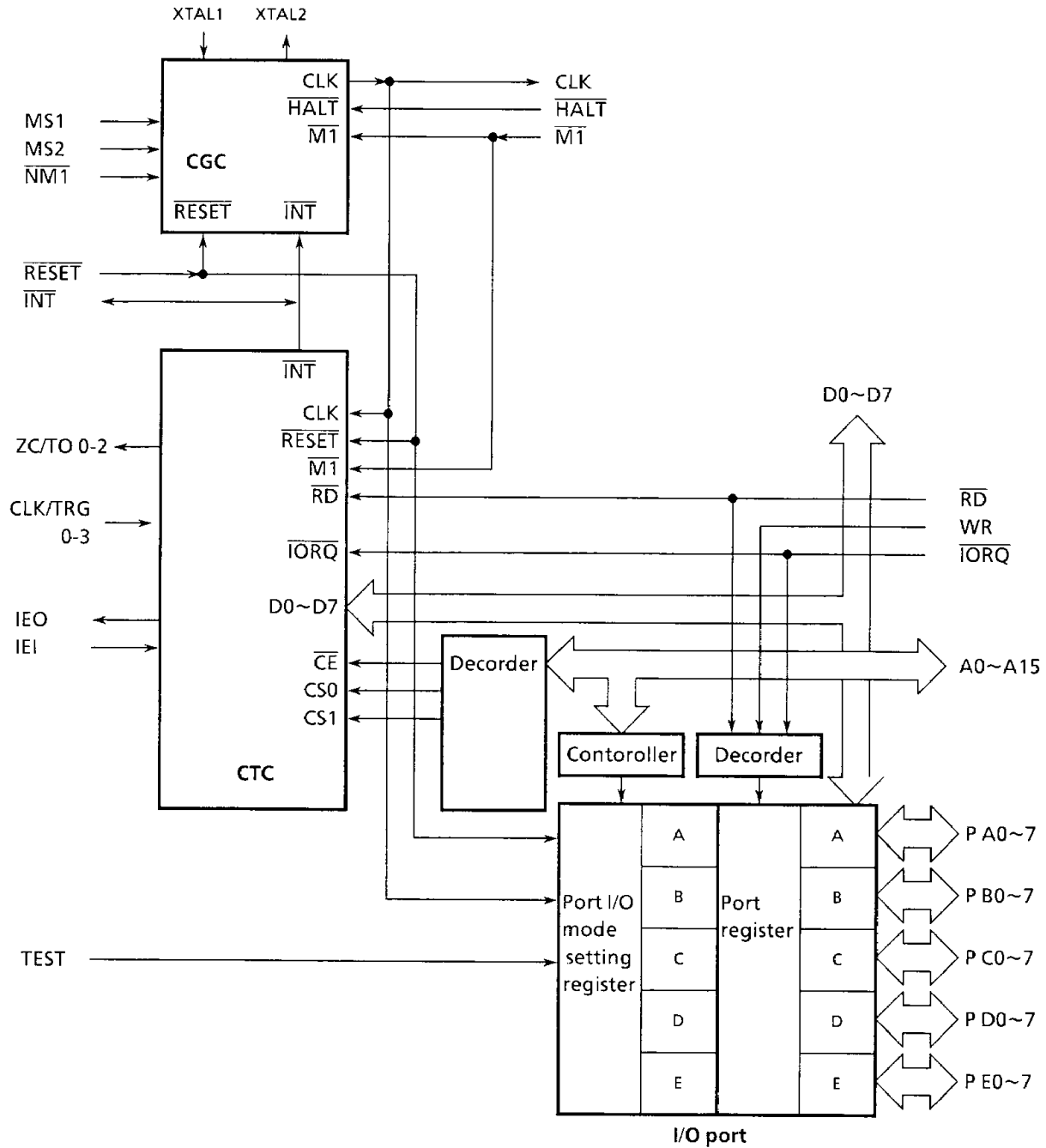
(9) Evaluation operation

Each of the MPU signals (A0 through A15, D0 through D7,  $\overline{\text{MREQ}}$ ,  $\overline{\text{IORQ}}$ ,  $\overline{\text{RD}}$ ,  $\overline{\text{WR}}$ ,  $\overline{\text{HALT}}$  and  $\overline{\text{M1}}$ ) can be put in the high-impedance state by EV and  $\overline{\text{BUSREQ}}$  signals to electrically disconnect them from the system.



120489

Figure 3.2.21 Evaluation Timing



120489

Figure 3.2.22 Block Diagram of the TMPZ84C011A Functioning As Evaluator

## 3.2.4 TMPZ84C011A Instruction Set

This subsection lists the TMPZ84C011A instruction codes and their functions. The table below lists the symbols and abbreviations used to describe the instruction set. The symbols which require special attention are described in the locations in which they appear.

- Symbols (1/2)

| Classification | Symbol          | Meaning   |
|----------------|-----------------|---|
| Register       | r, g            | Register B, C, D, E, H, L, A,   |
|                | t               | Register pair BC, DE, HL<br>Stack pointer SP                                      |
|                | q               | Register pair BC, DE, HL, AF  |
|                | p               | Register pair BC, DE<br>Index register IX<br>Stack pointer SP                     |
|                | s               | Register pair BC, DE<br>Index register IY<br>Stack pointer SP                     |
|                | t <sub>H</sub>  | Higher register of register pair (B, D, H)<br>Higher 8 bits of stack pointer (SP) |
|                | q <sub>H</sub>  | Higher register of register pair (B, D, H, A)                                     |
|                | IX <sub>H</sub> | Higher 8 bits of index register IX  |
|                | IY <sub>H</sub> | Higher 8 bits of index register IY  |
|                | PC <sub>H</sub> | Higher 8 bits of program counter (PC)   |
|                | t <sub>L</sub>  | Lower register of register pair (C, E, L)<br>Lower 8 bits of stack pointer (SP)   |
|                | q <sub>L</sub>  | Lower register of register pair (C, E, L, F)                                      |
|                | IX <sub>L</sub> | Lower 8 bits of index register IX   |
|                | IY <sub>L</sub> | Lower 8 bits of index register IY   |
|                | PC <sub>L</sub> | Lower 8 bits of program counter (PC)  |
|                | rb              | Bit b (0-7) of register (B, C, D, E, H, L, A)                                     |

120489

- Symbols (2/2)

| Classification     | Symbol  | Meaning  |
|--------------------|---|--|
| Memory             | mn<br>(HL) <sub>b</sub><br>(IX + d) <sub>b</sub><br>(IY + d) <sub>b</sub> | Memory address represented in 16 bits.<br>m indicates higher 8 bits and n, lower 8 bits.<br>Bit b (0-7) of the contents of the memory address indicated by register pair HL.<br>Bit b (0-7) of the contents of the memory address indicated by the value obtained by adding 8-bit data d to the content of index register IX.<br>Bit b (0-7) of the contents of the memory address indicated by the value obtained by adding 8-bit data d to the content of index register IY. |
| Flag change symbol | 0<br>1<br>-<br>*<br>X<br>P<br><br>V                                       | Reset to "0" by operation.<br>Set to "1" by operation.<br>No change<br>Affected by operation<br>Undefined<br>Handled as parity flag.<br>P = 0: odd parity<br>P = 1: even parity<br><br>Handled as overflow flag.<br>V = 0: No overflow<br>V = 1: Overflow  |
| Operator           | ←<br>↔<br>+<br>-<br>^<br>v<br>⊕   | Transfer<br>Exchange<br>Add<br>Subtract<br>Logical and between bits.<br>Logical or between bits.<br>Exclusive or between bits  |
| Others             | IFF<br>CY<br>Z  | Interrupt enable flip-flop<br>Carry flag<br>Zero flag  |

120489

TMPZ84C011A Instruction Set (1/9)

| ITEM/<br>CLASSI-<br>FICATION | Assembler<br>mnemonic    | Object code  |                    | Function | Flag |   |   |     |   |     |   | No.<br>OF<br>CY-<br>CLES | No.<br>OF<br>STA-<br>TES |    |
|------------------------------|--------------------------|--|--------------------|----------|------|---|---|-----|---|-----|---|--------------------------|--------------------------|----|
|                              |                          | Binary   | Hex                |          | S    | Z | H | P/V | N | C   |   |                          |                          |    |
|                              |                          | 76 543 210   |                    |          |      |   |   |     |   |     |   |                          |                          |    |
| 8 - BIT<br>DATA<br>LOAD      | LD r,g                   | 01 rrr ggg   | 40+r×8+g           | r←g      | -    | - | X | -   | X | -   | - | -                        | 1                        | 4  |
|                              | LD r,n                   | 00 rrr 110<br>nn nnn nnn                             | 06+r×8<br>n        | r←n      | -    | - | X | -   | X | -   | - | -                        | 2                        | 7  |
|                              | LD r,(HL)                | 01 rrr 110   | 46+r×8             | r←(HL)   | -    | - | X | -   | X | -   | - | -                        | 2                        | 7  |
|                              | LD r,(IX+d)              | 11 011 101<br>01 rrr 110<br>dd ddd ddd               | DD<br>46+r×8<br>d  | r←(IX+d) | -    | - | X | -   | X | -   | - | -                        | 5                        | 19 |
|                              | LD r,(IY+d)              | 11 111 101<br>01 rrr 110<br>dd ddd ddd               | FD<br>46+r×8<br>d  | r←(IY+d) | -    | - | X | -   | X | -   | - | -                        | 5                        | 19 |
|                              | LD (HL),r                | 01 110 rrr   | 70+r               | (HL)←r   | -    | - | X | -   | X | -   | - | -                        | 2                        | 7  |
|                              | LD (IX+d),r              | 11 011 101<br>01 110 rrr<br>dd ddd ddd               | DD<br>70+r<br>d    | (IX+d)←r | -    | - | X | -   | X | -   | - | -                        | 5                        | 19 |
|                              | LD (IY+d),r              | 11 111 101<br>01 110 rrr<br>dd ddd ddd               | FD<br>70+r<br>d    | (IY+d)←r | -    | - | X | -   | X | -   | - | -                        | 5                        | 19 |
|                              | LD (HL),n                | 00 110 110<br>nn nnn nnn                             | 36<br>n            | (HL)←n   | -    | - | X | -   | X | -   | - | -                        | 3                        | 10 |
|                              | LD (IX+d),n              | 11 011 101<br>00 110 110<br>dd ddd ddd<br>nn nnn nnn | DD<br>36<br>d<br>n | (IX+d)←n | -    | - | X | -   | X | -   | - | -                        | 5                        | 19 |
|                              | LD (IY+d),n              | 11 111 101<br>00 110 110<br>dd ddd ddd<br>nn nnn nnn | FD<br>36<br>d<br>n | (IY+d)←n | -    | - | X | -   | X | -   | - | -                        | 5                        | 19 |
|                              | LD A,(BC)                | 00 001 010   | 9A                 | A←(BC)   | -    | - | X | -   | X | -   | - | -                        | 2                        | 7  |
|                              | LD A,(DE)                | 00 011 010   | 1A                 | A←(DE)   | -    | - | X | -   | X | -   | - | -                        | 2                        | 7  |
|                              | LD A,(mn)                | 00 111 010<br>nn nnn nnn<br>mm mmm mmm               | 3A<br>n<br>m       | A←(mn)   | -    | - | X | -   | X | -   | - | -                        | 4                        | 13 |
|                              | LD (BC),A                | 00 000 010   | 02                 | (BC)←A   | -    | - | X | -   | X | -   | - | -                        | 2                        | 7  |
|                              | LD (DE),A                | 00 010 010   | 12                 | (DE)←A   | -    | - | X | -   | X | -   | - | -                        | 2                        | 7  |
|                              | LD (mn),A                | 00 110 010<br>nn nnn nnn<br>mm mmm mmm               | 32<br>n<br>m       | (mn)←A   | -    | - | X | -   | X | -   | - | -                        | 4                        | 13 |
|                              | LD A,I                   | 11 101 101<br>01 010 111                             | ED<br>57           | A←I      | *    | * | X | 0   | X | IFF | 0 | -                        | 2                        | 9  |
|                              | LD A,R                   | 11 101 101<br>01 011 111                             | ED<br>5F           | A←R      | *    | * | X | 0   | X | IFF | 0 | -                        | 2                        | 9  |
|                              | LD I,A                   | 11 101 101<br>01 000 111                             | ED<br>47           | I←A      | -    | - | X | -   | X | -   | - | -                        | 2                        | 9  |
| LD R,A                       | 11 101 101<br>01 001 111 | ED<br>4F   | R←A                | -        | -    | X | - | X   | - | -   | - | 2                        | 9                        |    |
| 16-BIT<br>DATA<br>LOAD       | LD t,mn                  | 00 tt0 001<br>nn nnn nnn<br>mm mmm mmm               | 01+t×10<br>n<br>m  | t←mn     | -    | - | X | -   | X | -   | - | -                        | 3                        | 10 |
|                              | LD IX,mn                 | 11 011 101<br>00 100 001<br>nn nnn nnn<br>mm mmm mmm | DD<br>21<br>n<br>m | IX←mn    | -    | - | X | -   | X | -   | - | -                        | 4                        | 14 |

|   |     |
|---|-----|
| r | rrr |
| g | ggg |
| B | 000 |
| C | 001 |
| D | 010 |
| E | 011 |
| H | 100 |
| L | 101 |
| A | 111 |

|    |    |
|----|----|
| t  | tt |
| BC | 00 |
| DE | 01 |
| HL | 10 |
| SP | 11 |

Note : r,g means any of the registers A, B, C, D, E, H, L.  
IFF in "Flag" column indicates that the content of the interrupt enable flip-flop is copied into the P/V flag.



TMPZ84C011A Instruction Set (2/9)

| ITEM/<br>CLASSI-<br>FICA-<br>TION | Assembler<br>mnemonic | Object code  |                         | Function                          | Flag |   |   |     |   |   | No.<br>OF<br>CY-<br>CLES | No.<br>OF<br>STA-<br>TES |   |    |
|-----------------------------------|-----------------------|--|-------------------------|-----------------------------------|------|---|---|-----|---|---|--------------------------|--------------------------|---|----|
|                                   |                       | Binary   | Hex                     |                                   | S    | Z | H | P/V | N | C |                          |                          |   |    |
|                                   |                       | 76 543 210   |                         |                                   |      |   |   |     |   |   |                          |                          |   |    |
| 16-BIT DATA LOAD                  | LD IY, mn             | 11 111 101<br>00 100 001<br>nn nnn nnn<br>mm mmm mmm | FD<br>21<br>n<br>m      | IY+mn                             | -    | - | X | -   | X | - | -                        | -                        | 4 | 14 |
|                                   | LD HL, (mn)           | 00 101 010<br>nn nnn nnn<br>mm mmm mmm               | 2A<br>n<br>m            | H+(mn+1)<br>L+(mn)                | -    | - | X | -   | X | - | -                        | -                        | 5 | 16 |
|                                   | LD t, (mn)            | 11 101 101<br>01 tt1 011<br>nn nnn nnn<br>mm mmm mmm | ED<br>4B+t×10<br>n<br>m | tH+(mn+1)<br>tL+(mn)              | -    | - | X | -   | X | - | -                        | -                        | 6 | 20 |
|                                   | LD IX, (mn)           | 11 011 101<br>00 101 010<br>nn nnn nnn<br>mm mmm mmm | DD<br>2A<br>n<br>m      | IXH+(mn+1)<br>IXL+(mn)            | -    | - | X | -   | X | - | -                        | -                        | 6 | 20 |
|                                   | LD IY, (mn)           | 11 111 101<br>00 101 010<br>nn nnn nnn<br>mm mmm mmm | FD<br>2A<br>n<br>m      | IYH+(mn+1)<br>IYL+(mn)            | -    | - | X | -   | X | - | -                        | -                        | 6 | 20 |
|                                   | LD (mn), HL           | 00 100 010<br>nn nnn nnn<br>mm mmm mmm               | 22<br>n<br>m            | (mn+1)+H<br>(mn)-L                | -    | - | X | -   | X | - | -                        | -                        | 5 | 16 |
|                                   | LD (mn), t            | 11 101 101<br>01 tt0 011<br>nn nnn nnn<br>mm mmm mmm | ED<br>43+t×10<br>n<br>m | (mn+1)+tH<br>(mn)+tL              | -    | - | X | -   | X | - | -                        | -                        | 6 | 20 |
|                                   | LD (mn), IX           | 11 011 101<br>00 100 010<br>nn nnn nnn<br>mm mmm mmm | DD<br>22<br>n<br>m      | (mn+1)+IXH<br>(mn)-IXL            | -    | - | X | -   | X | - | -                        | -                        | 6 | 20 |
|                                   | LD (mn), IY           | 11 111 101<br>00 100 010<br>nn nnn nnn<br>mm mmm mmm | FD<br>22<br>n<br>m      | (mn+1)+IYH<br>(mn)-IYL            | -    | - | X | -   | X | - | -                        | -                        | 6 | 20 |
|                                   | LD SP, HL             | 11 111 001   | F9                      | SP+HL                             | -    | - | X | -   | X | - | -                        | -                        | 1 | 6  |
|                                   | LD SP, IX             | 11 011 101<br>11 111 001                             | DD<br>F9                | SP+IX                             | -    | - | X | -   | X | - | -                        | -                        | 2 | 10 |
|                                   | LD SP, IY             | 11 111 101<br>11 111 001                             | FD<br>F9                | SP+IY                             | -    | - | X | -   | X | - | -                        | -                        | 2 | 10 |
|                                   | PUSH q                | 11 qq0 101   | C5+q×10                 | {SP-2}+qL, {SP-1}+qH,<br>SP-SP-2  | -    | - | X | -   | X | - | -                        | -                        | 3 | 11 |
|                                   | PUSH IX               | 11 011 101<br>11 100 101                             | DD<br>E5                | {SP-2}+IXL, {SP-1}+IXH<br>SP+SP-2 | -    | - | X | -   | X | - | -                        | -                        | 4 | 15 |
|                                   | PUSH IY               | 11 111 101<br>11 100 101                             | FD<br>E5                | {SP-2}+IYL, {SP-1}+IYH<br>SP+SP-2 | -    | - | X | -   | X | - | -                        | -                        | 4 | 15 |
|                                   | POP q                 | 11 qq0 001   | C1+q×10                 | qH+(SP+1), qL+(SP),<br>SP+SP+2    | -    | - | X | -   | X | - | -                        | -                        | 3 | 10 |
|                                   | POP IX                | 11 011 101<br>11 100 001                             | DD<br>E1                | IXH+(SP+1), IXL+(SP)<br>SP+SP+2   | -    | - | X | -   | X | - | -                        | -                        | 4 | 14 |
|                                   | POP IY                | 11 111 101<br>11 100 001                             | FD<br>E1                | IYH+(SP+1), IYL+(SP)<br>SP+SP+2   | -    | - | X | -   | X | - | -                        | -                        | 4 | 14 |
|                                   | *1 EX DE, HL          | 11 101 011   | EB                      | DE↔HL                             | -    | - | X | -   | X | - | -                        | -                        | 1 | 4  |
|                                   | EX AF, AF'            | 00 001 000   | 08                      | AF↔AF'                            | -    | - | X | -   | X | - | -                        | -                        | 1 | 4  |
| EXX                               | 11 011 001            | D9   | BC↔BC', DE↔DE', HL↔HL'  | -                                 | -    | X | - | X   | - | - | -                        | 1                        | 4 |    |

|    |    |
|----|----|
| t  | tt |
| BC | 00 |
| DE | 01 |
| HL | 10 |
| SP | 11 |

|    |    |
|----|----|
| q  | qq |
| BC | 00 |
| DE | 01 |
| HL | 10 |
| AF | 11 |

Note : t is any of the register pairs BC, DE, HL, SP.  
q is any of the register pairs AF, BC, DE, HL.  
(PAIR)<sub>H</sub>, (PAIR)<sub>L</sub> refer to high order and low order eight bits of the register pair respectively. (Ex) BC<sub>L</sub> = C, AF<sub>H</sub> = A.  
\*1 : EXCHANGE

TMPZ84C011A Instruction Set (3/9)

| ITEM/<br>CLASSI-<br>FICATION   | Assembler<br>mnemonic | Object code |     | Function | Flag                        |   |    |    |     |   |    | No.<br>OF<br>CY-<br>CLES | No.<br>OF<br>STA-<br>TES |     |    |    |  |
|--------------------------------|-----------------------|-------------|-----|----------|-----------------------------|---|----|----|-----|---|----|--------------------------|--------------------------|-----|----|----|--|
|                                |                       | Binary      |     |          | Hex                         | S   | Z  | H  | P/V | N | C  |                          |                          |     |    |    |  |
|                                |                       | 76          | 543 |          |                             |   |    |    |     |   |    |                          |                          | 210 |    |    |  |
| EXCHANGE                       | EX (SP),HL            | 11          | 100 | 011      | E3                          | H $\leftrightarrow$ (SP+1),L $\leftrightarrow$ (SP) | -  | -  | X   | - | X  | -                        | -                        | -   | 5  | 19 |  |
|                                | EX (SP),IX            | 11          | 011 | 101      | DD                          | IX $\leftrightarrow$ (SP+1)                         | -  | -  | X   | - | X  | -                        | -                        | -   | 6  | 23 |  |
|                                |                       | 11          | 100 | 011      | E3                          | IX $\leftrightarrow$ (SP)                           | -  | -  | X   | - | X  | -                        | -                        | -   | 6  | 23 |  |
|                                | EX (SP),IY            | 11          | 111 | 101      | FD                          | IY $\leftrightarrow$ (SP+1)                         | -  | -  | X   | - | X  | -                        | -                        | -   | 6  | 23 |  |
|                                |                       | 11          | 100 | 011      | E3                          | IY $\leftrightarrow$ (SP)                           | -  | -  | X   | - | X  | -                        | -                        | -   | 6  | 23 |  |
| BLOCK TRANSFER<br>BLOCK SEARCH | LDI                   | 11          | 101 | 101      | ED                          | (DE)+(HL),DE+DE+1                                   | -  | -  | X   | 0 | X  | *M                       | 0                        | -   | 4  | 16 |  |
|                                |                       | 10          | 100 | 000      | A0                          | HL+HL+1,BC+BC-1                                     | -  | -  | X   | 0 | X  | 0                        | 0                        | -   | 5  | 21 |  |
|                                | LDIR                  | 11          | 101 | 101      | ED                          | (DE)+(HL),DE+DE+1                                   | -  | -  | X   | 0 | X  | 0                        | 0                        | -   | 4  | 16 |  |
|                                |                       | 10          | 110 | 000      | B0                          | HL+HL+1,BC+BC-1 Repeat until BC=0                   | -  | -  | X   | 0 | X  | 0                        | 0                        | -   | 4  | 16 |  |
|                                | LDD                   | 11          | 101 | 101      | ED                          | (DE)+(HL),DE+DE-1                                   | -  | -  | X   | 0 | X  | *M                       | 0                        | -   | 4  | 16 |  |
|                                |                       | 10          | 101 | 000      | A8                          | HL+HL-1,BC+BC-1                                     | -  | -  | X   | 0 | X  | 0                        | 0                        | -   | 5  | 21 |  |
|                                | LDDR                  | 11          | 101 | 101      | ED                          | (DE)+(HL),DE+DE-1                                   | -  | -  | X   | 0 | X  | 0                        | 0                        | -   | 4  | 16 |  |
|                                |                       | 10          | 111 | 000      | B8                          | HL+HL-1,BC+BC-1 Repeat until BC=0                   | -  | -  | X   | 0 | X  | 0                        | 0                        | -   | 4  | 16 |  |
|                                | CPI                   | 11          | 101 | 101      | ED                          | A-(HL)  | *  | *N | X   | * | X  | *M                       | 1                        | -   | 4  | 16 |  |
|                                |                       | 10          | 100 | 001      | A1                          | HL+HL+1,BC+BC-1                                     | -  | -  | X   | 0 | X  | 0                        | 0                        | -   | 5  | 21 |  |
| CPIR                           | 11                    | 101         | 101 | ED       | A-(HL),HL+HL+1,BC+BC-1      | *   | *N | X  | *   | X | *M | 1                        | -                        | 4   | 16 |    |  |
|                                | 10                    | 110         | 001 | B1       | Repeat until A=(HL) or BC=0 | -   | -  | X  | 0   | X | 0  | 0                        | -                        | 5   | 21 |    |  |
| CPD                            | 11                    | 101         | 101 | ED       | A-(HL)                      | *   | *N | X  | *   | X | *M | 1                        | -                        | 4   | 16 |    |  |
|                                | 10                    | 101         | 001 | A9       | HL+HL-1,BC+BC-1             | -   | -  | X  | 0   | X | 0  | 0                        | -                        | 5   | 21 |    |  |
| CPDR                           | 11                    | 101         | 101 | ED       | A-(HL),HL+HL-1,BC+BC-1      | *   | *N | X  | *   | X | *M | 1                        | -                        | 4   | 16 |    |  |
|                                | 10                    | 111         | 001 | B9       | Repeat until A=(HL) or BC=0 | -   | -  | X  | 0   | X | 0  | 0                        | -                        | 5   | 21 |    |  |
| 8-BIT ARITHMETIC AND LOGICAL   | ADD A,r               | 10          | 000 | rrr      | 80+r                        | A+A+r   | *  | *  | X   | * | X  | V                        | 0                        | *   | 1  | 4  |  |
|                                | ADD A,n               | 11          | 000 | 110      | C6                          | A+A+n   | *  | *  | X   | * | X  | V                        | 0                        | *   | 2  | 7  |  |
|                                |                       | nn          | nnn | nnn      | n                           |   |    |    |     |   |    |                          |                          |     |    |    |  |
|                                | ADD A,(HL)            | 10          | 000 | 110      | B6                          | A+A+(HL)  | *  | *  | X   | * | X  | V                        | 0                        | *   | 2  | 7  |  |
|                                | ADD A,(IX+d)          | 11          | 011 | 101      | DD                          | A+A+(IX+d)  | *  | *  | X   | * | X  | V                        | 0                        | *   | 5  | 19 |  |
|                                |                       | 10          | 000 | 110      | B6                          |   |    |    |     |   |    |                          |                          |     |    |    |  |
|                                |                       | dd          | ddd | ddd      | d                           |   |    |    |     |   |    |                          |                          |     |    |    |  |
|                                | ADD A,(IY+d)          | 11          | 111 | 101      | FD                          | A+A+(IY+d)  | *  | *  | X   | * | X  | V                        | 0                        | *   | 5  | 19 |  |
|                                |                       | 10          | 000 | 110      | B6                          |   |    |    |     |   |    |                          |                          |     |    |    |  |
|                                |                       | dd          | ddd | ddd      | d                           |   |    |    |     |   |    |                          |                          |     |    |    |  |
|                                | ADC A,r               | 10          | 001 | rrr      | 88+r                        | A+A+r+CY  | *  | *  | X   | * | X  | V                        | 0                        | *   | 1  | 4  |  |
|                                | ADC A,n               | 11          | 001 | 110      | CE                          | A+A+n+CY  | *  | *  | X   | * | X  | V                        | 0                        | *   | 2  | 7  |  |
|                                |                       | nn          | nnn | nnn      | n                           |   |    |    |     |   |    |                          |                          |     |    |    |  |
|                                | ADC A,(HL)            | 10          | 001 | 110      | BE                          | A+A+(HL)+CY   | *  | *  | X   | * | X  | V                        | 0                        | *   | 2  | 7  |  |
|                                | ADC A,(IX+d)          | 11          | 011 | 101      | DD                          | A+A+(IX+d)+CY                                       | *  | *  | X   | * | X  | V                        | 0                        | *   | 5  | 19 |  |
|                                |                       | 10          | 001 | 110      | BE                          |   |    |    |     |   |    |                          |                          |     |    |    |  |
|                                | dd                    | ddd         | ddd | d        |                             |   |    |    |     |   |    |                          |                          |     |    |    |  |
| ADC A,(IY+d)                   | 11                    | 111         | 101 | FD       | A+A+(IY+d)+CY               | *   | *  | X  | *   | X | V  | 0                        | *                        | 5   | 19 |    |  |
|                                | 10                    | 001         | 110 | BE       |                             |   |    |    |     |   |    |                          |                          |     |    |    |  |
|                                | dd                    | ddd         | ddd | d        |                             |   |    |    |     |   |    |                          |                          |     |    |    |  |
| SUB r                          | 10                    | 010         | rrr | 90+r     | A-A-r                       | *   | *  | X  | *   | X | V  | 1                        | *                        | 1   | 4  |    |  |
| SUB n                          | 11                    | 010         | 110 | D6       | A-A-n                       | *   | *  | X  | *   | X | V  | 1                        | *                        | 2   | 7  |    |  |
|                                | nn                    | nnn         | nnn | n        |                             |   |    |    |     |   |    |                          |                          |     |    |    |  |
| SUB (HL)                       | 10                    | 010         | 110 | 96       | A-A-(HL)                    | *   | *  | X  | *   | X | V  | 1                        | *                        | 2   | 7  |    |  |
| SUB (IX+d)                     | 11                    | 011         | 101 | DD       | A-A-(IX+d)                  | *   | *  | X  | *   | X | V  | 1                        | *                        | 5   | 19 |    |  |
|                                | 10                    | 010         | 110 | 96       |                             |   |    |    |     |   |    |                          |                          |     |    |    |  |
|                                | dd                    | ddd         | ddd | d        |                             |   |    |    |     |   |    |                          |                          |     |    |    |  |
| SUB (IY+d)                     | 11                    | 111         | 101 | FD       | A-A-(IY+d)                  | *   | *  | X  | *   | X | V  | 1                        | *                        | 5   | 19 |    |  |
|                                | 10                    | 010         | 110 | 96       |                             |   |    |    |     |   |    |                          |                          |     |    |    |  |
|                                | dd                    | ddd         | ddd | d        |                             |   |    |    |     |   |    |                          |                          |     |    |    |  |

+[BC<>0]  
+[BC=0]  
+[BC<>0 & A<>(HL)]  
\*[BC=0 or A=(HL)]  
+[BC<>0 & A<>(HL)]  
\*[BC=0 or A=(HL)]

|   |     |
|---|-----|
| r | rrr |
| B | 000 |
| C | 001 |
| D | 010 |
| E | 011 |
| H | 100 |
| L | 101 |
| A | 111 |

Note : \*M P/V flag is 0 if the result of BC-1=0, otherwise P/V=1.  
\*N Z flag is 1 if A=(HL), otherwise Z=0.  
[ ] indicates the total condition of the number of cycles and states indicated by arrow.  
r means any of the registers A, B, C, D, E, H, L.

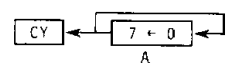
TMPZ84C011A Instruction Set (4/9)

| ITEM/<br>CLASSI-<br>FICATION                             | Assembler<br>mnemonic | Object code |     | Function | Flag            |               |   |   |     |   |   |   | No.<br>OF<br>CY-<br>CLES | No.<br>OF<br>STA-<br>TES |     |     |   |     |     |
|--|-----------------------|-------------|-----|----------|-----------------|---------------|---|---|-----|---|---|---|--------------------------|--------------------------|-----|-----|---|-----|-----|
|  |                       | Binary      |     |          | Hex             | S             | Z | H | P/V | N | C | r |                          |                          | rrr |     |   |     |     |
|  |                       | 76          | 543 |          |                 |               |   |   |     |   |   |   |                          |                          |     | 210 |   |     |     |
| 8 - BIT<br>A R I T H M E T I C<br>A N D<br>L O G I C A L | SBC A,r               | 10          | 011 | rrr      | 98+r            | A←A-r-CY      | * | * | X   | * | X | V | 1                        | *                        | 1   | 4   | r | rrr |     |
|  | SBC A,n               | 11          | 011 | 110      | DE              | A←A-n-CY      | * | * | X   | * | X | V | 1                        | *                        | 2   | 7   | B | 000 |     |
|  |                       |             | nn  | nnn      | nnn             | n             |   |   |     |   |   |   |                          |                          |     |     |   | C   | 001 |
|  | SBC A,(HL)            | 10          | 011 | 110      | 9E              | A←A-(HL)-CY   | * | * | X   | * | X | V | 1                        | *                        | 2   | 7   | D | 010 |     |
|  | SBC A,(IX+d)          | 11          | 011 | 101      | DD              | A←A-(IX+d)-CY | * | * | X   | * | X | V | 1                        | *                        | 5   | 19  | E | 011 |     |
|  |                       |             | 10  | 011      | 110             | 9E            |   |   |     |   |   |   |                          |                          |     |     |   | H   | 100 |
|  |                       |             | dd  | ddd      | ddd             | d             |   |   |     |   |   |   |                          |                          |     |     |   | L   | 101 |
|  | SBC A,(IY+d)          | 11          | 111 | 101      | FD              | A←A-(IY+d)-CY | * | * | X   | * | X | V | 1                        | *                        | 5   | 19  | A | 111 |     |
|  |                       |             | 10  | 011      | 110             | 9E            |   |   |     |   |   |   |                          |                          |     |     |   |     |     |
|  |                       |             | dd  | ddd      | ddd             | d             |   |   |     |   |   |   |                          |                          |     |     |   |     |     |
|  | AND r                 | 10          | 100 | rrr      | A0+r            | A←A∧r         | * | * | X   | 1 | X | P | 0                        | 0                        | 1   | 4   |   |     |     |
|  | AND n                 | 11          | 100 | 110      | E6              | A←A∧n         | * | * | X   | 1 | X | P | 0                        | 0                        | 2   | 7   |   |     |     |
|  |                       |             | nn  | nnn      | nnn             | n             |   |   |     |   |   |   |                          |                          |     |     |   |     |     |
|  | AND (HL)              | 10          | 100 | 110      | A6              | A←A∧(HL)      | * | * | X   | 1 | X | P | 0                        | 0                        | 2   | 7   |   |     |     |
|  | AND (IX+d)            | 11          | 011 | 101      | DD              | A←A∧(IX+d)    | * | * | X   | 1 | X | P | 0                        | 0                        | 5   | 19  |   |     |     |
|  |                       |             | 10  | 100      | 110             | A6            |   |   |     |   |   |   |                          |                          |     |     |   |     |     |
|  |                       |             | dd  | ddd      | ddd             | d             |   |   |     |   |   |   |                          |                          |     |     |   |     |     |
|  | AND (IY+d)            | 11          | 111 | 101      | FD              | A←A∧(IY+d)    | * | * | X   | 1 | X | P | 0                        | 0                        | 5   | 19  |   |     |     |
|  |                       |             | 10  | 100      | 110             | A6            |   |   |     |   |   |   |                          |                          |     |     |   |     |     |
|  |                       |             | dd  | ddd      | ddd             | d             |   |   |     |   |   |   |                          |                          |     |     |   |     |     |
|  | OR r                  | 10          | 110 | rrr      | B0+r            | A←A∨r         | * | * | X   | 0 | X | P | 0                        | 0                        | 1   | 4   |   |     |     |
|  | OR n                  | 11          | 110 | 110      | F6              | A←A∨n         | * | * | X   | 0 | X | P | 0                        | 0                        | 2   | 7   |   |     |     |
|  |                       |             | nn  | nnn      | nnn             | n             |   |   |     |   |   |   |                          |                          |     |     |   |     |     |
|  | OR (HL)               | 10          | 110 | 110      | B6              | A←A∨(HL)      | * | * | X   | 0 | X | P | 0                        | 0                        | 2   | 7   |   |     |     |
|  | OR (IX+d)             | 11          | 011 | 101      | DD              | A←A∨(IX+d)    | * | * | X   | 0 | X | P | 0                        | 0                        | 5   | 19  |   |     |     |
|  |                       |             | 10  | 110      | 110             | B6            |   |   |     |   |   |   |                          |                          |     |     |   |     |     |
|  |                       |             | dd  | ddd      | ddd             | d             |   |   |     |   |   |   |                          |                          |     |     |   |     |     |
|  | OR (IY+d)             | 11          | 111 | 101      | FD              | A←A∨(IY+d)    | * | * | X   | 0 | X | P | 0                        | 0                        | 5   | 19  |   |     |     |
|  |                       | 10          | 110 | 110      | B6              |               |   |   |     |   |   |   |                          |                          |     |     |   |     |     |
|  |                       | dd          | ddd | ddd      | d               |               |   |   |     |   |   |   |                          |                          |     |     |   |     |     |
| XOR r  | 10                    | 101         | rrr | A8+r     | A←A⊕r           | *             | * | X | 0   | X | P | 0 | 0                        | 1                        | 4   |     |   |     |     |
| XOR n  | 11                    | 101         | 110 | EE       | A←A⊕n           | *             | * | X | 0   | X | P | 0 | 0                        | 2                        | 7   |     |   |     |     |
|  |                       | nn          | nnn | nnn      | n               |               |   |   |     |   |   |   |                          |                          |     |     |   |     |     |
| XOR (HL)   | 10                    | 101         | 110 | AE       | A←A⊕(HL)        | *             | * | X | 0   | X | P | 0 | 0                        | 2                        | 7   |     |   |     |     |
| XOR (IX+d)   | 11                    | 011         | 101 | DD       | A←A⊕(IX+d)      | *             | * | X | 0   | X | P | 0 | 0                        | 5                        | 19  |     |   |     |     |
|  |                       | 10          | 101 | 110      | AE              |               |   |   |     |   |   |   |                          |                          |     |     |   |     |     |
|  |                       | dd          | ddd | ddd      | d               |               |   |   |     |   |   |   |                          |                          |     |     |   |     |     |
| XOR (IY+d)   | 11                    | 111         | 101 | FD       | A←A⊕(IY+d)      | *             | * | X | 0   | X | P | 0 | 0                        | 5                        | 19  |     |   |     |     |
|  |                       | 10          | 101 | 110      | AE              |               |   |   |     |   |   |   |                          |                          |     |     |   |     |     |
|  |                       | dd          | ddd | ddd      | d               |               |   |   |     |   |   |   |                          |                          |     |     |   |     |     |
| CP r   | 10                    | 111         | rrr | B8+r     | A-r             | *             | * | X | *   | X | V | 1 | *                        | 1                        | 4   |     |   |     |     |
| CP n   | 11                    | 111         | 110 | FE       | A-n             | *             | * | X | *   | X | V | 1 | *                        | 2                        | 7   |     |   |     |     |
|  |                       | nn          | nnn | nnn      | n               |               |   |   |     |   |   |   |                          |                          |     |     |   |     |     |
| CP (HL)  | 10                    | 111         | 110 | BE       | A-(HL)          | *             | * | X | *   | X | V | 1 | *                        | 2                        | 7   |     |   |     |     |
| CP (IX+d)  | 11                    | 011         | 101 | DD       | A-(IX+d)        | *             | * | X | *   | X | V | 1 | *                        | 5                        | 19  |     |   |     |     |
|  |                       | 10          | 111 | 110      | BE              |               |   |   |     |   |   |   |                          |                          |     |     |   |     |     |
|  |                       | dd          | ddd | ddd      | d               |               |   |   |     |   |   |   |                          |                          |     |     |   |     |     |
| CP (IY+d)  | 11                    | 111         | 101 | FD       | A-(IY+d)        | *             | * | X | *   | X | V | 1 | *                        | 5                        | 19  |     |   |     |     |
|  |                       | 10          | 111 | 110      | BE              |               |   |   |     |   |   |   |                          |                          |     |     |   |     |     |
|  |                       | dd          | ddd | ddd      | d               |               |   |   |     |   |   |   |                          |                          |     |     |   |     |     |
| INC r  | 00                    | rrr         | 100 | 04+r×8   | r←r+1           | *             | * | X | *   | X | V | 0 | -                        | 1                        | 4   |     |   |     |     |
| INC (HL)   | 00                    | 110         | 100 | 34       | (HL)←(HL)+1     | *             | * | X | *   | X | V | 0 | -                        | 3                        | 11  |     |   |     |     |
| INC (IX+d)   | 11                    | 011         | 101 | DD       | (IX+d)←(IX+d)+1 | *             | * | X | *   | X | V | 0 | -                        | 6                        | 23  |     |   |     |     |
|  |                       | 00          | 110 | 100      | 34              |               |   |   |     |   |   |   |                          |                          |     |     |   |     |     |
|  |                       | dd          | ddd | ddd      | d               |               |   |   |     |   |   |   |                          |                          |     |     |   |     |     |

Note : r means any of the registers A, B, C, D, E, H, L.

120489

TMPZ84C011A Instruction Set (5/9)

| ITEM/CLASSIFICATION                        | Assembler mnemonic | Object code |         | Function  | Flag |   |   |   |     |   | No. OF CYCLES | No. OF STATES |    |    |     |     |
|--|--------------------|-------------|---------|---|------|---|---|---|-----|---|---------------|---------------|----|----|-----|-----|
|  |                    | Binary      |         |   | Hex  | S | Z | H | P/V | N |               |               | C  | r  | rrr |     |
|  |                    | 76          | 543     |   |      |   |   |   |     |   |               |               |    |    |     | 210 |
| 8-BIT ARITHMETIC AND LOGICAL               | INC (IY+d)         | 11 111 101  | FD      | (IY+d)+(IY+d)+1   | *    | * | X | * | X   | V | 0             | -             | 6  | 23 |     |     |
|  |                    | 00 110 100  | 34      |   |      |   |   |   |     |   |               |               |    |    |     |     |
|  |                    | dd ddd ddd  | d       |   |      |   |   |   |     |   |               |               |    |    |     |     |
|  | DEC r              | 00 rrr 101  | 05+r×8  | r-r-1   | *    | * | X | * | X   | V | 1             | -             | 1  | 4  | r   | rrr |
|  | DEC (HL)           | 00 110 101  | 35      | (HL)+(HL)-1   | *    | * | X | * | X   | V | 1             | -             | 3  | 11 | B   | 000 |
| 8-BIT ARITHMETIC AND LOGICAL               | DEC (IX+d)         | 11 011 101  | DD      | (IX+d)+(IX+d)-1   | *    | * | X | * | X   | V | 1             | -             | 6  | 23 | C   | 001 |
|  |                    | 00 110 101  | 35      |   |      |   |   |   |     |   |               |               |    |    | D   | 010 |
|  |                    | dd ddd ddd  | d       |   |      |   |   |   |     |   |               |               |    |    | E   | 011 |
|  | DEC (IY+d)         | 11 111 101  | FD      | (IY+d)+(IY+d)-1   | *    | * | X | * | X   | V | 1             | -             | 6  | 23 | H   | 100 |
|  |                    | 00 110 101  | 35      |   |      |   |   |   |     |   |               |               |    |    | L   | 101 |
|  | dd ddd ddd         | d           |         |   |      |   |   |   |     |   |               |               |    | A  | 111 |     |
| GENERAL-PURPOSE ARITHMETIC AND MPU CONTROL | DAA                | 00 100 111  | 27      | Decimal adjust accumulator  | *    | * | X | * | X   | P | -             | *             | 1  | 4  |     |     |
|  | CPL                | 00 101 111  | 2F      | A← $\bar{A}$  | -    | - | X | 1 | X   | - | 1             | -             | 1  | 4  |     |     |
|  | NEG                | 11 101 101  | ED      | A←0-A   | *    | * | X | * | X   | V | 1             | *             | 2  | 8  |     |     |
|  |                    | 01 000 100  | 44      |   |      |   |   |   |     |   |               |               |    |    |     |     |
|  | CCF                | 00 111 111  | 3F      | CY←CY   | -    | - | X | X | X   | - | 0             | *             | 1  | 4  |     |     |
|  | SCF                | 00 110 111  | 37      | CY←1  | -    | - | X | 0 | X   | - | 0             | 1             | 1  | 4  |     |     |
|  | NOP                | 00 000 000  | 00      | no operation  | -    | - | X | - | X   | - | -             | -             | 1  | 4  |     |     |
|  | HALT               | 01 110 110  | 76      | MPU Halted  | -    | - | X | - | X   | - | -             | -             | 1  | 4  |     |     |
|  | DI                 | 11 110 011  | F3      | IFF←0   | -    | - | X | - | X   | - | -             | -             | 1  | 4  |     |     |
|  | EI                 | 11 111 011  | FB      | IFF←1   | -    | - | X | - | X   | - | -             | -             | 1  | 4  |     |     |
|  | IM 0               | 11 101 101  | ED      | Set interrupt mode 0  | -    | - | X | - | X   | - | -             | -             | 2  | 8  |     |     |
|  | IM 1               | 11 101 101  | ED      | Set interrupt mode 1  | -    | - | X | - | X   | - | -             | -             | 2  | 8  |     |     |
|  | IM 2               | 11 101 101  | ED      | Set interrupt mode 2  | -    | - | X | - | X   | - | -             | -             | 2  | 8  |     |     |
|  | 01 011 110         | 5E          |         |   |      |   |   |   |     |   |               |               |    |    |     |     |
| 16-BIT ARITHMETIC                          | ADD HL,t           | 00 tt1 001  | 09+t×10 | HL+HL+t   | -    | - | X | X | X   | - | 0             | *             | 3  | 11 | t   | tt  |
|  | ADC HL,t           | 11 101 101  | ED      | HL+HL+t+CY  | *    | * | X | X | X   | V | 0             | *             | 4  | 15 | BC  | 00  |
|  |                    | 01 tt1 010  | 4A+t×10 |   |      |   |   |   |     |   |               |               |    |    | DE  | 01  |
|  | SBC HL,t           | 11 101 101  | ED      | HL+HL-t-CY  | *    | * | X | X | X   | V | 1             | *             | 4  | 15 | HL  | 10  |
|  |                    | 01 tt0 010  | 42+t×10 |   |      |   |   |   |     |   |               |               |    |    | SP  | 11  |
|  | ADD IX,p           | 11 011 101  | DD      | IX+IX+p   | -    | - | X | X | X   | - | 0             | *             | 4  | 15 |     |     |
|  |                    | 00 pp1 001  | 09+p×10 |   |      |   |   |   |     |   |               |               |    |    | p   | pp  |
|  | ADD IY,s           | 11 111 101  | FD      | IY+IY+s   | -    | - | X | X | X   | - | 0             | *             | 4  | 15 | BC  | 00  |
|  |                    | 00 ss1 001  | 09+s×10 |   |      |   |   |   |     |   |               |               |    |    | DE  | 01  |
|  | INC t              | 00 tt0 011  | 03+t×10 | t←t+1   | -    | - | X | - | X   | - | -             | -             | 1  | 6  | IX  | 10  |
|  | INC IX             | 11 011 101  | DD      | IX+IX+1   | -    | - | X | - | X   | - | -             | -             | 2  | 10 | SP  | 11  |
|  |                    | 00 100 011  | 23      |   |      |   |   |   |     |   |               |               |    |    | s   | ss  |
|  | INC IY             | 11 111 101  | FD      | IY+IY+1   | -    | - | X | - | X   | - | -             | -             | 2  | 10 | BC  | 00  |
|  | 00 100 011         | 23          |         |   |      |   |   |   |     |   |               |               |    | DE | 01  |     |
| DEC t                                      | 00 tt1 011         | 0B+t×10     | t←t-1   | -   | -    | X | - | X | -   | - | -             | 1             | 6  | DE | 01  |     |
| DEC IX                                     | 11 011 101         | DD          | IX+IX-1 | -   | -    | X | - | X | -   | - | -             | 2             | 10 | IY | 10  |     |
|  | 00 101 011         | 2B          |         |   |      |   |   |   |     |   |               |               |    | SP | 11  |     |
| DEC IY                                     | 11 111 101         | FD          | IY+IY-1 | -   | -    | X | - | X | -   | - | -             | 2             | 10 |    |     |     |
|  | 00 101 011         | 2B          |         |   |      |   |   |   |     |   |               |               |    |    |     |     |
| ROTATE                                     | RLCA               | 00 000 111  | 07      |  | -    | - | X | 0 | X   | - | 0             | *             | 1  | 4  |     |     |

Note : ss is any of the register pairs BC, DE, HL, SP. PP is any of the register pairs BC, DE, IX, SP.  
 rr is any of the register pairs BC, DE, IY, SP.

TMPZ84C011A Instruction Set (6/9)

| ITEM/<br>CLASSI-<br>FICATION | Assembler<br>mnemonic | Object code  |                     | Function | Flag |   |   |     |   |   |   | No.<br>OF<br>CY-<br>CLES | No.<br>OF<br>STA-<br>TES |    |    |
|------------------------------|-----------------------|--|---------------------|----------|------|---|---|-----|---|---|---|--------------------------|--------------------------|----|----|
|                              |                       | Binary   | Hex                 |          | S    | Z | H | P/V | N | C |   |                          |                          |    |    |
|                              |                       | 76 543 210   |                     |          |      |   |   |     |   |   |   |                          |                          |    |    |
| ROTATE SHIFT                 | RLA                   | 00 010 111   | 17                  |          | -    | - | X | 0   | X | - | 0 | *                        | 1                        | 4  |    |
|                              | RRCA                  | 00 001 111   | 0F                  |          | -    | - | X | 0   | X | - | 0 | *                        | 1                        | 4  |    |
|                              | RRA                   | 00 011 111   | 1F                  |          | -    | - | X | 0   | X | - | 0 | *                        | 1                        | 4  |    |
|                              | RLC r                 | 11 001 011<br>00 000 rrr                             | CB<br>00+r          |          | *    | * | X | 0   | X | P | 0 | *                        | 2                        | 8  |    |
|                              | RLC (HL)              | 11 001 011<br>00 000 110                             | CB<br>06            |          | *    | * | X | 0   | X | P | 0 | *                        | 4                        | 15 |    |
|                              | RLC (IX+d)            | 11 011 101<br>11 001 011<br>dd ddd ddd<br>00 000 110 | DD<br>CB<br>d<br>06 |          | *    | * | X | 0   | X | P | 0 | *                        | 6                        | 23 |    |
|                              | RLC (IY+d)            | 11 111 101<br>11 001 011<br>dd ddd ddd<br>00 000 110 | FD<br>CB<br>d<br>06 |          | *    | * | X | 0   | X | P | 0 | *                        | 6                        | 23 |    |
|                              | RL r                  | 11 001 011<br>00 010 rrr                             | CB<br>10+r          |          | *    | * | X | 0   | X | P | 0 | *                        | 2                        | 8  |    |
|                              | RL (HL)               | 11 001 011<br>00 010 110                             | CB<br>16            |          | *    | * | X | 0   | X | P | 0 | *                        | 4                        | 15 |    |
|                              | RL (IX+d)             | 11 011 101<br>11 001 011<br>dd ddd ddd<br>00 010 110 | DD<br>CB<br>d<br>16 |          | *    | * | X | 0   | X | P | 0 | *                        | 6                        | 23 |    |
|                              | RL (IY+d)             | 11 111 101<br>11 001 011<br>dd ddd ddd<br>00 010 110 | FD<br>CB<br>d<br>16 |          | *    | * | X | 0   | X | P | 0 | *                        | 6                        | 23 |    |
|                              | RRC r                 | 11 001 011<br>00 001 rrr                             | CB<br>08+r          |          | *    | * | X | 0   | X | P | 0 | *                        | 2                        | 8  |    |
|                              | RRC (HL)              | 11 001 011<br>00 001 110                             | CB<br>0E            |          | *    | * | X | 0   | X | P | 0 | *                        | 4                        | 15 |    |
|                              | RRC (IX+d)            | 11 011 101<br>11 001 011<br>dd ddd ddd<br>00 001 110 | DD<br>CB<br>d<br>0E |          |      | * | * | X   | 0 | X | P | 0                        | *                        | 6  | 23 |
|                              | RRC (IY+d)            | 11 111 101<br>11 001 011<br>dd ddd ddd<br>00 001 110 | FD<br>CB<br>d<br>0E |          | *    | * | X | 0   | X | P | 0 | *                        | 6                        | 23 |    |
|                              | RR r                  | 11 001 011<br>00 011 rrr                             | CB<br>18+r          |          | *    | * | X | 0   | X | P | 0 | *                        | 2                        | 8  |    |
|                              | RR (HL)               | 11 001 011<br>00 011 110                             | CB<br>1E            |          |      | * | * | X   | 0 | X | P | 0                        | *                        | 4  | 15 |
|                              | RR (IX+d)             | 11 011 101<br>11 001 011<br>dd ddd ddd<br>00 011 110 | DD<br>CB<br>d<br>1E |          |      | * | * | X   | 0 | X | P | 0                        | *                        | 6  | 23 |

|   |     |
|---|-----|
| r | rrr |
| B | 000 |
| C | 001 |
| D | 010 |
| E | 011 |
| H | 100 |
| L | 101 |
| A | 111 |

Note : r means any of the registers A, B, C, D, E, H, L.

120489

TMPZ84C011A Instruction Set (7/9)

| ITEM CLASSIFICATION | Assembler mnemonic     | Object code  |                          | Function         | Flag                |   |   |     |   |   | No. OF CYCLES | No. OF STATES |   |    |   |  |
|---------------------|------------------------|--|--------------------------|------------------|---------------------|---|---|-----|---|---|---------------|---------------|---|----|---|--|
|                     |                        | Binary   | Hex                      |                  | S                   | Z | H | P/V | N | C |               |               |   |    |   |  |
|                     |                        | 76 543 210   |                          |                  |                     |   |   |     |   |   |               |               |   |    |   |  |
| ROTATE SHIFT        | RR (IY+d)              | 11 111 101<br>11 001 011<br>dd ddd ddd<br>00 011 110 | FD<br>CB<br>d<br>1E      |                  | *                   | * | X | 0   | X | P | 0             | *             | 6 | 23 |   |  |
|                     | SLA r                  | 11 001 011<br>00 100 rrr                             | CB<br>20+r               |                  | *                   | * | X | 0   | X | P | 0             | *             | 2 | 8  | r rrr   |  |
|                     | SLA (HL)               | 11 001 011<br>00 100 110                             | CB<br>26                 |                  | *                   | * | X | 0   | X | P | 0             | *             | 4 | 15 | B 000<br>C 001<br>D 010<br>E 011<br>H 100<br>L 101<br>A 111 |  |
|                     | SLA (IX+d)             | 11 011 101<br>11 001 011<br>dd ddd ddd<br>00 100 110 | DD<br>CB<br>d<br>26      |                  | *                   | * | X | 0   | X | P | 0             | *             | 6 | 23 |   |  |
|                     | SLA (IY+d)             | 11 111 101<br>11 001 011<br>dd ddd ddd<br>00 100 110 | FD<br>CB<br>d<br>26      |                  | *                   | * | X | 0   | X | P | 0             | *             | 6 | 23 |   |  |
|                     | SRA r                  | 11 001 011<br>00 101 rrr                             | CB<br>28+r               |                  | *                   | * | X | 0   | X | P | 0             | *             | 2 | 8  |   |  |
|                     | SRA (HL)               | 11 001 011<br>00 101 110                             | CB<br>2E                 |                  | *                   | * | X | 0   | X | P | 0             | *             | 4 | 15 |   |  |
|                     | SRA (IX+d)             | 11 011 101<br>11 001 011<br>dd ddd ddd<br>00 101 110 | DD<br>CB<br>d<br>2E      |                  | *                   | * | X | 0   | X | P | 0             | *             | 6 | 23 |   |  |
|                     | SRA (IY+d)             | 11 111 101<br>11 001 011<br>dd ddd ddd<br>00 101 110 | FD<br>CB<br>d<br>2E      |                  | *                   | * | X | 0   | X | P | 0             | *             | 6 | 23 |   |  |
|                     | SRL r                  | 11 001 011<br>00 111 rrr                             | CB<br>38+r               |                  | *                   | * | X | 0   | X | P | 0             | *             | 2 | 8  |   |  |
|                     | SRL (HL)               | 11 001 011<br>00 111 110                             | CB<br>3E                 |                  | *                   | * | X | 0   | X | P | 0             | *             | 4 | 15 |   |  |
|                     | SRL (IX+d)             | 11 011 101<br>11 001 011<br>dd ddd ddd<br>00 111 110 | DD<br>CB<br>d<br>3E      |                  | *                   | * | X | 0   | X | P | 0             | *             | 6 | 23 |   |  |
|                     | SRL (IY+d)             | 11 111 101<br>11 001 011<br>dd ddd ddd<br>00 111 110 | FD<br>CB<br>d<br>3E      |                  | *                   | * | X | 0   | X | P | 0             | *             | 6 | 23 |   |  |
|                     | RLD                    | 11 101 101<br>01 101 111                             | ED<br>6F                 |                  | *                   | * | X | 0   | X | P | 0             | -             | 5 | 18 | *1  |  |
|                     | RRD                    | 11 101 101<br>01 100 111                             | ED<br>67                 |                  | *                   | * | X | 0   | X | P | 0             | -             | 5 | 18 | *1  |  |
|                     | BIT SET RESET AND TEST | BIT b, r   | 11 001 011<br>01 bbb rrr | CB<br>40+b x 8+r | Z←r <sub>b</sub>    | X | * | X   | 1 | X | X             | 0             | - | 2  | 8   | b bbb  |
|                     |                        | BIT b, (HL)  | 11 001 011<br>01 bbb 110 | CB<br>46+b x 8   | Z←(HL) <sub>b</sub> | X | * | X   | 1 | X | X             | 0             | - | 3  | 12  | 0 000<br>1 001<br>2 010<br>3 011<br>4 100<br>5 101<br>6 110<br>7 111 |

Note : \*1 : Rotate digit left and right between the accumulator and location (HL).  
 The content of the upper half of the accumulator is unaffected.  
 The notation (HL)<sub>b</sub> indicates bit <sub>b</sub> (0 to 7) within the contents of the HL register pair.  
 The notation r<sub>b</sub> indicates bit <sub>b</sub> (0 to 7) within the r register.

TMPZ84C011A Instruction Set (8/9)

| ITEM/CLASSIFICATION    | Assembler mnemonic | Object code  |  | Function  | Flag                                  |   |   |     |   |   |   | No. OF CYCLES | No. OF STATES |      |    |      |  |
|------------------------|--------------------|--|--|---|---------------------------------------|---|---|-----|---|---|---|---------------|---------------|------|----|------|--|
|                        |                    | Binary   | Hex                                    |   | S                                     | Z | H | P/V | N | C | r |               |               | rrrr |    |      |  |
|                        |                    | 76 543 210   |  |   |                                       |   |   |     |   |   |   |               |               |      |    |      |  |
| BIT SET RESET AND TEST | BIT b,(IX+d)       | 11 011 101<br>11 001 011<br>dd ddd ddd<br>01 bbb 110 | DD<br>CB<br>d<br>46+b×8                | Z+(IX+d) <sub>b</sub>                               | X                                     | * | X | 1   | X | X | 0 | -             | 5             | 20   |    |      |  |
|                        | BIT b,(IY+d)       | 11 111 101<br>11 001 011<br>dd ddd ddd<br>01 bbb 110 | FD<br>CB<br>d<br>46+b×8                | Z-(IY+d) <sub>b</sub>                               | X                                     | * | X | 1   | X | X | 0 | -             | 5             | 20   |    |      |  |
|                        | SET b,r            | 11 001 011<br>11 bbb rrr                             | CB<br>C0+b×8+r                         | r <sub>b</sub> +1                                   | -                                     | - | X | -   | X | - | - | -             | 2             | 8    | r  | rrrr |  |
|                        | SET b,(HL)         | 11 001 011<br>11 bbb 110                             | CB<br>C6+b×8                           | (HL) <sub>b</sub> +1                                | -                                     | - | X | -   | X | - | - | -             | 4             | 15   | B  | 000  |  |
|                        | SET b,(IX+d)       | 11 011 101<br>11 001 011<br>dd ddd ddd<br>11 bbb 110 | DD<br>CB<br>d<br>C6+b×8                | (IX+d) <sub>b</sub> +1                              | -                                     | - | X | -   | X | - | - | -             | 6             | 23   | C  | 001  |  |
|                        | SET b,(IY+d)       | 11 111 101<br>11 001 011<br>dd ddd ddd<br>11 bbb 110 | FD<br>CB<br>d<br>C6+b×8                | (IY+d) <sub>b</sub> +1                              | -                                     | - | X | -   | X | - | - | -             | 6             | 23   | D  | 010  |  |
|                        | RES b,r            | 11 001 011<br>10 bbb rrr                             | CB<br>80+b×8+r                         | r <sub>b</sub> +0                                   | -                                     | - | X | -   | X | - | - | -             | 2             | 8    | E  | 011  |  |
|                        | RES b,(HL)         | 11 001 011<br>10 bbb 110                             | CB<br>86+b×8                           | (HL) <sub>b</sub> +0                                | -                                     | - | X | -   | X | - | - | -             | 4             | 15   | H  | 100  |  |
|                        | RES b,(IX+d)       | 11 011 101<br>11 001 011<br>dd ddd ddd<br>10 bbb 110 | DD<br>CB<br>d<br>86+b×8                | (IX+d) <sub>b</sub> +0                              | -                                     | - | X | -   | X | - | - | -             | 6             | 23   | L  | 101  |  |
|                        | RES b,(IY+d)       | 11 111 101<br>11 001 011<br>dd ddd ddd<br>10 bbb 110 | FD<br>CB<br>d<br>86+b×8                | (IY+d) <sub>b</sub> +0                              | -                                     | - | X | -   | X | - | - | -             | 6             | 23   | A  | 111  |  |
|                        | JUMP               | JP mn  | 11 000 011<br>nn nnn nnn<br>mm mmm mmm | C3<br>n<br>m  | PC+mn                                 | - | - | X   | - | X | - | -             | -             | 3    | 10 |      |  |
|                        |                    | JP c,ma  | 11 ccc 010<br>nn nnn nnn<br>mm mmm mmm | C2+c×8<br>n<br>m                                    | PC+mn<br>(Only when condition is met) | - | - | X   | - | X | - | -             | -             | 3    | 10 |      |  |
| JR \$+e                |                    | 00 011 000<br>aa aaa aaa                             | 18<br>a                                | PC+\$+e   | -                                     | - | X | -   | X | - | - | -             | 3             | 12   |    |      |  |
| JR C,\$+e              |                    | 00 111 000<br>aa aaa aaa                             | 38<br>a                                | If C=0, continue<br>If C=1, PC+\$+e                 | -                                     | - | X | -   | X | - | - | -             | 2             | 7    |    |      |  |
| JR NC,\$+e             |                    | 00 110 000<br>aa aaa aaa                             | 30<br>a                                | If C=0, PC+\$+e<br>If C=1, continue                 | -                                     | - | X | -   | X | - | - | -             | 3             | 12   |    |      |  |
| JR Z,\$+e              |                    | 00 101 000<br>aa aaa aaa                             | 28<br>a                                | If Z=0, continue<br>If Z=1, PC+\$+e                 | -                                     | - | X | -   | X | - | - | -             | 2             | 7    |    |      |  |
| JR NZ,\$+e             |                    | 00 100 000<br>aa aaa aaa                             | 20<br>a                                | If Z=0, PC+\$+e<br>If Z=1, continue                 | -                                     | - | X | -   | X | - | - | -             | 3             | 12   |    |      |  |
| DJNZ \$+e              |                    | 00 010 000<br>aa aaa aaa                             | 10<br>a                                | B+B-1, if B=0, continue<br>B+B-1, if B<>0, continue | -                                     | - | X | -   | X | - | - | -             | 2             | 8    |    |      |  |
| JP (HL)                |                    | 11 101 001   | E9                                     | PC+HL   | -                                     | - | X | -   | X | - | - | -             | 1             | 4    |    |      |  |

- Note:
- a = e - 2 in the Opcode provides an effective address of PC + e as PC is incremented by 2 before the addition of e.
  - \$ indicates the reference to the location counter value of the current segment.
  - The notation (HL)<sub>b</sub>, (IX + d)<sub>b</sub> indicates bit <sub>b</sub> (0 to 7) within the contents of the register pair.
  - The notation r<sub>b</sub> indicates bit <sub>b</sub> (0 to 7) within the r register.
  - a = e - 2 in the op-code provides effective address of PC + e as PC is incremented by 2 prior to the addition of e.

| c  | ccc | Condition     |
|----|-----|---------------|
| NZ | 000 | Non-Zero      |
| Z  | 001 | Zero          |
| NC | 010 | No-carry      |
| C  | 011 | Carry         |
| PO | 100 | Odd Parity    |
| PE | 101 | Even Parity   |
| P  | 110 | Sign Positive |
| M  | 111 | Sign Negative |

TMPZ84C011A Instruction Set (9/9)

| ITEM/<br>CLASSI-<br>FICA-<br>TION | Assembler<br>mnemonic | Object code |   | Function  | Flag |    |   |     |   |   |   | No.<br>OF<br>CY-<br>CLES | No.<br>OF<br>STA-<br>TES |    |
|-----------------------------------|-----------------------|-------------|---|---|------|----|---|-----|---|---|---|--------------------------|--------------------------|----|
|                                   |                       | Binary      | Hex   |   | S    | Z  | H | P/V | N | C |   |                          |                          |    |
|                                   |                       | 76 543 210  |   |   |      |    |   |     |   |   |   |                          |                          |    |
| JUMP                              | JP (IX)               | 11 011 101  | DD  | PC+(IX)   | -    | -  | X | -   | X | - | - | -                        | 2                        | 8  |
|                                   | JP (IY)               | 11 111 101  | FD  | PC+(IY)   | -    | -  | X | -   | X | - | - | -                        | 2                        | 8  |
| CALL AND RETURN                   | CALL mn               | 11 001 101  | CD  | (SP-1)+PC <sub>H</sub> , (SP-2)+PC <sub>L</sub>       | -    | -  | X | -   | X | - | - | -                        | 5                        | 17 |
|                                   |                       | nn nnn nnn  | n   | PC+mn   |      |    |   |     |   |   |   |                          |                          |    |
|                                   |                       | mm mmm mmm  | m   | SP+SP-2   |      |    |   |     |   |   |   |                          |                          |    |
|                                   | CALL c, mn            | 11 ccc 100  | C4+cX8  | If condition c is met, same as CALL mn                | -    | -  | X | -   | X | - | - | -                        | 5                        | 17 |
|                                   |                       | nn nnn nnn  | n   | If condition c is not met, continue                   |      |    |   |     |   |   |   |                          |                          |    |
|                                   |                       | mm mmm mmm  | m   | PC <sub>L</sub> ←(SP), PC <sub>H</sub> ←(SP+1)        |      |    |   |     |   |   |   |                          |                          |    |
|                                   | RET                   | 11 001 001  | C9  | SP+SP+2   | -    | -  | X | -   | X | - | - | -                        | 3                        | 10 |
| CALL AND RETURN                   | RET c                 | 11 ccc 000  | C0+cX8  | If condition c is met, same as RET                    | -    | -  | X | -   | X | - | - | -                        | 3                        | 11 |
|                                   |                       | nn nnn nnn  | n   | If condition c is not met, continue                   |      |    |   |     |   |   |   |                          |                          |    |
|                                   | RETI                  | 11 101 101  | ED  | Return from interrupt Processing routine              | -    | -  | X | -   | X | - | - | -                        | 4                        | 14 |
|                                   |                       | 01 001 101  | 4D  |   |      |    |   |     |   |   |   |                          |                          |    |
|                                   | RETN                  | 11 101 101  | ED  | Return from non-maskable interrupt Processing routine | -    | -  | X | -   | X | - | - | -                        | 4                        | 14 |
|                                   |                       | 01 000 101  | 45  |   |      |    |   |     |   |   |   |                          |                          |    |
|                                   | RST j                 | 11 kkk 111  | C7+kX8  | (SP-1)+PC <sub>H</sub> , (SP-2)+PC <sub>L</sub>       | -    | -  | X | -   | X | - | - | -                        | 3                        | 11 |
|                                   |                       |             | PC <sub>H</sub> ←0, PC <sub>L</sub> ←j, SP+SP-2 |   |      |    |   |     |   |   |   |                          |                          |    |
| INPUT AND OUTPUT                  | IN A, (n)             | 11 011 011  | DB  | A←(n)   | -    | -  | X | -   | X | - | - | -                        | 3                        | 11 |
|                                   |                       | nn nnn nnn  | n   | n→A0-A7, A→A8-A15                                     |      |    |   |     |   |   |   |                          |                          |    |
|                                   | IN r, (C)             | 11 101 101  | ED  | r←(C) if r=110, only the flags                        | *    | *  | X | *   | X | P | 0 | -                        | 3                        | 12 |
|                                   |                       | 01 rrr 000  | 40+rX8  | will be affected.                                     |      |    |   |     |   |   |   |                          |                          |    |
|                                   | INI                   | 11 101 101  | ED  | (HL)←(C), B←B-1, HL←HL+1                              | X    | *M | X | X   | X | X | 1 | X                        | 4                        | 16 |
|                                   |                       | 10 100 010  | A2  |   |      |    |   |     |   |   |   |                          |                          |    |
|                                   | INIR                  | 11 101 101  | ED  | (HL)←(C), B←B-1, HL←HL+1                              | X    | 1  | X | X   | X | X | 1 | X                        | 5                        | 21 |
|                                   |                       | 10 110 010  | B2  | Repeat until B=0                                      |      |    |   |     |   |   |   |                          |                          |    |
|                                   | IND                   | 11 101 101  | ED  | (HL)←(C), B←B-1, HL←HL-1                              | X    | *M | X | X   | X | X | 1 | X                        | 4                        | 16 |
|                                   |                       | 10 101 010  | AA  |   |      |    |   |     |   |   |   |                          |                          |    |
|                                   | INDR                  | 11 101 101  | ED  | (HL)←(C), B←B-1, HL←HL-1                              | X    | 1  | X | X   | X | X | 1 | X                        | 5                        | 21 |
|                                   |                       | 10 111 010  | BA  | Repeat until B=0                                      |      |    |   |     |   |   |   |                          |                          |    |
|                                   | OUT (n), A            | 11 010 011  | D3  | (n)←A   | -    | -  | X | -   | X | - | - | -                        | 3                        | 11 |
|                                   |                       | nn nnn nnn  | n   | n→A0-A7, A→A8-A15                                     |      |    |   |     |   |   |   |                          |                          |    |
| OUT (C), r                        | 11 101 101            | ED          | (C)←r   | -   | -    | X  | - | X   | - | - | - | 3                        | 12                       |    |
|                                   | 01 rrr 001            | 41+rX8      |   |   |      |    |   |     |   |   |   |                          |                          |    |
| OUTI                              | 11 101 101            | ED          | (C)←(HL), B←B-1, HL←HL+1                        | X   | *M   | X  | X | X   | X | 1 | X | 4                        | 16                       |    |
|                                   | 10 100 011            | A3          |   |   |      |    |   |     |   |   |   |                          |                          |    |
| OTIR                              | 11 101 101            | ED          | (C)←(HL), B←B-1, HL←HL+1                        | X   | 1    | X  | X | X   | X | 1 | X | 5                        | 21                       |    |
|                                   | 10 110 011            | B3          | Repeat until B=0                                |   |      |    |   |     |   |   |   |                          |                          |    |
| OUTD                              | 11 101 101            | ED          | (C)←(HL), B←B-1, HL←HL-1                        | X   | *M   | X  | X | X   | X | 1 | X | 4                        | 16                       |    |
|                                   | 10 101 011            | AB          |   |   |      |    |   |     |   |   |   |                          |                          |    |
| OTDR                              | 11 101 101            | ED          | (C)←(HL), B←B-1, HL←HL-1                        | X   | 1    | X  | X | X   | X | 1 | X | 5                        | 21                       |    |
|                                   | 10 111 010            | BB          | Repeat until B=0                                |   |      |    |   |     |   |   |   |                          |                          |    |

Note: • \*M If the result of B-1 is zero, the Z flag is set, otherwise it is reset.  
 • A0 through A15 indicate the address bus.  
 • [ ] indicates the total condition of the number of cycles and states indicated by arrow.

| *1 | C→A0-A7  | c  | ccc | Condition     |
|----|----------|----|-----|---------------|
|    | B→A8-A15 | NZ | 000 | Non-Zero      |
|    |          | Z  | 001 | Zero          |
|    |          | MC | 010 | No-Carry      |
|    |          | C  | 011 | Carry         |
|    |          | PO | 100 | Odd Parity    |
|    |          | PE | 101 | Even Parity   |
|    |          | P  | 110 | Sign Positive |
|    |          | M  | 111 | Sign negative |

|     |     |
|-----|-----|
| j   | kkk |
| 00H | 000 |
| 08H | 001 |
| 10H | 010 |
| 18H | 011 |
| 20H | 100 |
| 28H | 101 |
| 30H | 110 |
| 38H | 111 |
| r   | rrr |
| B   | 000 |
| C   | 001 |
| D   | 010 |
| E   | 011 |
| H   | 100 |
| L   | 101 |
| A   | 111 |



TMPZ84C011A Instruction Map (1/7)

MPU Instruction Table ( I )

| H | L | 0             | 1             | 2              | 3              | 4              | 5             | 6              | 7             | 8            | 9             | A              | B            | C              | D           | E              | F           |
|---|---|---------------|---------------|----------------|----------------|----------------|---------------|----------------|---------------|--------------|---------------|----------------|--------------|----------------|-------------|----------------|-------------|
|   | 0 | NOB           | LD<br>BC, mn  | LD<br>(BC), A  | INC<br>BC      | INC<br>B       | DEC<br>B      | LD<br>B, n     | RLCA          | EX<br>AF, AF | ADD<br>HC, BC | LD<br>A, (BC)  | DEC<br>BC    | INC<br>C       | DEC<br>C    | LD<br>C, n     | RRCA        |
|   | 1 | DJNZ<br>e     | LD<br>DE, mn  | LD<br>(DE), A  | INC<br>DE      | INC<br>D       | DEC<br>D      | LD<br>D, N     | RLA           | JE<br>e      | ADD<br>HL, DE | LD<br>A, (DE)  | DEC<br>DE    | INC<br>E       | DEC<br>E    | LD<br>E, n     | RRA         |
|   | 2 | JR NZ,<br>e   | LD<br>HL, mn  | LD<br>(mn), HL | INC<br>HL      | INC<br>D       | DEC<br>H      | LD<br>H, n     | DAA           | JR Z<br>e    | ADD<br>HL, HL | LD<br>HL, (mn) | DEC<br>HL    | INC<br>L       | DEC<br>L    | LD<br>L, n     | CPL         |
|   | 3 | JR NC,<br>e   | LD<br>SP, mn  | LD<br>(mn), A  | INC<br>SP      | INC<br>(HL)    | DEC<br>{HL}   | LD<br>{HL}, n  | SCF           | JR C<br>e    | ADD<br>HL, SP | LD<br>A, (mn)  | DEC<br>SP    | INC<br>A       | DEC<br>A    | LD<br>A, n     | CCF         |
|   | 4 | LD<br>B, B    | LD<br>B, C    | LD<br>B, D     | LD<br>B, E     | LD<br>B, H     | LD<br>B, L    | LD<br>B, (HL)  | LD<br>B, A    | LD<br>C, B   | LD<br>C, C    | LD<br>C, D     | LD<br>C, E   | LD<br>C, H     | LD<br>C, L  | LD<br>C, (HL)  | LD<br>C, A  |
|   | 5 | LD<br>D, B    | LD<br>D, C    | LD<br>D, D     | LD<br>D, E     | LD<br>D, H     | LD<br>D, L    | LD<br>D, (HL)  | LD<br>D, A    | LD<br>E, B   | LD<br>E, C    | LD<br>E, D     | LD<br>E, E   | LD<br>E, H     | LD<br>E, L  | LD<br>E, (HL)  | LD<br>E, A  |
|   | 6 | LD<br>H, B    | LD<br>H, C    | LD<br>H, D     | LD<br>H, E     | LD<br>H, H     | LD<br>H, L    | LD<br>H, (HL)  | LD<br>H, A    | LD<br>L, B   | LD<br>L, C    | LD<br>L, D     | LD<br>L, E   | LD<br>L, H     | LD<br>L, L  | LD<br>L, (HL)  | LD<br>L, A  |
|   | 7 | LD<br>(HL), B | LD<br>(HL), C | LD<br>(HL), D  | LD<br>(HL), E  | LD<br>(HL), H  | LD<br>(HL), L | HALT           | LD<br>(HL), A | LD<br>A, B   | LD<br>A, C    | LD<br>A, D     | LD<br>A, E   | LD<br>A, H     | LD<br>A, L  | LD<br>A, (HL)  | LD<br>A, A  |
|   | 8 | ADD<br>A, B   | ADD<br>A, C   | ADD<br>A, D    | ADD<br>A, E    | ADD<br>A, H    | ADD<br>A, L   | ADD<br>A, (HL) | ADD<br>A, A   | ADC<br>A, B  | ADC<br>A, C   | ADC<br>A, D    | ADC<br>A, E  | ADC<br>A, H    | ADC<br>A, L | ADC<br>A, (HL) | ADC<br>A, A |
|   | 9 | SUB<br>B      | SUB<br>C      | SUB<br>D       | SUB<br>E       | SUB<br>H       | SUB<br>L      | SUB<br>(HL)    | SUB<br>A      | SBC<br>A, B  | SBC<br>A, C   | SBC<br>A, D    | SBC<br>A, E  | SBC<br>A, H    | SBC<br>A, L | SBC<br>A, (HL) | SBC<br>A, A |
|   | A | AND<br>B      | AND<br>C      | AND<br>D       | AND<br>E       | AND<br>H       | AND<br>L      | AND<br>(HL)    | AND<br>A      | XOR<br>B     | XOR<br>C      | XOR<br>D       | XOR<br>E     | XOR<br>H       | XOR<br>L    | XOR<br>(HL)    | XOR<br>A    |
|   | B | OR<br>B       | OR<br>C       | OR<br>D        | OR<br>E        | OR<br>H        | OR<br>L       | OR<br>(HL)     | OR<br>A       | CP<br>B      | CP<br>C       | CP<br>D        | CP<br>E      | CP<br>H        | CP<br>L     | CP<br>(HL)     | XOR<br>A    |
|   | C | RET<br>NZ     | POP<br>BC     | JP NZ,<br>mn   | JP<br>mn       | CALL<br>NZ, mn | PUSH<br>BC    | ADD<br>A, n    | RST<br>00H    | RET<br>C     | RET           | JP Z,<br>mn    | ①            | CALL<br>Z, mn  | CALL<br>mn  | ADC<br>A, n    | RST<br>08H  |
|   | D | RET<br>NC     | POP<br>DE     | JP NC,<br>mn   | OUT<br>(n), A  | CALL<br>NC, mn | PUSH<br>DE    | SUB<br>n       | RST<br>10H    | RET<br>C     | EXX           | JP C,<br>mn    | IN<br>A, (n) | CALL<br>C, mn  | ③           | SBC<br>A, n    | RST<br>18H  |
|   | E | RET<br>PO     | POP<br>HL     | JP PO,<br>mn   | EX<br>(SP), HL | CALL<br>PO, mn | PUSH<br>HL    | AND<br>n       | RST<br>20H    | RET<br>PE    | JP<br>(HL)    | JP PE,<br>mn   | EX<br>DE, HL | CALL<br>PI, mn | ②           | XOR<br>n       | RST<br>28H  |
|   | F | RET<br>P      | POP<br>AF     | JP P,<br>mn    | DI             | CALL<br>P, mn  | PUSH<br>AF    | OR<br>n        | RST<br>30H    | RET<br>M     | LD<br>SP, HL  | JP M,<br>mn    | EI           | CALL<br>M, mn  | ④           | CP<br>n        | RST<br>38H  |

120489

Note ①~④: Multi-Opcode Instructions (ref. Table (II)~(VI))

TMPZ84C011A Instruction Map (2/7)

① Byte 1 “CB”

Instruction Table ( II ) (Byte 2 of 2-byte Opcode)

| H | L | 0           | 1           | 2           | 3           | 4           | 5           | 6              | 7           | 8           | 9           | A           | B           | C           | D           | E              | F           |
|---|---|-------------|-------------|-------------|-------------|-------------|-------------|----------------|-------------|-------------|-------------|-------------|-------------|-------------|-------------|----------------|-------------|
| 0 |   | RLC<br>B    | RLC<br>C    | RLC<br>D    | RLC<br>E    | RLC<br>H    | RLC<br>L    | RLC<br>(HL)    | RLC<br>A    | RRC<br>B    | RRC<br>C    | RRC<br>D    | RRC<br>E    | RRC<br>H    | RRC<br>L    | RRC<br>(HL)    | RRC<br>A    |
| 1 |   | RL<br>B     | RL<br>C     | RL<br>D     | RL<br>E     | RL<br>H     | RL<br>L     | RL<br>(HL)     | RL<br>A     | RR<br>B     | RR<br>C     | RR<br>D     | RR<br>E     | RR<br>H     | RR<br>L     | RR<br>(HL)     | RR<br>A     |
| 2 |   | SLA<br>B    | SLA<br>C    | SLA<br>D    | SLA<br>E    | SLA<br>H    | SLA<br>L    | SLA<br>(HL)    | SLA<br>A    | SRA<br>B    | SRA<br>C    | SRA<br>D    | SRA<br>E    | SRA<br>H    | SRA<br>L    | SRA<br>(HL)    | SRA<br>A    |
| 3 |   |             |             |             |             |             |             |                |             | SRL<br>B    | SRL<br>C    | SRL<br>D    | SRL<br>E    | SRL<br>H    | SRL<br>L    | SRL<br>(HL)    | SRL<br>A    |
| 4 |   | BIT<br>0, B | BIT<br>0, C | BIT<br>0, D | BIT<br>0, E | BIT<br>0, H | BIT<br>0, L | BIT<br>0, (HL) | BIT<br>0, A | BIT<br>1, B | BIT<br>1, C | BIT<br>1, D | BIT<br>1, E | BIT<br>1, H | BIT<br>1, L | BIT<br>1, (HL) | BIT<br>1, A |
| 5 |   | BIT<br>2, B | BIT<br>2, C | BIT<br>2, D | BIT<br>2, E | BIT<br>2, H | BIT<br>2, L | BIT<br>2, (HL) | BIT<br>2, A | BIT<br>3, B | BIT<br>3, C | BIT<br>3, D | BIT<br>3, E | BIT<br>3, H | BIT<br>3, L | BIT<br>3, (HL) | BIT<br>3, A |
| 6 |   | BIT<br>4, B | BIT<br>4, C | BIT<br>4, D | BIT<br>4, E | BIT<br>4, H | BIT<br>4, L | BIT<br>4, (HL) | BIT<br>4, A | BIT<br>5, B | BIT<br>5, C | BIT<br>5, D | BIT<br>5, E | BIT<br>5, H | BIT<br>5, L | BIT<br>5, (HL) | BIT<br>5, A |
| 7 |   | BIT<br>6, B | BIT<br>6, C | BIT<br>6, D | BIT<br>6, E | BIT<br>6, H | BIT<br>6, L | BIT<br>6, (HL) | BIT<br>6, A | BIT<br>7, B | BIT<br>7, C | BIT<br>7, D | BIT<br>7, E | BIT<br>7, H | BIT<br>7, L | BIT<br>7, (HL) | BIT<br>7, A |
| 8 |   | RES<br>0, B | RES<br>0, C | RES<br>0, D | RES<br>0, E | RES<br>0, H | RES<br>0, L | RES<br>0, (HL) | RES<br>0, A | RES<br>1, B | RES<br>1, C | RES<br>1, D | RES<br>1, E | RES<br>1, H | RES<br>1, L | RES<br>1, (HL) | RES<br>1, A |
| 9 |   | RES<br>2, B | RES<br>2, C | RES<br>2, D | RES<br>2, E | RES<br>2, H | RES<br>2, L | RES<br>2, (HL) | RES<br>2, A | RES<br>3, B | RES<br>3, C | RES<br>3, D | RES<br>3, E | RES<br>3, H | RES<br>3, L | RES<br>3, (HL) | RES<br>3, A |
| A |   | RES<br>4, B | RES<br>4, C | RES<br>4, D | RES<br>4, E | RES<br>4, H | RES<br>4, L | RES<br>4, (HL) | RES<br>4, A | RES<br>5, B | RES<br>5, C | RES<br>5, D | RES<br>5, E | RES<br>5, H | RES<br>5, L | RES<br>5, (HL) | RES<br>5, A |
| B |   | RES<br>6, B | RES<br>6, C | RES<br>6, D | RES<br>6, E | RES<br>6, H | RES<br>6, L | RES<br>6, (HL) | RES<br>6, A | RES<br>7, B | RES<br>7, C | RES<br>7, D | RES<br>7, E | RES<br>7, H | RES<br>7, L | RES<br>7, (HL) | RES<br>7, A |
| C |   | SET<br>0, B | SET<br>0, C | SET<br>0, D | SET<br>0, E | SET<br>0, H | SET<br>0, L | SET<br>0, (HL) | SET<br>0, A | SET<br>1, B | SET<br>1, C | SET<br>1, D | SET<br>1, E | SET<br>1, H | SET<br>1, L | SET<br>1, (HL) | SET<br>1, A |
| D |   | SET<br>2, B | SET<br>2, C | SET<br>2, D | SET<br>2, E | SET<br>2, H | SET<br>2, L | SET<br>2, (HL) | SET<br>2, A | SET<br>3, B | SET<br>3, C | SET<br>3, D | SET<br>3, E | SET<br>3, H | SET<br>3, L | SET<br>3, (HL) | SET<br>3, A |
| E |   | SET<br>4, B | SET<br>4, C | SET<br>4, D | SET<br>4, E | SET<br>4, H | SET<br>4, L | SET<br>4, (HL) | SET<br>4, A | SET<br>5, B | SET<br>5, C | SET<br>5, D | SET<br>5, E | SET<br>5, H | SET<br>5, L | SET<br>5, (HL) | SET<br>5, A |
| F |   | SET<br>6, B | SET<br>6, C | SET<br>6, D | SET<br>6, E | SET<br>6, H | SET<br>6, L | SET<br>6, (HL) | SET<br>6, A | SET<br>7, B | SET<br>7, C | SET<br>7, D | SET<br>7, E | SET<br>7, H | SET<br>7, L | SET<br>7, (HL) | SET<br>7, A |

120489

TMPZ84C011A Instruction Map (3/7)

② Byte 1 "ED"

Instruction Table ( III ) ( Byte 2 of 2-byte Opcode )

| H | L            | 0             | 1            | 2             | 3   | 4    | 5   | 6          | 7            | 8             | 9            | A             | B    | C    | D   | E | F          |
|---|--------------|---------------|--------------|---------------|-----|------|-----|------------|--------------|---------------|--------------|---------------|------|------|-----|---|------------|
| 0 |              |               |              |               |     |      |     |            |              |               |              |               |      |      |     |   |            |
| 1 |              |               |              |               |     |      |     |            |              |               |              |               |      |      |     |   |            |
| 2 |              |               |              |               |     |      |     |            |              |               |              |               |      |      |     |   |            |
| 3 |              |               |              |               |     |      |     |            |              |               |              |               |      |      |     |   |            |
| 4 | IN<br>B, (C) | OUT<br>(C), B | SBC<br>HL,BC | LD<br>(mn),BC | NEG | RETN | IM0 | LD<br>I, A | IN<br>C, (C) | OUT<br>(C), C | ADC<br>HL,BC | LD<br>BC,(mn) |      | RETI |     |   | LD<br>R, A |
| 5 | IN<br>D, (C) | OUT<br>(C), D | SBC<br>HL,DE | LD<br>(mn),DE |     |      | IM1 | LD<br>A, I | IN<br>E, (C) | OUT<br>(C), E | ADC<br>HL,DE | LD<br>DE,(mn) |      |      | IM2 |   | LD<br>A, R |
| 6 | IN<br>H, (C) | OUT<br>(C), H | SBC<br>HL,HL | LD<br>(mn),HL |     |      |     | RRD        | IN<br>L, (C) | OUT<br>(C), L | ADC<br>HL,HL | LD<br>HL,(mn) |      |      |     |   | RLD        |
| 7 |              |               | SBC<br>HL,SP | LD<br>(mn),SP |     |      |     |            | IN<br>A, (C) | OUT<br>(C), A | ADC<br>HL,SP | LD<br>SP,(mn) |      |      |     |   |            |
| 8 |              |               |              |               |     |      |     |            |              |               |              |               |      |      |     |   |            |
| 9 |              |               |              |               |     |      |     |            |              |               |              |               |      |      |     |   |            |
| A | LDI          | CPI           | INI          | OUTI          |     |      |     |            |              | LDD           | CPD          | IND           | OUTD |      |     |   |            |
| B | LDIR         | CPIR          | INIR         | OTIR          |     |      |     |            |              | LDDR          | CPDR         | INDR          | OTDR |      |     |   |            |
| C |              |               |              |               |     |      |     |            |              |               |              |               |      |      |     |   |            |
| D |              |               |              |               |     |      |     |            |              |               |              |               |      |      |     |   |            |
| E |              |               |              |               |     |      |     |            |              |               |              |               |      |      |     |   |            |
| F |              |               |              |               |     |      |     |            |              |               |              |               |      |      |     |   |            |

120489

TMPZ84C011A Instruction Map (4/7)

③ Byte 1 “DD”

Instruction Table ( IV ) ( Byte 2 of 2-byte Opcode )

| H | L | 0                     | 1                     | 2                     | 3                     | 4                     | 5                     | 6                     | 7                     | 8 | 9             | A              | B         | C | D | E | F                  |
|---|---|-----------------------|-----------------------|-----------------------|-----------------------|-----------------------|-----------------------|-----------------------|-----------------------|---|---------------|----------------|-----------|---|---|---|--------------------|
|   | 0 |                       |                       |                       |                       |                       |                       |                       |                       |   | ADD<br>IX,BC  |                |           |   |   |   |                    |
|   | 1 |                       |                       |                       |                       |                       |                       |                       |                       |   | ADD<br>IX,DE  |                |           |   |   |   |                    |
|   | 2 |                       | LD<br>IX, mn          | LD<br>(mn), IX        | INC<br>IX             |                       |                       |                       |                       |   | ADD<br>IX, IX | LD<br>IX, (mn) | DEC<br>IX |   |   |   |                    |
|   | 3 |                       |                       |                       |                       | INC<br>(IX + d)       | DEC<br>(IX + d)       | LD<br>(IX + d)<br>, P |                       |   | ADD<br>IX, SP |                |           |   |   |   |                    |
|   | 4 |                       |                       |                       |                       |                       |                       | LD B,<br>(IX + d)     |                       |   |               |                |           |   |   |   | LDC,<br>(IX + d)   |
|   | 5 |                       |                       |                       |                       |                       |                       | LD D,<br>(IX + d)     |                       |   |               |                |           |   |   |   | LDE,<br>(IX + d)   |
|   | 6 |                       |                       |                       |                       |                       |                       | LD H,<br>(IX + d)     |                       |   |               |                |           |   |   |   | LD L,<br>(IX + d)  |
|   | 7 | LD<br>(IX + d)<br>, B | LD<br>(IX + d)<br>, C | LD<br>(IX + d)<br>, D | LD<br>(IX + d)<br>, E | LD<br>(IX + d)<br>, H | LD<br>(IX + d)<br>, L |                       | LD<br>(IX + d)<br>, A |   |               |                |           |   |   |   | LDA,<br>(IX + d)   |
|   | 8 |                       |                       |                       |                       |                       |                       | ADD<br>(IX + d)       |                       |   |               |                |           |   |   |   | ADC I,<br>(IX + d) |
|   | 9 |                       |                       |                       |                       |                       |                       | SUB<br>(IX + d)       |                       |   |               |                |           |   |   |   | SBC A,<br>(IX + d) |
|   | 8 |                       |                       |                       |                       |                       |                       | AND<br>(IX + d)       |                       |   |               |                |           |   |   |   | XOR<br>(IX + d)    |
|   | 9 |                       |                       |                       |                       |                       |                       | OR<br>(IX + d)        |                       |   |               |                |           |   |   |   | CP<br>(IX + d)     |
|   | C |                       |                       |                       |                       |                       |                       |                       |                       |   |               |                |           | Ⓢ |   |   |                    |
|   | D |                       |                       |                       |                       |                       |                       |                       |                       |   |               |                |           |   |   |   |                    |
|   | E |                       | POP<br>IX             |                       | EX<br>(SP), IX        |                       | PUSH<br>IX            |                       |                       |   | JP<br>(IX)    |                |           |   |   |   |                    |
|   | F |                       |                       |                       |                       |                       |                       |                       |                       |   | LD<br>SP, IX  |                |           |   |   |   |                    |

120489

Note Ⓢ: Special 2 byte Opcode Instructions (ref. Table (VI))

TMPZ84C011A Instruction Map (5/7)

④ Byte 1 “FD”

Instruction Table ( V ) ( Byte 2 of 2-byte Opcode )

| H | L | 0                    | 1                    | 2                    | 3                    | 4                    | 5                    | 6                    | 7                    | 8 | 9            | A             | B         | C | D | E                      | F |
|---|---|----------------------|----------------------|----------------------|----------------------|----------------------|----------------------|----------------------|----------------------|---|--------------|---------------|-----------|---|---|------------------------|---|
|   | 0 |                      |                      |                      |                      |                      |                      |                      |                      |   | ADD<br>IY,BC |               |           |   |   |                        |   |
|   | 1 |                      |                      |                      |                      |                      |                      |                      |                      |   | ADD<br>IY,DE |               |           |   |   |                        |   |
|   | 2 |                      | LD<br>IY,nn          | ID<br>(mn),IY        | INC<br>IY            |                      |                      |                      |                      |   | ADD<br>IY,IY | LD<br>IY,(mn) | DEC<br>IY |   |   |                        |   |
|   | 3 |                      |                      |                      |                      | INC<br>(IY + d)      | DEC<br>(IY + d)      | LD<br>(IY + d)<br>,n |                      |   | ADD<br>IY,SP |               |           |   |   |                        |   |
|   | 4 |                      |                      |                      |                      |                      |                      | LD B,<br>(IY + d)    |                      |   |              |               |           |   |   | LD C,<br>(IY + d)      |   |
|   | 5 |                      |                      |                      |                      |                      |                      | LD D,<br>(IY + d)    |                      |   |              |               |           |   |   | LD E,<br>(IY + d)      |   |
|   | 6 |                      |                      |                      |                      |                      |                      | LD H,<br>(IY + d)    |                      |   |              |               |           |   |   | LD L,<br>(IY + d)      |   |
|   | 7 | LD<br>(IY + d)<br>,B | LD<br>(IY + d)<br>,C | LD<br>(IY + d)<br>,D | LD<br>(IY + d)<br>,E | LD<br>(IY + d)<br>,H | LD<br>(IY + d)<br>,L |                      | LD<br>(IY + d)<br>,A |   |              |               |           |   |   | LDA,<br>(IY + d)       |   |
|   | 8 |                      |                      |                      |                      |                      |                      | ADD<br>(IY + d)      |                      |   |              |               |           |   |   | ADDC<br>A,<br>(IY + d) |   |
|   | 9 |                      |                      |                      |                      |                      |                      | SUB<br>(IY + d)      |                      |   |              |               |           |   |   | SUBC<br>A,<br>(IY + d) |   |
|   | 8 |                      |                      |                      |                      |                      |                      | AND<br>(IY + d)      |                      |   |              |               |           |   |   | XOR<br>(IY + d)        |   |
|   | 9 |                      |                      |                      |                      |                      |                      | OR<br>(IY + d)       |                      |   |              |               |           |   |   | CP<br>(IY + d)         |   |
|   | C |                      |                      |                      |                      |                      |                      |                      |                      |   |              |               | Ⓢ         |   |   |                        |   |
|   | D |                      |                      |                      |                      |                      |                      |                      |                      |   |              |               |           |   |   |                        |   |
|   | E |                      | POP<br>IY            |                      | EX<br>(SP),IY        |                      | PUSH<br>IY           |                      |                      |   | JP<br>(IY)   |               |           |   |   |                        |   |
|   | F |                      |                      |                      |                      |                      |                      |                      |                      |   | LD<br>SP,IY  |               |           |   |   |                        |   |

Note Ⓢ: Special 2 byte Opcode Instructions (ref. Table (VII))

120489

TMPZ84C011A Instruction Map (6/7)

- ⑤ Byte 1 “DD”
- Byte 2 “CB”

Instruction Table (VI) ( Special case of 2-byte Opcode : Byte 3 )

| H | L | 0 | 1 | 2 | 3 | 4 | 5 | 6                  | 7 | 8 | 9 | A | B | C | D | E                  | F |
|---|---|---|---|---|---|---|---|--------------------|---|---|---|---|---|---|---|--------------------|---|
| 0 |   |   |   |   |   |   |   | RLC<br>(IX + d)    |   |   |   |   |   |   |   | RRC<br>(IX + d)    |   |
| 1 |   |   |   |   |   |   |   | RL<br>(IX + d)     |   |   |   |   |   |   |   | RR<br>(IX + d)     |   |
| 2 |   |   |   |   |   |   |   | SLA<br>(IX + d)    |   |   |   |   |   |   |   | SRA<br>(IX + d)    |   |
| 3 |   |   |   |   |   |   |   |                    |   |   |   |   |   |   |   | SRL<br>(IX + d)    |   |
| 4 |   |   |   |   |   |   |   | BIT 0,<br>(IX + d) |   |   |   |   |   |   |   | BIT 1,<br>(IX + d) |   |
| 5 |   |   |   |   |   |   |   | BIT 2,<br>(IX + d) |   |   |   |   |   |   |   | BIT 3,<br>(IX + d) |   |
| 6 |   |   |   |   |   |   |   | BIT 4,<br>(IX + d) |   |   |   |   |   |   |   | BIT 5,<br>(IX + d) |   |
| 7 |   |   |   |   |   |   |   | BIT 6,<br>(IX + d) |   |   |   |   |   |   |   | BIT 7,<br>(IX + d) |   |
| 8 |   |   |   |   |   |   |   | RES 0,<br>(IX + d) |   |   |   |   |   |   |   | RES 1,<br>(IX + d) |   |
| 9 |   |   |   |   |   |   |   | RES 2,<br>(IX + d) |   |   |   |   |   |   |   | RES 3,<br>(IX + d) |   |
| A |   |   |   |   |   |   |   | RES 4,<br>(IX + d) |   |   |   |   |   |   |   | RES 5,<br>(IX + d) |   |
| B |   |   |   |   |   |   |   | RES 6,<br>(IX + d) |   |   |   |   |   |   |   | RES 7,<br>(IX + d) |   |
| C |   |   |   |   |   |   |   | SET 0,<br>(IX + d) |   |   |   |   |   |   |   | SET 1,<br>(IX + d) |   |
| D |   |   |   |   |   |   |   | SET 2,<br>(IX + d) |   |   |   |   |   |   |   | SET 3,<br>(IX + d) |   |
| E |   |   |   |   |   |   |   | SET 4,<br>(IX + d) |   |   |   |   |   |   |   | SET 5,<br>(IX + d) |   |
| F |   |   |   |   |   |   |   | SET 6,<br>(IX + d) |   |   |   |   |   |   |   | SET 7,<br>(IX + d) |   |

120489

TMPZ84C011A Instruction Map (7/7)

⑥ Byte 1 “FD”

Byte 2 “CB”

Instruction Table ( VII ) ( Special case of 2-byte Opcode : Byte 3 )

| H | L | 0 | 1 | 2 | 3 | 4 | 5 | 6                  | 7 | 8 | 9 | A | B | C | D | E                  | F |
|---|---|---|---|---|---|---|---|--------------------|---|---|---|---|---|---|---|--------------------|---|
| 0 |   |   |   |   |   |   |   | RLC<br>(IY + d)    |   |   |   |   |   |   |   | RRC<br>(IY + d)    |   |
| 1 |   |   |   |   |   |   |   | RL<br>(IY + d)     |   |   |   |   |   |   |   | RR<br>(IY + d)     |   |
| 2 |   |   |   |   |   |   |   | SLA<br>(IY + d)    |   |   |   |   |   |   |   | SRA<br>(IY + d)    |   |
| 3 |   |   |   |   |   |   |   |                    |   |   |   |   |   |   |   | SRL<br>(IY + d)    |   |
| 4 |   |   |   |   |   |   |   | BIT 0,<br>(IY + d) |   |   |   |   |   |   |   | BIT 1,<br>(IY + d) |   |
| 5 |   |   |   |   |   |   |   | BIT 2,<br>(IY + d) |   |   |   |   |   |   |   | BIT 3,<br>(IY + d) |   |
| 6 |   |   |   |   |   |   |   | BIT 4,<br>(IY + d) |   |   |   |   |   |   |   | BIT 5,<br>(IY + d) |   |
| 7 |   |   |   |   |   |   |   | BIT 6,<br>(IY + d) |   |   |   |   |   |   |   | BIT 7,<br>(IY + d) |   |
| 8 |   |   |   |   |   |   |   | RES 0,<br>(IY + d) |   |   |   |   |   |   |   | RES 1,<br>(IY + d) |   |
| 9 |   |   |   |   |   |   |   | RES 2,<br>(IY + d) |   |   |   |   |   |   |   | RES 3,<br>(IY + d) |   |
| A |   |   |   |   |   |   |   | RES 4,<br>(IY + d) |   |   |   |   |   |   |   | RES 5,<br>(IY + d) |   |
| B |   |   |   |   |   |   |   | RES 6,<br>(IY + d) |   |   |   |   |   |   |   | RES 7,<br>(IY + d) |   |
| C |   |   |   |   |   |   |   | SET 0,<br>(IY + d) |   |   |   |   |   |   |   | SET 1,<br>(IY + d) |   |
| D |   |   |   |   |   |   |   | SET 2,<br>(IY + d) |   |   |   |   |   |   |   | SET 3,<br>(IY + d) |   |
| E |   |   |   |   |   |   |   | SET 4,<br>(IY + d) |   |   |   |   |   |   |   | SET 5,<br>(IY + d) |   |
| F |   |   |   |   |   |   |   | SET 6,<br>(IY + d) |   |   |   |   |   |   |   | SET 7,<br>(IY + d) |   |

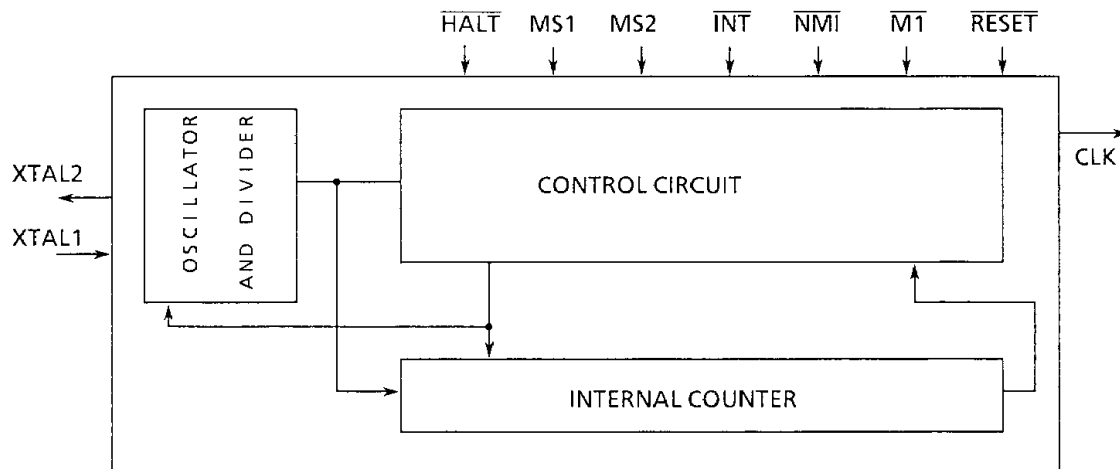
120489

### 3.3 CGC Operations

This subsection describes the system configuration, functions, and basic operations of the clock generator/controller (CGC).

#### 3.3.1 Block Diagram

Figure 3.3.1 shows the block diagram of the CGC.



120489

Figure 3.3.1 Block Diagram

#### 3.3.2 CGC System Configuration

The internal configuration of the CGC is shown in Figure 3.3.1. The waveform from the external oscillated by the internal oscillator and divided by the divider is converted into the square waveform for clock. The clock is controlled by the controller and the counter to be sent to the outside the CGC. The following describes the CGC's main components and their functions.

- (1) Clock Generation
- (2) Operation Modes



[1] Clock Generation

The CGC contains an oscillator. By connecting oscillating elements to external pins (XTAL1 and XTAL2), the required clock can be produced easily. The CGC provides the clock whose frequency is 1/2 of the oscillation frequency. Figure 3.3.2 shows an example of crystal connection.

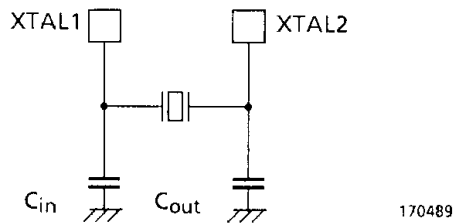


Figure 3.3.2 (a) Example of Crystal Connection

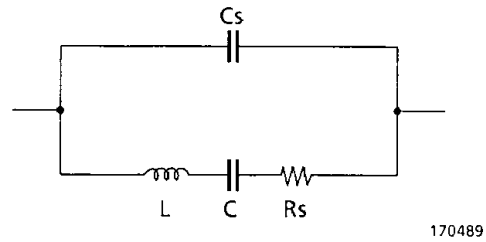


Figure 3.3.2 (b) Oscillator Equivalent Circuit

- (1) For the quartz crystal oscillator, use the MR8000-C20 (oscillation frequency 8 MHz) or MR12000-C20 (oscillation frequency 12 MHz) manufactured by Tokyo Denpa Company Ltd., or the equivalent;

| Product No. | Holder Type | Frequency (MHz) | Cin (pF) | Cout (pF) | Quartz Crystal Parameter (Typ.) |                     |                    | Drive Level (mW) | Condition Load Capacitance (pF) |
|-------------|-------------|-----------------|----------|-----------|---------------------------------|---------------------|--------------------|------------------|---------------------------------|
|             |             |                 |          |           | C <sub>1</sub> (pF)             | C <sub>0</sub> (pF) | R <sub>1</sub> (Ω) |                  |                                 |
| MR8000-C20  | HC-49-U     | 8               | 22       | 33        | —                               | 4.00                | 30.0               | —                | —                               |
| MR8000-C14  |             | 8               | 20       | 20        | 0.0189                          | 3.87                | 6.0                | 0.5              | 12.67                           |
| MR12000-C20 |             | 12              | 33       | 33        | —                               | 4.00                | 25.0               | —                | —                               |
| MR12000-C14 | (TR-49)     | 12              | 20       | 20        | 0.0190                          | 3.81                | 6.9                | 0.5              | 12.55                           |

310589

Note : The load capacitance in the condition does not include any stray capacitance.

- (2) For the ceramic resonator, use the CSA8.00MT, CST8.00MT (oscillation frequency 8 MHz) or CSA12.00MT, CST12.00MT (oscillation frequency 12 MHz) manufactured by Murata MFG Co., Ltd.

| Product No. | Frequency (MHz) | Cin (pF) | Cout (pF) |
|-------------|-----------------|----------|-----------|
| CSA8.00MT   | 8               | 30       | 30        |
| CST8.00MT   | 8               |          |           |
| CSA12.00MT  | 12              | 30       | 30        |
| CST12.00MT  | 12              |          |           |

190589

Note : The CST8.00MT and CST12.00MT need no outer capacitance.

## [2] Operation Modes

The CGC has the capability to control 3 types of operational modes: Run, Idle and Stop. Anyone of them can be selected by MS1, MS2 (Mode Select 1 and 2) pin.

These modes become valid when the MPU executes a HALT instruction. Fetching a HALT instruction, the MPU sets the  $\overline{\text{HALT}}$  signal to "0", telling that it has been put in the halt state. After the execution of the HALT instruction, CGC performs the operation of the specified mode. Table 3.3.1 shows the operations of these modes.

Table 3.3.1 CGC Operation Modes

| MS1 | MS2 | Operation Mode | Description   |
|-----|-----|----------------|---|
| 0   | 0   | Idle mode      | Only the internal oscillator operates, stopping the supply of clock outside. The clock output (CLK) is held at "0". |
| 0   | 1   | —              | Not used.   |
| 1   | 0   | Stop mode      | All internal operations are stopped. The clock output (CLK) is held at "0".   |
| 1   | 1   | Run mode       | The supply of clock outside is continued.   |

120489

The restart from the clock stop state in Idle or Stop mode is performed by reset ( $\overline{\text{RESET}}$  signal) or acknowledge of maskable interrupt ( $\overline{\text{INT}}$  signal) or non-maskable interrupt ( $\overline{\text{NMI}}$  signal).

[3] Warm-up Time for Restart (from Stop mode)

Clearing the halt state by interrupt acknowledge, the MPU begins executing interrupt processing. Therefore, when restarting the clock by the  $\overline{\text{NMI}}$  or  $\overline{\text{INT}}$  restart signal in the Stop mode, its oscillation must be fully stabilized before being supplied outside. The CGC provides, by means of the internal counter, the warm-up time enough for the clock to reach the stabilize frequency. The warm-up ends at the rising edge of the internal counter output derived from dividing the oscillation frequency to start clock output. The warm-up time is equal to the time derived by dividing the frequency of the externally attached oscillator by  $2^{14}$ .

Figure 3.3.3 shows the block diagram of the internal counter. Table 3.3.2 shows the relationship between the oscillation frequency and the warm-up time.

In the restart by the  $\overline{\text{RESET}}$  signal, no warm-up is performed for the quick operation at power-up. Therefore, expand the width of the  $\overline{\text{RESET}}$  signal adequately to provide the warm-up time.

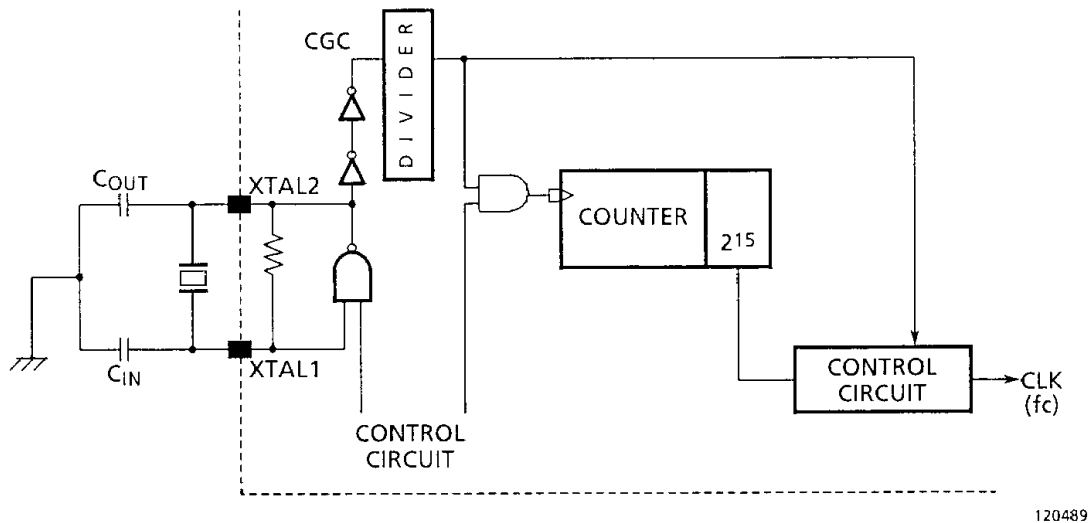


Figure 3.3.3 Block Diagram of Internal Counter

Table 3.3.2 Warm-up Time

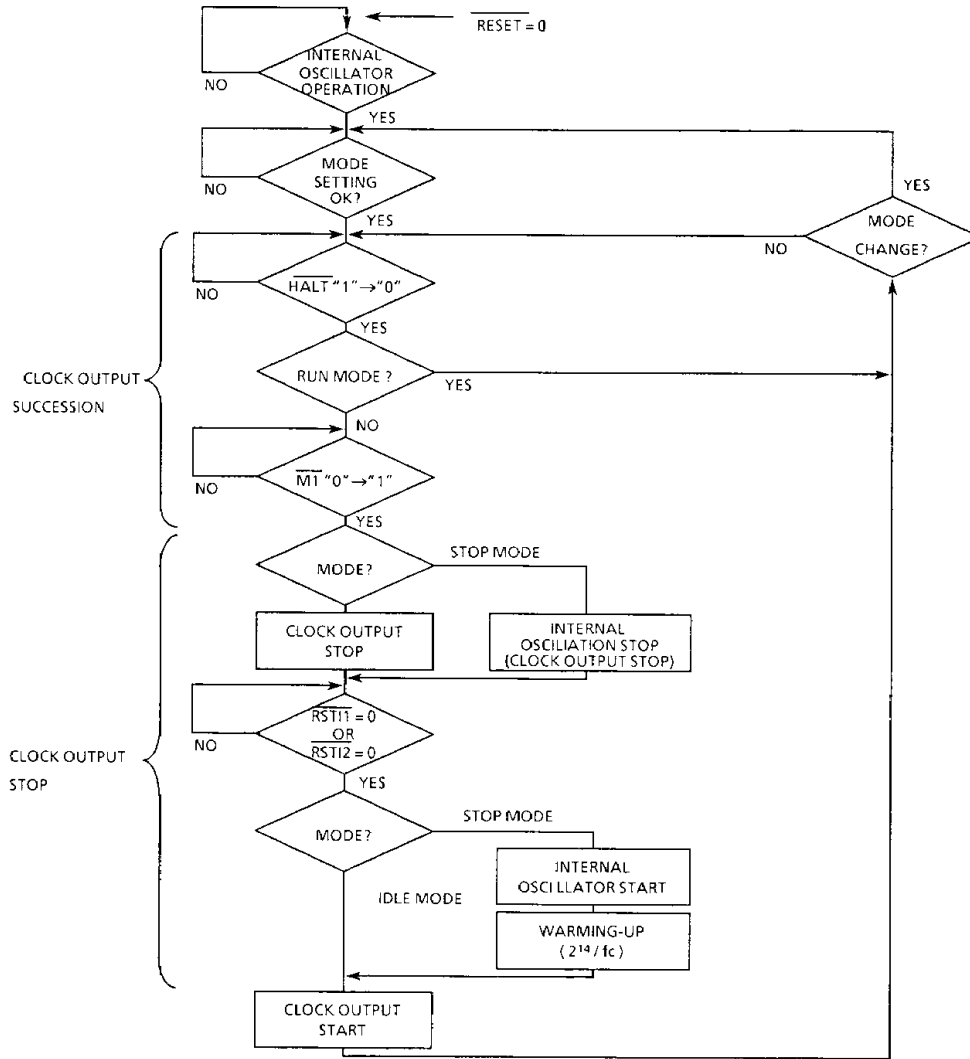
| Counter output | Warm-up time |        |               |
|----------------|--------------|--------|---------------|
|                | 215          | 214/fc | fXTAL = 12MHz |
|                |              | 2.7 ms | 4 ms          |

\* fc = fXTAL/2

3.3.3 CGC Status Transition Diagram and Basic Timing

The following describes the status transition and basic timing to be provided when the CGC operates.

[1] Status Transition Diagram



120489

Figure 3.3.4 Status Transition Diagram

[2] Basic Timing

The following describes the CGC basic timing.

(1) Operation at execution of HALT instruction

The following describes the basic timing in each mode to be provided when the MPU executes a HALT instruction. The MPU sets the  $\overline{\text{HALT}}$  signal to "0" in synchronization with the falling edge of clock state T4 of the HALT instruction Opcode fetch cycle (M1). This signal tells the CGC that the MPU is going to get in the halt state.

(a) Run mode (MS1 = 1, MS2 = 1)

Figure 3.3.5 shows the basic timing in the Run mode. In the Run mode, the CGC continues supplying the clock to the outside even when the MPU is in the halt state. Therefore, the MPU continues executing NOPs during the halt state. The systems which need memory address refresh use this mode.

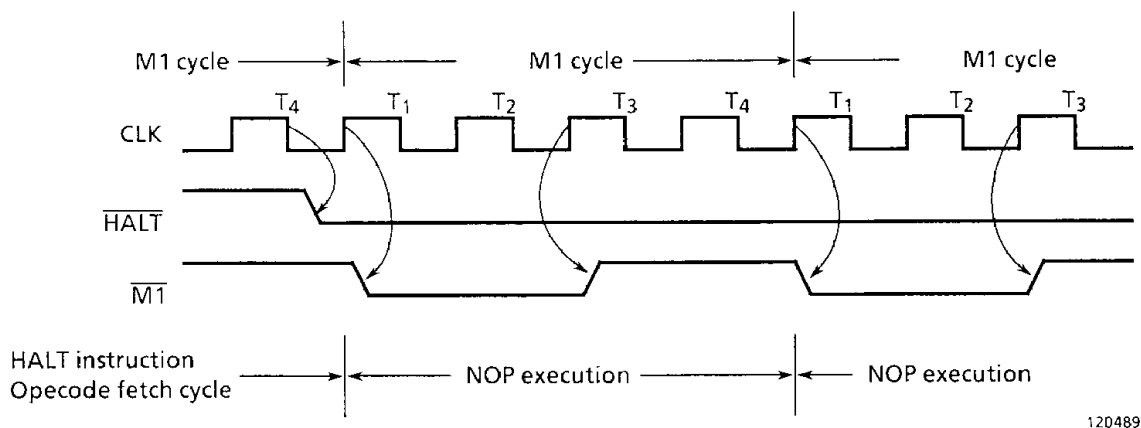


Figure 3.3.5 Basic Timing in Run Mode

(b) Idle mode (MS1 = MS2 = 0), and Stop mode (MS1 = 1, MS2 = 0)

Figure 3.3.6 shows the basic timing in the Idle and Stop modes. In these modes, the clock output is stopped with clock state T4 being "0" by the  $\overline{\text{HALT}}$  signal and the  $\overline{\text{M1}}$  signal which follows the HALT instruction.

However, in the Stop mode, the CGC's internal oscillator also stops.

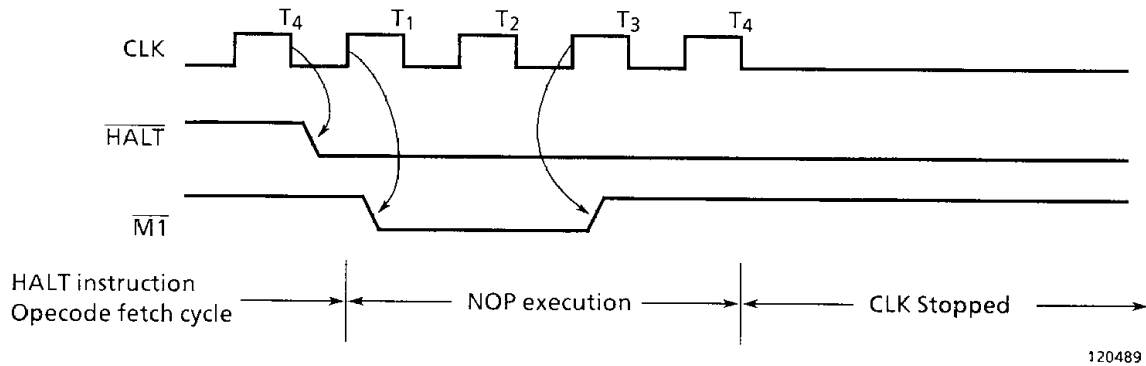


Figure 3.3.6 Basic Timing in Idle and Stop Modes

(2) Clock output restart from each mode

The clock stopped state in the Idle or Stop mode is cleared by setting any of the following signals to “0” (for the system restart operation, see Subsection 3.3.4) :

- $\overline{INT}$  (level trigger input)
- $\overline{NMI}$  (edge trigger input)
- $\overline{RESET}$  (level trigger input)

(a) Clock output restart from Idle mode

Figure 3.3.7 shows the basic timing for the sequence of the output restart from the clock stopped state in the Idle mode. In the restart in the Idle mode, the clock output is restarted in a relatively short delay time because the internal oscillator is operating even in the clock stopped state.

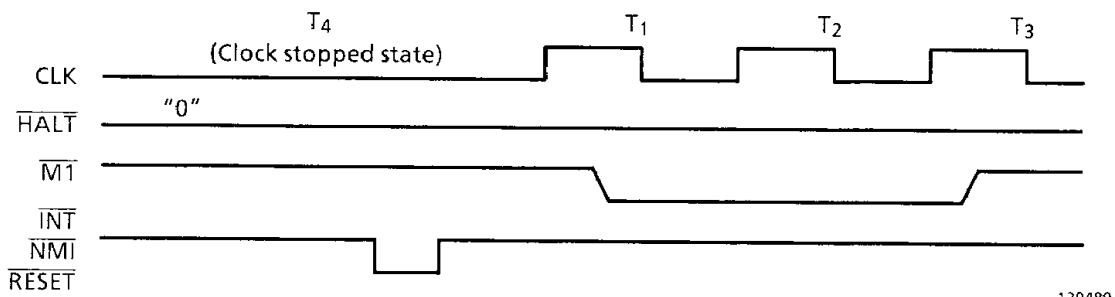
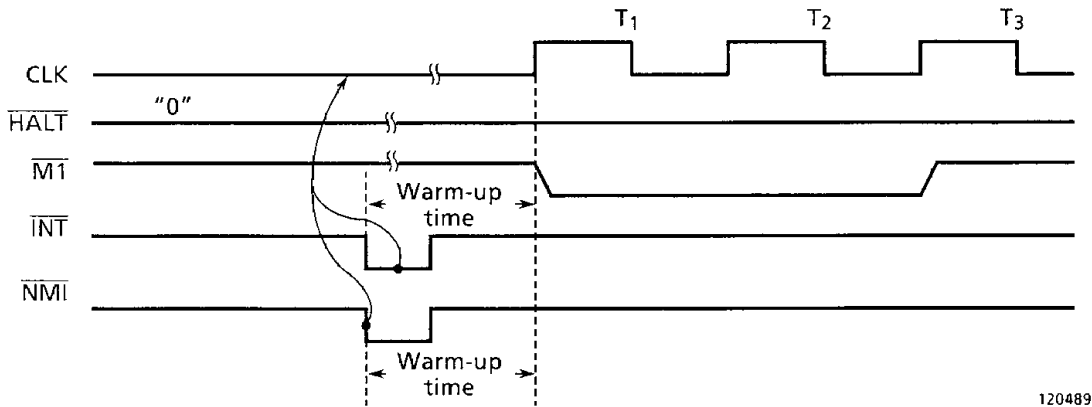


Figure 3.3.7 Basic Timing for Sequence of Restart from Clock stopped State (Idle Mode)

(b) Clock output restart from Stop mode

Figure 3.3.8 shows the basic timing for the sequence of the restart from the clock stopped state in the Stop mode. When restarting by setting the  $\overline{\text{INT}}$  or  $\overline{\text{NMI}}$  signal to “0”, the warm-up time is automatically created by the internal counter. In the restart by the  $\overline{\text{RESET}}$  signal, oscillation restarts without warm-up.



120489

Figure 3.3.8 Basic Timing for Sequence of Restart from Clock Stopped State (Stop Mode)

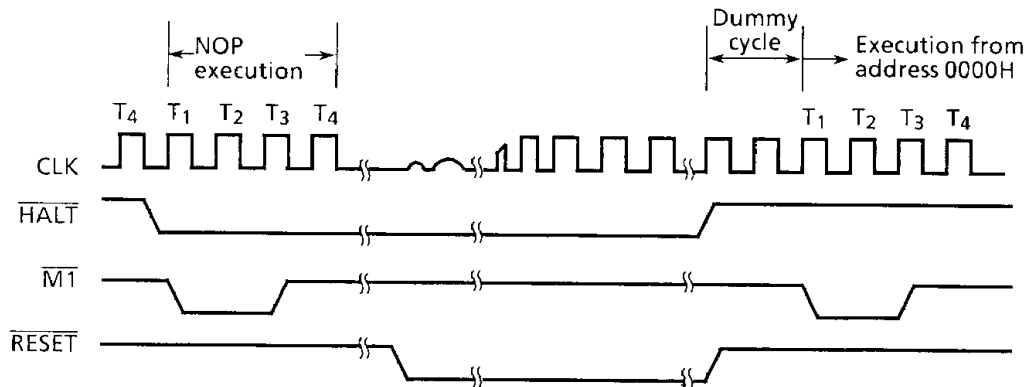
3.3.4 Relationship with MPU

The following describes the relationship between the CGC and the MPU mainly in terms of the halt clear operation.

[1] RESET Signal

Figure 3.3.9 shows an example of the timing for the restart from the Stop mode on the TMPZ84C011A sharing the MPU and CGC  $\overline{\text{RESET}}$  signals. To reset the MPU, the  $\overline{\text{RESET}}$  signal must be set to “0” for at least 3 stable clocks. When the  $\overline{\text{RESET}}$  signal goes “1”, the MPU gets out of the halt state after a dummy cycle of 2 clock states to start executing instructions from address 0000H.

To restart the clock output by the  $\overline{\text{RESET}}$  signal in the Stop mode, the internal counter to determine the warm-up time does not operate. Therefore, if the MPU does not restart correctly due to the unstable clock output immediately after the restart of the internal oscillator, or when the stability of the crystal at power-up is considered, the  $\overline{\text{RESET}}$  signal must be held at “0” for a time long enough for the MPU to be reset securely.



120489

Figure 3.3.9 Example of Clock Restart Timing by  $\overline{\text{RESET}}$  Signal

## [2] Clearing Halt State by Interrupt Signal

The CGC restarts the clock output from the Idle or Stop mode by the input of  $\overline{\text{INT}}$  or  $\overline{\text{NMI}}$  signal. By this clock, the MPU starts operating. However, when the CGC restarts the clock output, the MPU is still in the halt state executing NOPs. To clear the halt state, the interrupt signal must be entered into the MPU (in the case of the  $\overline{\text{INT}}$  signal, the signal for at least one instruction). The MPU interrupt is detected at the rising edge of the last clock of each instruction (NOP for the halt state).

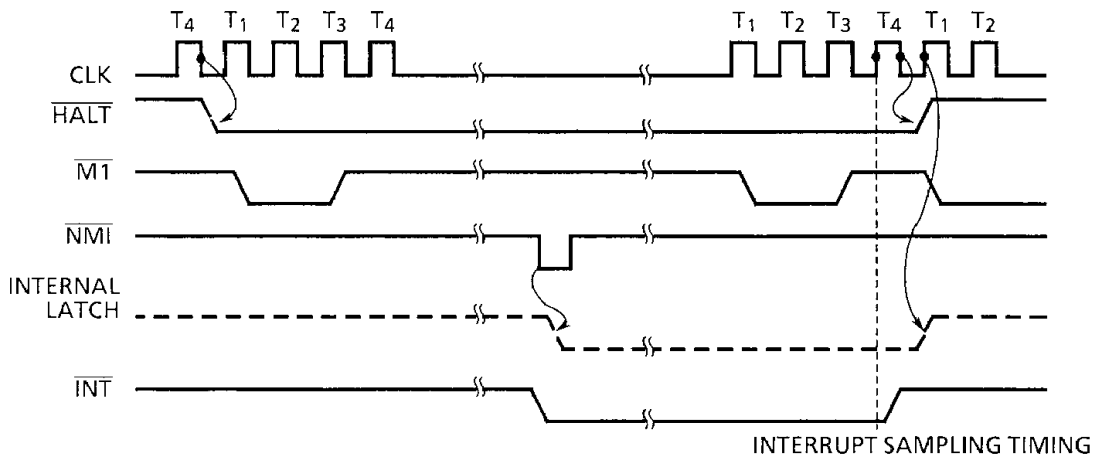
## (1) When using non-maskable interrupt (NMI)

MPU's non-maskable interrupt is triggered by edge. The MPU contains the flip-flop to detect an interrupt. That is, the state of this internal NMI flip-flop is sampled at the rising edge of the last clock of each instruction. Therefore, when a short active low ("0") pulse has been inserted before the interrupt detection timing, the interrupt is acknowledged. The  $\overline{\text{NMI}}$  input of the TMPZ84C011A is connected to the  $\overline{\text{NMI}}$  input of the MPU via the CGC, performing the same operations as above. (See Figure 3.3.11.)

## (2) When using maskable interrupt (INT)

With a maskable interrupt, the maskable interrupt enable flip-flop (IFF) must be set to "1" by program before "0" of the  $\overline{\text{INT}}$  input signal is detected. Even if the CGC accepts the  $\overline{\text{INT}}$  signal to restart supply the clock, no interrupt is acknowledge unless the  $\overline{\text{INT}}$  signal is kept inserted until one instruction (NOP) has been executed. Figure 3.3.10 shows the timing for clearing the halt state by the interrupt signal.





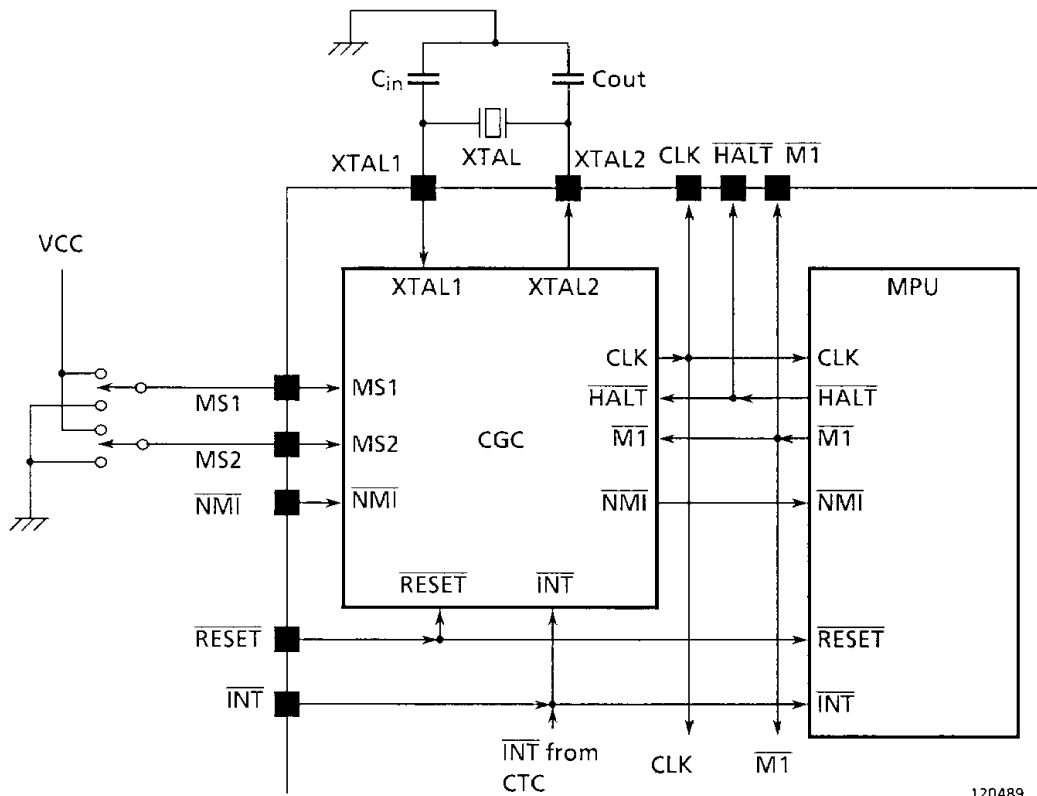
INTERRUPT SAMPLING TIMING

120489

Figure 3.3.10 Timing for Clearing Halt State by Interrupt Signal

[3] Connecting CGC to MPU on TMPZ84C011A

Figure 3.3.11 shows the connection between the CGC and the MPU on the TMPZ84C011A.



120489

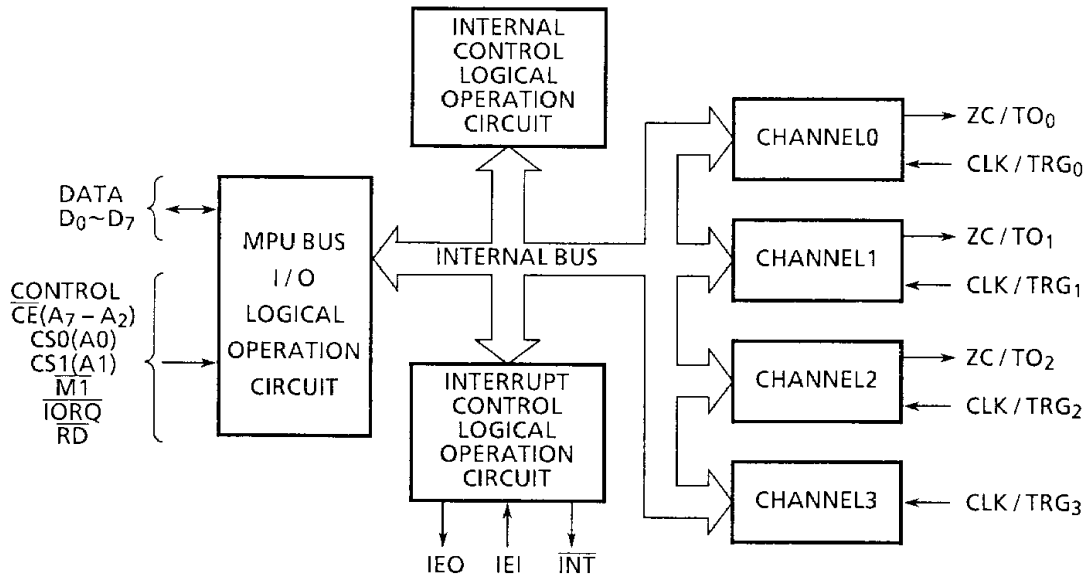
Figure 3.3.11 Connection Between CGC and MPU

3.4 CTC Operational Description

The CTC has 4 independent channels. To these channels, addresses are allocated on the TMPZ84C011A's I/O map, permitting the read/write of the channels in the MPU's I/O cycle. (See Figure 3.4.1.) This subsection mainly describes the operation to be performed after the CTC is accessed.

3.4.1 CTC Block Diagram

Figure 3.4.1 shows the block diagram of the CTC.



120489

Figure 3.4.1 Block Diagram of CTC

### 3.4.2 CTC System Configuration

The CTC system consists of the following 4 logic circuits:

- (1) MPU bus I/O logic circuit
- (2) Internal control logic circuit
- (3) Interrupt control logic circuit
- (4) Four independent counter/timer channel logic circuits

#### [1] MPU Bus I/O Logic Circuit

This circuit transfer data between the MPU and the CTC.

#### [2] Internal Control Logic Circuit

This circuit controls the CTC's operation functions such as the CTC selector chip enable, reset, and read/write circuits.

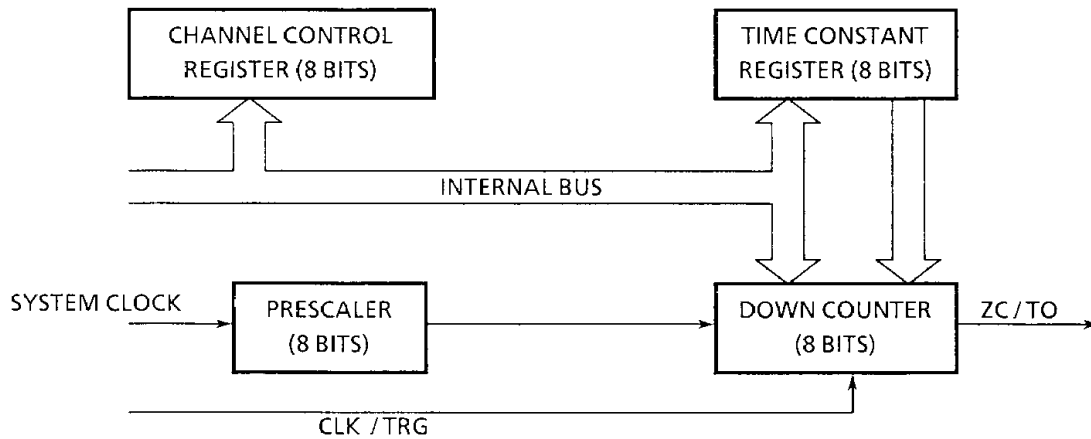
#### [3] Interrupt Control Logic Circuit

This circuit performs the MPU interrupt related processing such as priority determination. The priority with other LSIs is determined by the physical location in daisy chain connection.

#### [4] Counter/Timer Channel Logic Circuit

This circuit consists of the following 2 registers and 2 counters. Figure 3.4.2 shows the configuration of this circuit.

- Time-constant register (8 bits)
- Channel control register (8 bits)
- Down-counter (8 bits)
- Prescaler (8 bits)



120489

Figure 3.4.2 Configuration of Counter/Timer Channel Logic Circuit

(1) Time-constant register

This register holds the time constant to be written in the down counter. When the CTC is initialized or the down-counter has reached zero, the time constant is loaded into down-counter. The time constant is set immediately after the MPU has written the channel control word to the channel control register. For a time constant, an integer from 1 to 256 can be used.

(2) Channel control register

This register is used to choose the channel mode or condition according to the channel control word sent from the MPU.

(3) Down-counter

The contents of the time-constant register are loaded into the down counter. In the counter mode, these contents are decremented at each edge of the external clock; in the timer mode, they are decremented for each prescaler clock output. The contents of the time-constant register are loaded at initialization or when the down-counter has reached zero.

The contents of the down-counter can be read any time. Also, the system can be programmed so that an interrupt request is generated each time the down-counter has reached zero.

(4) Prescaler

The prescaler, used only in the timer mode, divides the system clock by a factor of 16 or 256. The prescaler factor can be programmed by channel control word. The output of the prescaler becomes the clock input to the down-counter.

### 3.4.3 CTC Basic Operations

#### [1] Reset

The state of the CTC is unstable after it is powered on. To initialize the CTC, the low level signal needs to be applied to the  $\overline{\text{RESET}}$  pin. On any channel, the channel control word and time-constant data must be written to the channel to be started before it is started in the counter or timer mode. To program the system to enable interrupts, the interrupt vector word must be written to the interrupt controller. When these data have been written to the CTC, it is ready to start.

#### [2] Interrupt

The CTC can cause an interrupt when the MPU is operating in the mode 2. The CTC interrupt can be programmed for each channel. Each time the channel's down-counter has reached zero, the CTC outputs the interrupt request signal ( $\overline{\text{INT}}$ ). When the MPU accepts the CTC's interrupt request, the CTC outputs the interrupt vector. Based on this interrupt vector, the MPU specifies the start address of the interrupt processing routine and calls it to start interrupt processing.

Because the MPU specifies the start address of the interrupt processing routine by the interrupt vector from the CTC, the user can change the vector value to call any desired address.

The interrupt processing is terminated when the MPU executes an RETI instruction. The CTC has the circuit which decodes the RETI instruction. By constantly monitoring the data bus CTC can know the termination of the interrupt processing.

The interrupt priority with the Z80 peripheral LSIs is determined by the daisy chain connection. That is, the peripheral LSIs are connected in series and physically nearer the MPU, a higher priority is given. Inside the CTC, channel 0 is given the highest priority followed by channels 1, 2 and 3 in this order.

The CTC has the signal lines IEO and IEI. Connect the IEO of a higher peripheral LSI to the IEI of a lower peripheral LSI. Connect the IEI of the highest peripheral LSI to VCC. Leave the IEO of the lowest peripheral LSI unused. In this connection, the CTC interrupt is caused under the following conditions:

- When both IEI and IEO are high, no interrupt is caused. At this time, the  $\overline{\text{INT}}$  signal is high. An interrupt can be requested in this state.
- When the CTC outputs the interrupt request signal ( $\overline{\text{INT}}$ ), the IEO of the CTC becomes low. When the MPU accepts the interrupt, the  $\overline{\text{INT}}$  pin goes high again.
- When the IEI goes low, the IEO also goes low.
- While the IEI is low, no interrupt can be requested.
- When the IEI goes low while an interrupt is being serviced, the interrupt processing is aborted.

### [3] Operation Modes

The CTC operates in either the counter mode or the timer mode. Mode selection is programmed by writing the channel control word.

#### (1) Counter mode

In the counter mode, the number of edge of the pulses applied to the channel's CLK/TRG pin is counted. When pulses have been input, the contents of the down-counter are decremented in synchronization with the rising edge of the next system clock. The pulse's rising edge or falling edge to be counted can be specified by the channel control word.

When the down-counter has read zero, the high level pulses is output from the ZC/TO pin. When the interrupt is enabled by the channel control word, the  $\overline{\text{INT}}$  pin goes low and an interrupt is requested. When the down-counter has reached zero, the time constant data written in the time constant register is automatically loaded into the down-counter. To load a new time constant value into the down-counter, write the data to the time constant register, and it is loaded into the down-counter after the end of the current count operation.

#### (2) Timer mode

In the timer mode, the time intervals which are integral multiples of the system clock period. A timer interval is measured against the system clock. The system clock is supplied to the prescaler which divides it by a factor of 16 or 256. The output of the prescaler provides the clock to decrement the down-counter by 1. The time constant data is automatically loaded in the down-counter each time it has reached zero as in the counter mode. When the down-counter has reached zero, the high level pulse is output from the ZC/TO pin.

The period of this pulse is given by the following expression:

$$tc \cdot P \cdot TC$$

Where,  $tc$  = System clock period

$P$  = Prescaler value (16 or 256)

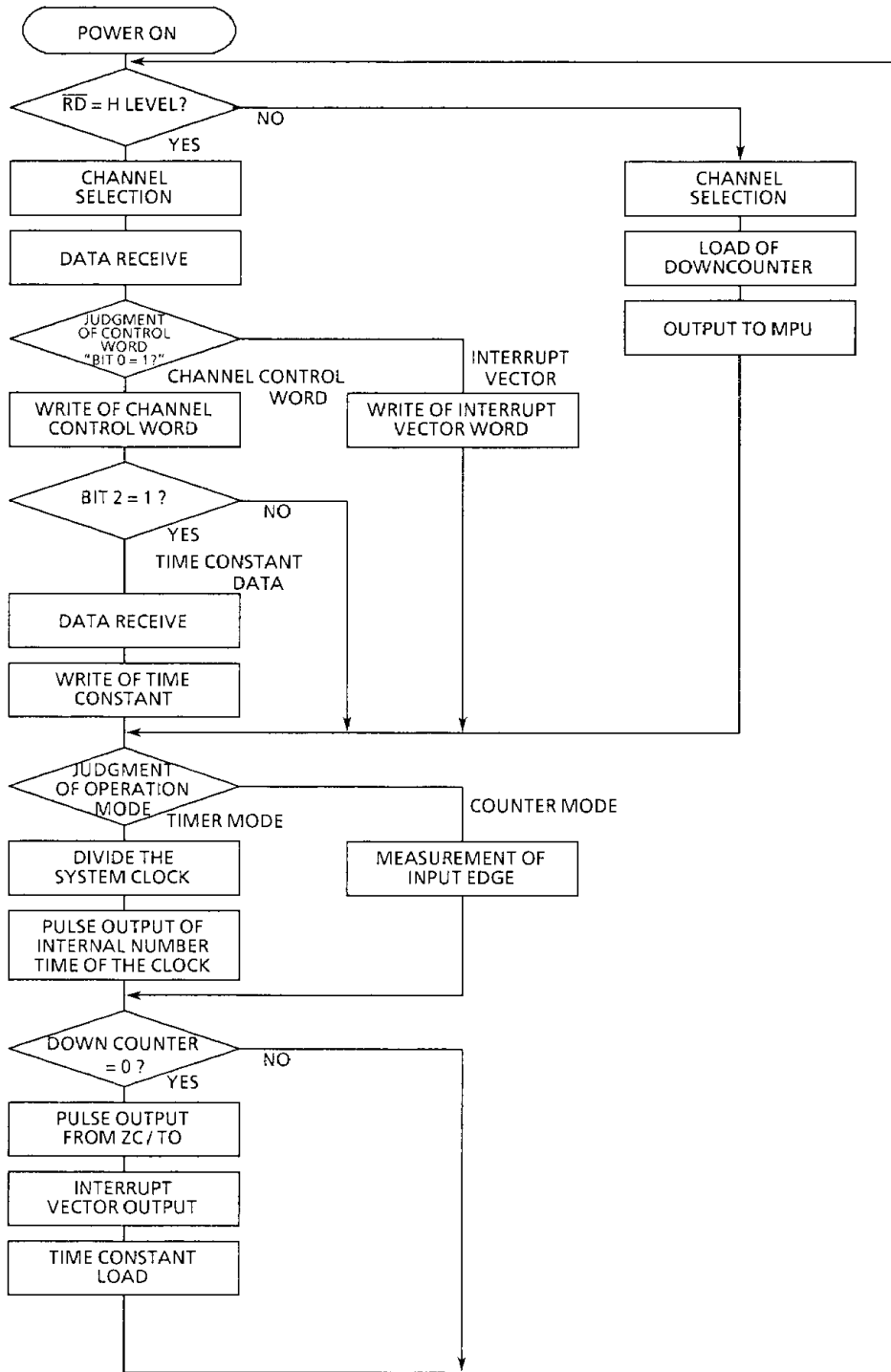
$TC$  = Time constant data (256 for 00H)

The user can specify, by means of the channel control word, whether to start the timer automatically or not and start the timer at the edge of the pulse at CLK/TRG pin or not, and, if the edge is used, start the timer at the rising edge or the falling edge.

### 3.4.4 CTC Status Transition Diagram and Basic Timing

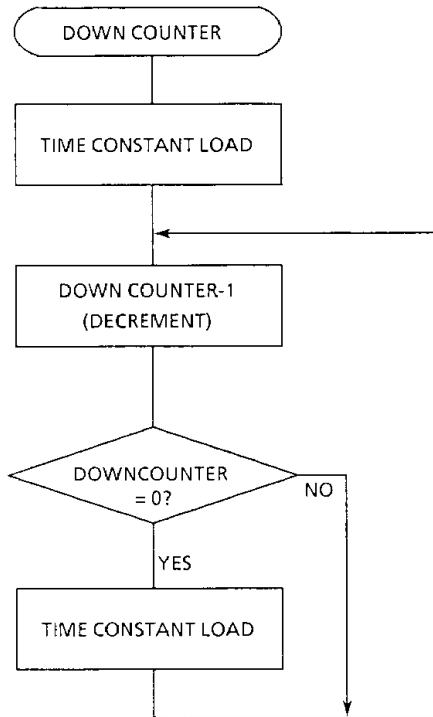
#### [1] Transition Diagram

Figure 3.4.3 shows the CTC status transition diagram.



120489

Figure 3.4.3 (a) CTC Transition Diagram (a)



120489

Figure 3.4.3 (b) CTC Transition Diagram (b)

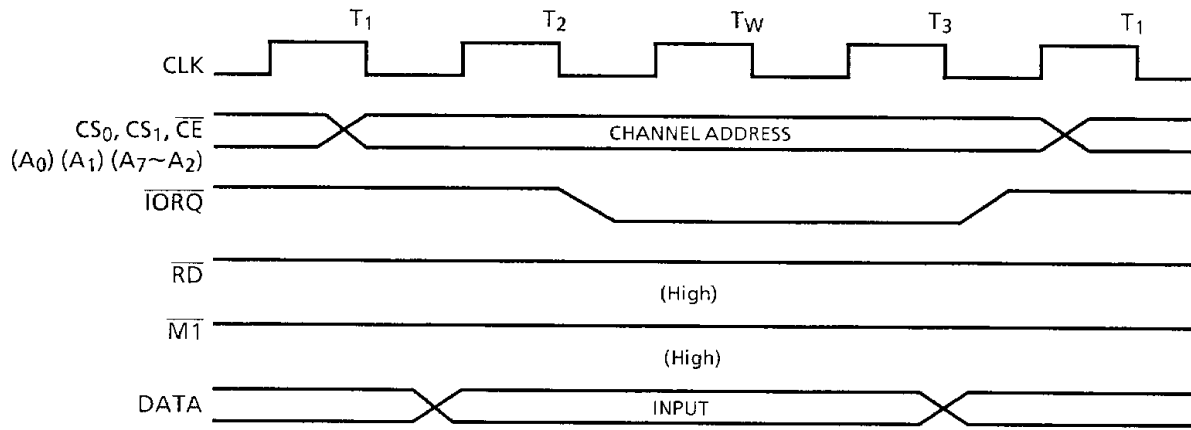
[2] Basic Timing

(1) Write cycle

The write cycle is used to write a channel control word, an interrupt vector, or a time constant. The MPU makes low the  $\overline{\text{IORQ}}$  pin of the CTC in the subsequent system clock cycle T2 to start the write cycle. It is required to make high the M1 pin of the CTC to indicate that the write cycle is on.

At the start of the cycle, the channel is specified by CS<sub>1</sub> (A<sub>1</sub>) and CS<sub>0</sub> (A<sub>0</sub>) of the CTC. Thus, the CTC's internal registers are ready to acquire data in system clock T3. Tw is the wait state to be automatically inserted by the MPU.



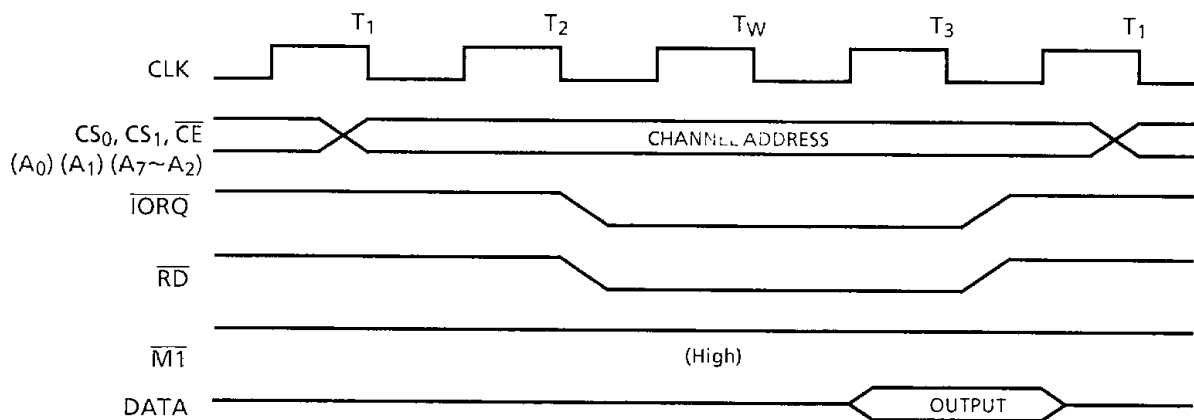


120489

Figure 3.4.4 Write Timing

(2) Read cycle

The read cycle is used to read the contents of the down-counter. In system clock cycle T<sub>2</sub>, the MPU makes low the  $\overline{RD}$  and  $\overline{IORQ}$  pins of the CTC to start the read cycle. It is required to make high the  $\overline{M1}$  pin to indicate that the read cycle is on. At the start of the read cycle, the channel is specified by CS<sub>1</sub> (A<sub>1</sub>) and CS<sub>0</sub> (A<sub>0</sub>) of the CTC. On the rising edge of system clock T<sub>W</sub>, the contents of the down-counter at the time of the rising edge of T<sub>2</sub> are put on the data bus. T<sub>W</sub> is the wait state to be automatically inserted by the MPU.



120489

Figure 3.4.5 Read Timing

## [3] Counter mode

In the counter mode, the down-counter is decremented in synchronization with the system clock, at the edge of the pulse applied from the external circuit connected to the CLK/TRG pin. The period of the pulse to be applied to the CLK/TRG pin must be 2 times greater than the system clock period. Also, it is required to insert the setup time between the active edge of the CLK/TRG pin signal and the rising edge of the succeeding system clock. When the interval between these pulses is short, the down-counter is decremented one system clock later. When the down-counter has reached zero, a high level pulse is output from the ZC/TO pin.

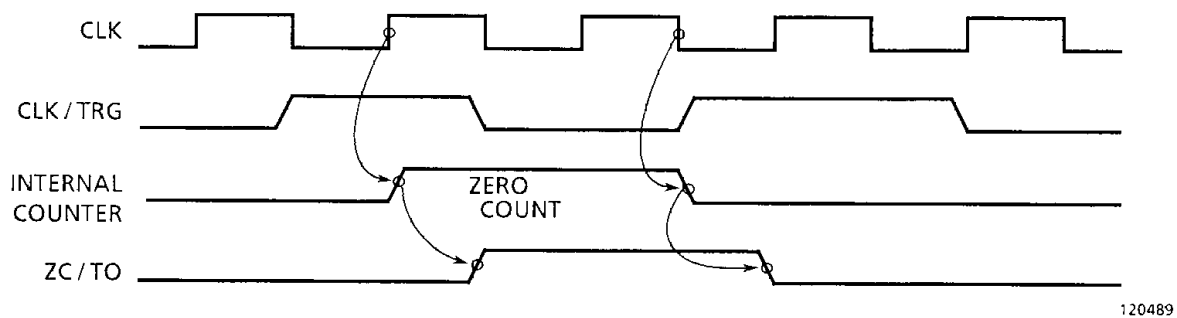


Figure 3.4.6 Counter Mode Timing

## [4] Timer mode

The timer starts operating at the second rising edge of the system clock from the rising edge of the pulse applied from the external circuit connected to the CLK/TRG pin. The period of the pulse to be applied to the CLK/TRG pin must be greater than 2 times the system clock period. Also, it is required to insert the setup time between the active edge of the CLK/TRG pin signal and the rising edge of the succeeding system clock. When the interval between these pulses is short, the timer starts one system clock cycle later.

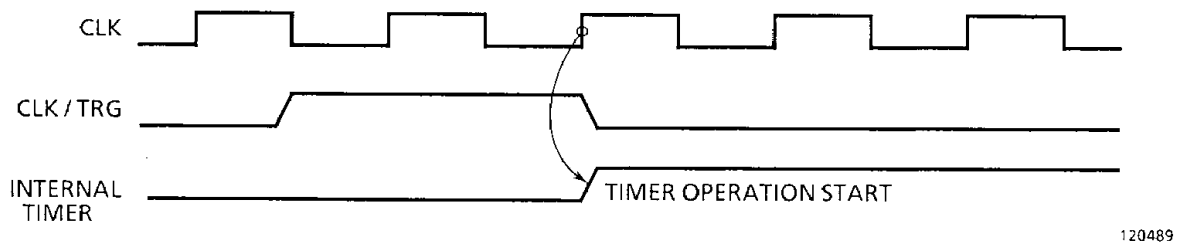


Figure 3.4.7 Timer Mode Timing

[5] Interrupt acknowledge cycle

Having received the interrupt request signal ( $\overline{INT}$ ) from the CTC, the MPU makes low the CTC's  $\overline{MI}$  pin and  $\overline{IORQ}$  pin to provide the acknowledge signal. The  $\overline{IORQ}$  pin goes low 2.5 system clocks later than the  $\overline{MI}$  pin. To stabilize the signal lines (IEI and IEO) in daisy chain connection, the interrupt request cannot be changed on each channel while the  $\overline{MI}$  pin is low. The  $\overline{RD}$  pin is held high to make distinction between the instruction fetch cycle and the interrupt acknowledge cycle. While the  $\overline{RD}$  pin is high, the CTC's interrupt control circuit determines the interrupt-requesting channel with the highest priority. When the CTC's IEI is high and the  $\overline{MI}$  pin and  $\overline{IORQ}$  pin go low, the interrupt vector is output from the interrupt requesting channel with the highest priority on the data bus. At this time, 2 system clock cycles are automatically inserted by the MPU as a wait state to maintain the stabilization of the daisy chain connection.

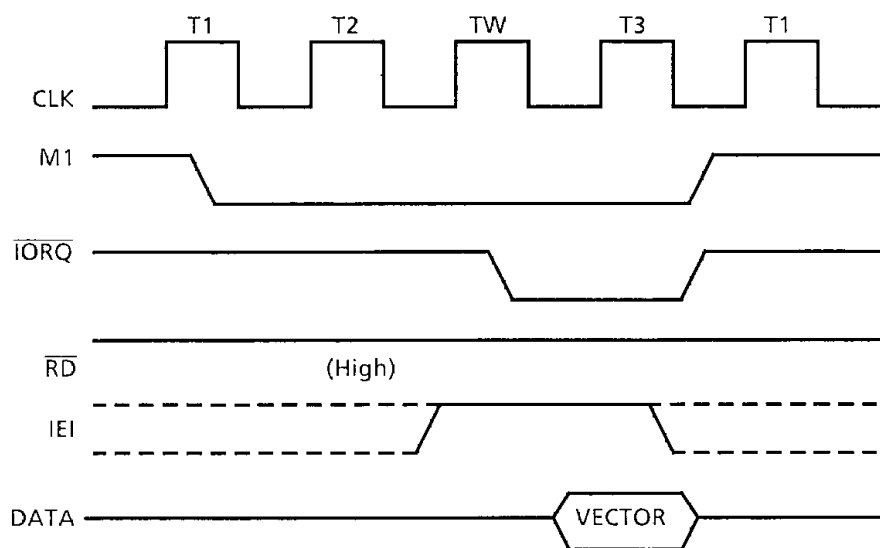


Figure 3.4.8 Interrupt Acknowledge Timing

[6] Return from interrupt processing

Return from the interrupt processing is performed by MPU's executing the RETI instruction. This RETI instruction must be used at the end of the interrupt processing routine. When this instruction is executed by the MPU, the CTC's IEI and IEO return to the state active before the interrupt has been serviced.

The RETI instruction is a 2-byte instruction. Its code is EDH 4DH. The CTC decodes this instruction to check if there is the next interrupt request channel.

In the daisy chain structure, the interrupting LSI's IEI and IEO are held high and low respectively at the time the instruction code EDH has been decoded.

The code following EDH is 4DH, only the peripheral LSI which has sent the interrupt vector (that is, the LSI whose IEI is high and IEO is low) returns from the interrupt processing. This restarts the processing of the pending interrupt of the next higher peripheral LSI.

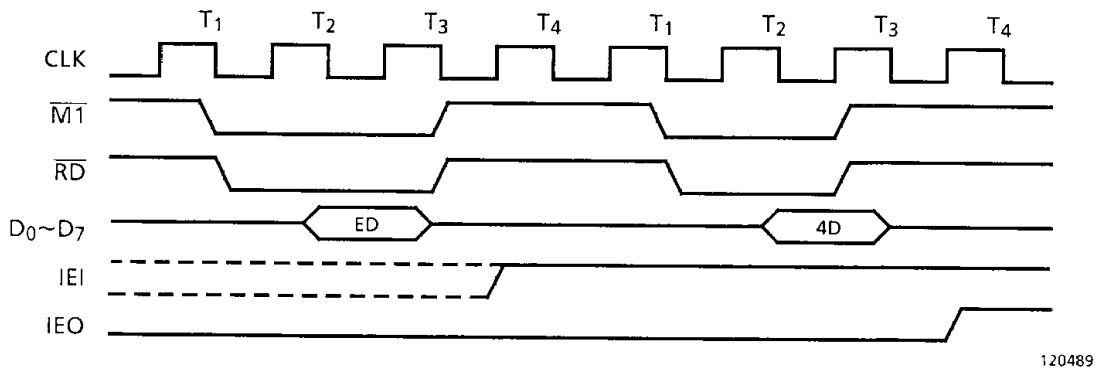


Figure 3.4.9 Interrupt Return Timing

3.4.5 CTC Operational Procedure

To operate the CTC in the counter mode or the timer mode, the channel control word and time-constant data must be written to the CTC. To enable interrupts by the channel control word, the interrupt vector must be written to the CTC.

[1] I/O Address and Channel Control Word

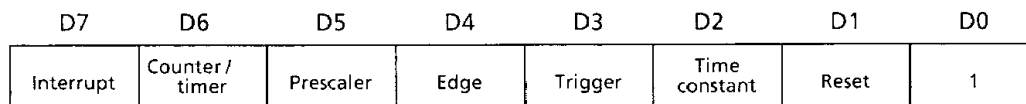
To write the channel control word to the CTC, the channel must be specified by the corresponding channel I/O address. Table 3.4.1 shows the channel I/O addresses.

Table 3.4.1 Channel I/O Addresses

| Channel | I/O address |
|---------|-------------|
| 0       | #10         |
| 1       | #11         |
| 2       | #12         |
| 3       | #13         |

120489

The channel control word to be written to the CTC consists of 8 bits. The system data bus bit D0 through D7 correspond to bit 0 through 7 respectively. Figure 3.4.10 shows the meaning of each bit. Table 3.4.2 shows the function of each bit.



120489

Figure 3.4.10 Channel Control Word

For the channel control word, D0 must always be 1.

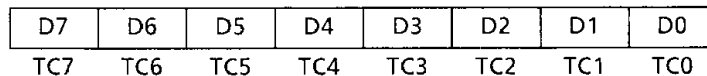
(2/2)

| Bit        | Meaning and function  |   |
|------------|---|---|
|            | 0   | 1   |
| Bit 2 (D2) | Indicates that the channel control word is not followed by the writing of time constant. When the channel is in the reset state, this bit cannot be set to "0" in the first channel control word. To change states with the time constant unchanged, the channel control word with this bit set to "0" must be entered. | Indicates that the channel control word is followed by the writing of time constant. If the time constant is written during down-counter operation, the new time constant is set to the time constant register with proceeding the current counting. When the down-counter has reached zero, the new time constant is loaded into the down-counter.   |
| Bit 1 (D1) | Continues the current channel operation.  | Stops the down-counter operation. When this bit is set to "1", the channel operation stops but the channel control register bits remain unchanged. When bit 2 = "1" and bit 1 = "1", the channel remains stopped until a new time constant is written. Channel restart is set up after the new time constant is programmed. The channel is restarted according to the state of bit 3. When bit 2 = "0" and bit 1 = "1", the channel operation does not start until a new channel control word is written. |

120489

[2] Time-Constant Data

In either the time mode or the counter mode, the time-constant data must be loaded into the time constant register. When bit 2 (D2) of the channel control word is "1", the time constant is loaded into the time constant register immediately after the channel control word is written. A time-constant value must be an integer in a range of 1 to 256. When the 8 bits of a time constant are all "0"s, such a time constant is assumed to be 256. Figure 3.4.11 shows the bit configuration of time-constant data.



120489

Figure 3.4.11 Time-Constant Data

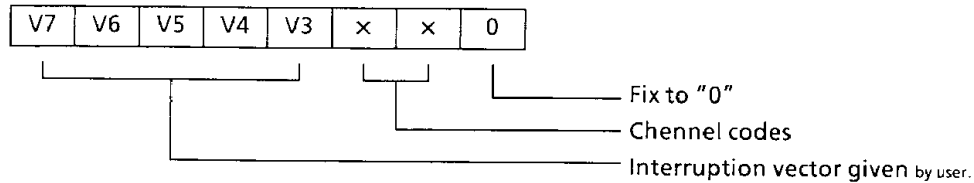
[3] Interrupt Vector

In the MPU mode-2 interrupt, the interrupting channel must give an interrupt vector to the MPU. An interrupt vector is written to the channel-0 interrupt vector register with bit 0 (D0) = "0". The vector is written in the same way as the channel control word is written to channel 0. However, bit 0 (D0) of the vector should always be "0". Bit 7 (D7) through bit 3 (D3) are user-defined values. Bit 2 (D2) and bit 1 (D1) are automatically given and contain the code of the interrupt- requesting channel having the highest priority. Table 3.4.3 shows the channel codes. Figure 3.4.12 shows the interrupt vector bit configuration.

Table 3.4.3 Channel Codes

| Bit 2(D2) | Bit 1(D1) | Channel number | Interrupt priority |
|-----------|-----------|----------------|--------------------|
| 0         | 0         | 0              | (High)             |
| 0         | 1         | 1              | ↑<br>↓<br>(low)    |
| 1         | 0         | 2              |                    |
| 1         | 1         | 3              |                    |

120489



120489

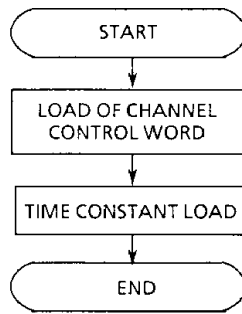
Figure 3.4.12 Interrupt Vector

3.4.6 Using CTC

[1] Counter Mode

The following describes how to use the CTC by referring to a program using channel 0 with interrupt disabled.

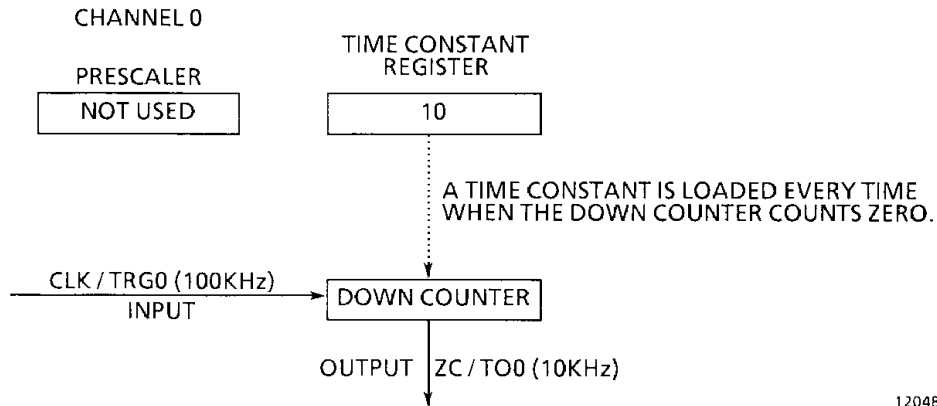
- (a) The counter programming procedure is shown in Figure 3.4.13.



120489

Figure 3.4.13 Counter Programming Procedure

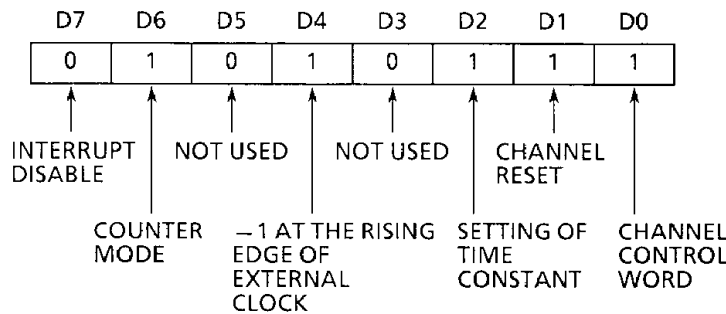
- (b) The block diagram for converting the 100 kHz system clock into the 10 kHz equivalent is shown in Figure 3.4.14.



120489

Figure 3.4.14 Down-Counter Block Diagram

- (c) The channel control word configuration is shown in Figure 3.4.15.



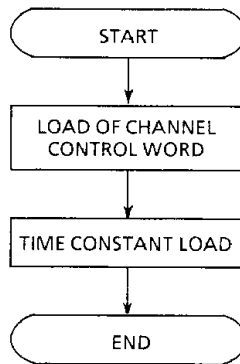
120489

Figure 3.4.15 Channel Control Word Configuration



[2] Timer Mode

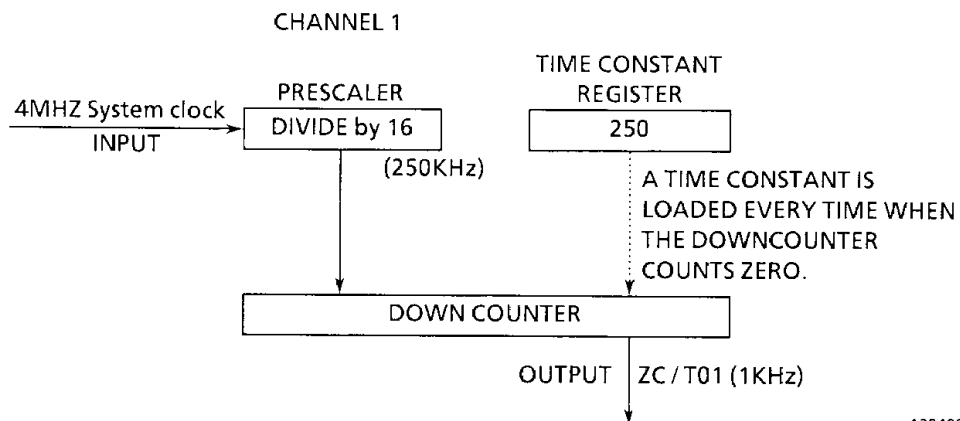
(a) The timer programming procedure without using interrupt is shown in Figure 3.4.16.



120489

Figure 3.4.16 Timer Programming Procedure

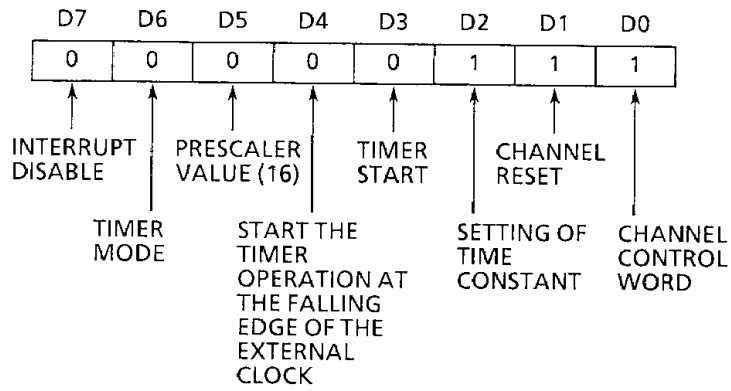
(b) The block diagram for converting the 4 MHz system clock into the 1 kHz equivalent is shown in Figure 3.4.17.



120489

Figure 3.4.17 Timer Block Diagram

(c) The channel control word is shown in Figure 3.4.18.



120489

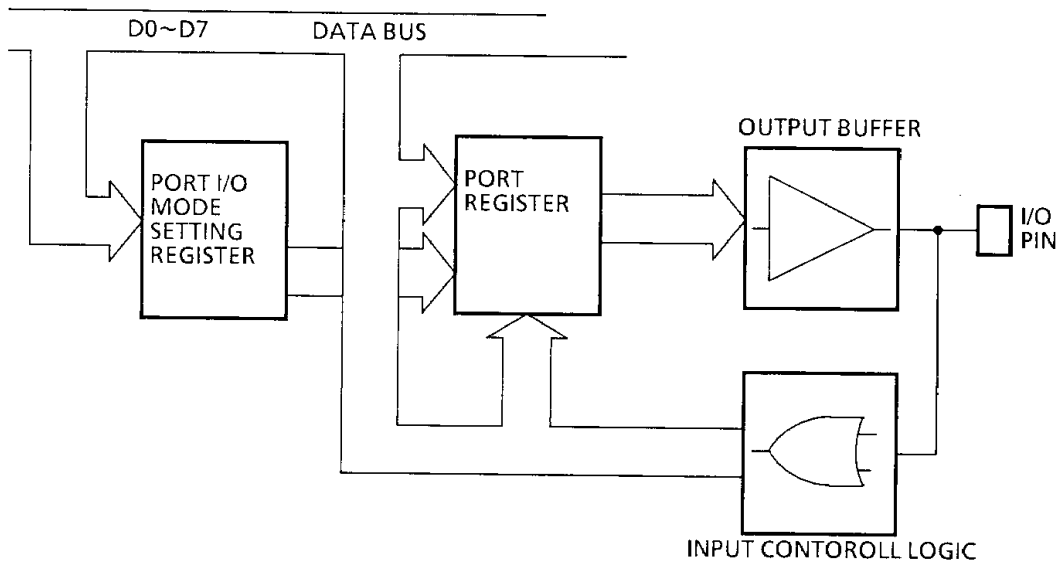
Figure 3.4.18 Channel Control Word Configuration

### 3.5 Description of I/O Operation

This subsection describes the system configuration and operations of the input/output (I/O) section of the TMPZ84C011A. The I/O consists of five 8-bit general-purpose ports (a total of 40 I/Os). Each bit can be programmed for an input or output port.

#### 3.5.1 I/O Block Diagram

Figure 3.5.1 shows the I/O block diagram.



120489

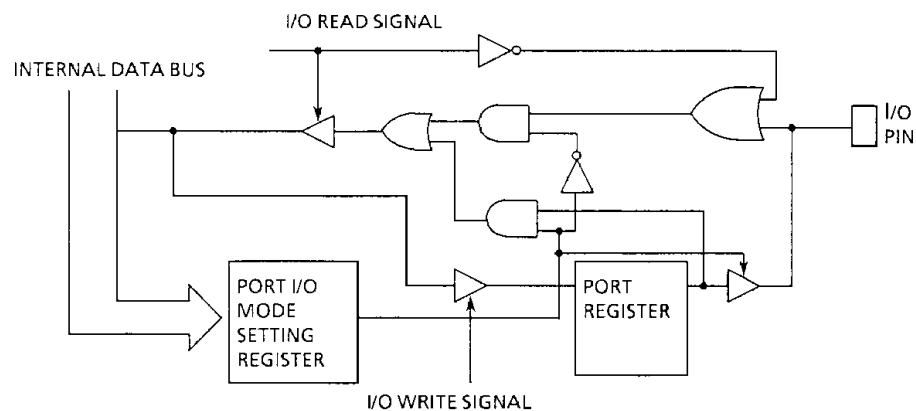
Figure 3.5.1 I/O Block Diagram

### 3.5.2 I/O System Configuration

The I/O system consists of the I/O setting registers, the port registers, the output buffers, and the input control logics.

The I/O setting registers specify whether the port to be used is to operate as an input port or an output port. Each register corresponds to each port bit. The port registers latch the output data to the port pin. The latched output data can also be taken by program into the TMPZ84C011A. These registers and control logics are controlled by the program-controlled  $\overline{\text{IORQ}}$ ,  $\overline{\text{RD}}$ ,  $\overline{\text{WR}}$ , and I/O address signals.

Figure 3.5.2 shows the logic diagram of the I/O port.



- Notes: (1) At reset
- I/O register = "0" ... Input mode
  - Port register = "0"
- (2) I/O read ... Enabled by CPU's I/O input instruction.
- (3) I/O write ... Enabled by CPU's I/O output instruction.

120489

Figure 3.5.2 I/O Port Logic Diagram

### 3.5.3 I/O Port Basic Operations

The I/O setting registers and port registers of the 5 port of the TMPZ84C011A are assigned with the addresses listed in Table 3.5.1 and are enabled by the MPU's I/O instructions.

Table 3.5.1 I/O Addresses of I/O Port

| Register                | I/O address |
|-------------------------|-------------|
| PA I/O setting register | #54         |
| PB I/O setting register | #55         |
| PC I/O setting register | #56         |
| PD I/O setting register | #34         |
| PE I/O setting register | #44         |
| PA port register        | #50         |
| PB port register        | #51         |
| PC port register        | #52         |
| PD port register        | #30         |
| PE port register        | #40         |

120489

#### [1] I/O Setting Registers

The I/O setting registers specify whether an I/O port is to operate as an input port or an output port. As listed in Table 3.5.2, when the register content is "0", the specified port is an input port; when it is "1", the specified port is an output port.

Table 3.5.2 I/O Setting Register Contents and Port Types

| I/O setting register contents | Port type   |
|-------------------------------|-------------|
| 0 (Note)                      | Input port  |
| 1                             | Output port |

Note: At reset

120489

#### [2] Port Registers / I/O Buffer

The port registers latch the data put on the data bus from the MPU and output it to the port pin. They hold the data until it is rewritten.

When using a port register for input, the data can be rewritten by the MPU's I/O output instruction without directly affecting the register operation. When the type of a port registers are switched from input to output during operation, the contents of the port registers are output to the port pins immediately.

When reading the port output data during an output operation, the outputs of the port registers in front of the output buffer are read, if the port pin's load of the port pin gets heavy, making it possible to read the correct data when the output level goes low. When a port is used for input, it becomes the non-latch type in which the input port state of time when the MPU's I/O input instruction has been executed is read.

At reset, the port register contents are cleared to "0".

### [3] I/O Setting Registers vs. Port Registers

As shown in Figure 3.5.3, the I/O setting registers correspond to the port register one by one.



120489

Figure 3.5.3 I/O Setting Registers vs. Port registers

Therefore, the partial change of port bits requires to rewrite contents of the I/O setting registers of the port containing the change bit.

### [4] Precautions

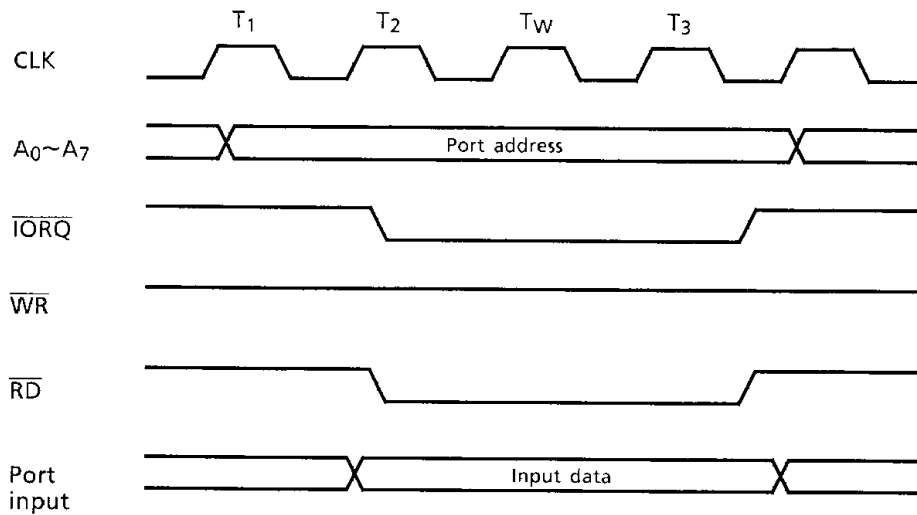
The following points must be taken into account in using the I/O ports:

- (1) When the port types are changed from input to output, the old contents of the port register are output. To avoid this, the contents of the port register must be rewritten with the data to be output before changing the port types. Then, when the port types are changed from input to output, the desired data are output to the port pins, preventing the operational errors of the peripheral devices connected to the pin.
- (2) After reset, all ports are in the input mode and the port register contents are cleared to "0". Therefore, port type change must not be performed immediately. Instead, the content of the port register corresponding the bit to be used for an output port must be replaced with the desired data by the MPU's I/O output instruction before changing the port types to the output port. This streamlines the port operation.

3.5.4 I/O System Basic Timing

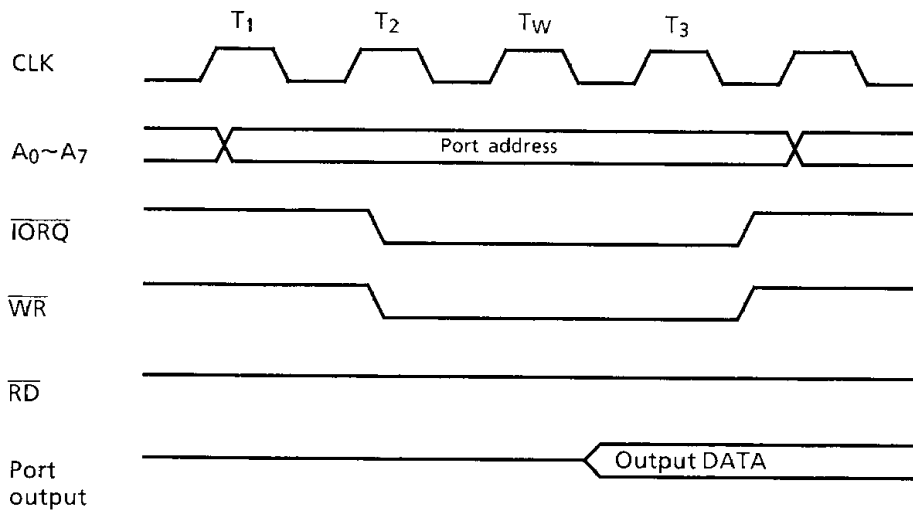
Figure 3.5.4 and 3.5.5 show the basic timings of the I/O ports. The I/O ports of the TMPZ84C011A perform I/O operations according to the MPU's I/O instructions. Therefore, an I/O port address is specified by the low-order 8 bits of the address bus for I/O operations.

In the I/O operation timing, a wait state ( $T_W$ ) is automatically inserted after clock state  $T_2$  like the operation of the TLCS-Z80 MPU.



120489

Figure 3.5.4 Input Cycle Timing Chart



120489

Figure 3.5.5 Output Cycle Timing Chart

## 4. ELECTRICAL CHARACTERISTICS

## 4.1 MAXIMUM RATINGS

| SYMBOL  | ITEM  | RATING               |
|---------|---|----------------------|
| VCC     | Vcc Supply Voltage with respect to Vss        | - 0.5V to 7V         |
| VIN     | Input Voltage                                 | - 0.5V to VCC + 0.5V |
| PD      | Power Dissipation (TA = 85°C)                 | 250mW                |
| TSOLDER | Soldering Temperature (Soldering Time 10 sec) | 260°C                |
| TSTG    | Storage Temperature                           | - 65°C to 150°C      |
| TOPR    | Operating Temperature                         | - 40°C to 85°C       |

120489

## 4.2 DC ELECTRICAL CHARACTERISTICS (1)

TA = -40°C ~ +85°C, Vcc = 5V ± 10%, Vss = 0V

| SYMBOL | PARAMETER                                   | TEST CONDITION  | MIN.           | TYP. | MAX. | UNIT. |    |
|--------|---|---|----------------|------|------|-------|----|
| VIL    | Input Low Voltage<br>(except RESET, XTAL1)  |   | -0.5           | -    | 0.8  | V     |    |
| VIH    | Input High Voltage<br>(except RESET, XTAL1) |   | 2.2            | -    | VCC  | V     |    |
| VILR   | Input Low Voltage<br>(RESET)                |   | -0.5           | -    | 0.45 | V     |    |
| VIHR   | Input High Voltage<br>(RESET)               |   | VCC - 0.6      | -    | VCC  | V     |    |
| VOLC   | Output Low Voltage<br>(CLK)                 | IOL = 2.0mA   | -              | -    | 0.6  | V     |    |
| VOHC   | Output High Voltage<br>(CLK)                | IOH = -2.0mA  | VCC - 0.6      | -    | -    | V     |    |
| VOL    | Output Low Voltage                          | IOL = 2.0mA   | -              | -    | 0.4  | V     |    |
| VOH1   | Output High Voltage 1                       | IOL = -1.6mA  | 2.4            | -    | -    | V     |    |
| VOH2   | Output High Voltage 2                       | IOH = -250µA  | VCC - 0.8      | -    | -    | V     |    |
| ILI    | Input Leakage Current                       | Vss ≤ VIN ≤ Vcc   | -              | -    | ± 10 | µA    |    |
| ILO    | 3-state Output Leakage<br>Current in Float  | Vss + 0.4 ≤ Vout ≤ VCC                                    | -              | -    | ± 10 | µA    |    |
| ICC1   | Power Supply Current                        | Vcc = 5V,<br>fCLK = (1)<br>VIH = VCC - 0.2V<br>VIL = 0.2V | 4MHz           | -    | 15   | 20    | mA |
|        |   |   | 6MHz           | -    | 22   | 30    |    |
| ICC2   | Stand-by supply current                     | Vcc = 5V,<br>(2)<br>VIH = VCC - 0.2V<br>VIL = 0.2V        | 4MHz /<br>6MHz | -    | 0.5  | 50    | µA |
| ICC3   | Power Supply Current<br>(IDLE MODE)         | Vcc = 5V,<br>fCLK = (1)<br>VIH = VCC - 0.2V<br>VIL = 0.2V | 4MHz           | -    | 1.0  | 2.5   | mA |
|        |   |   | 6MHz           | -    | 1.5  | 4     |    |

120489

Note : (1) fCLK = 1/TCC (MIN)

(2) ICC2 Stand-by Supply Current is guaranteed only when the supplied clock is stopped at a low level during T4 state of the following machine Cycle (M1) next to OP code fetch Cycle of HALT instruction.

## 4.2 DC ELECTRICAL CHARACTERISTICS (2)

$T_A = -40^\circ\text{C} \sim +85^\circ\text{C}$ ,  $V_{CC} = 2.7\text{V} \pm 5.5\text{V}$ ,  $V_{SS} = 0\text{V}$  (Low Voltage operation)

| SYMBOL | PARAMETER                                  | TEST CONDITION   | MIN.           | TYP. | MAX.           | UNIT          |
|--------|--|--|----------------|------|----------------|---------------|
| VIL    | Input Low Voltage<br>(except RESET)        |  | -0.3           | -    | 0.2            | V             |
| VIH    | Input High Voltage<br>(except RESET)       |  | $V_{CC} - 0.2$ | -    | $V_{CC} + 0.3$ | V             |
| VOL    | Output Low Voltage                         | $I_{OL} = 1.2\text{mA}$  | -              | -    | 0.4            | V             |
| VOH    | Output High Voltage                        | $I_{OL} = -0.7\text{mA}$   | 2.2            | -    | -              | V             |
| ILI    | Input Leakage Current                      | $V_{SS} \leq V_{IN} \leq V_{CC}$   | -              | -    | $\pm 2$        | $\mu\text{A}$ |
| ILO    | 3-state Output Leakage<br>Current in Float | $V_{SS} \leq V_{out} \leq V_{CC}$  | -              | -    | $\pm 2$        | $\mu\text{A}$ |
| ICC1   | Power Supply Current                       | $V_{CC} = 3\text{V}$ ,<br>$f_{CLK} = 2\text{MHz}$<br>$V_{IH} = V_{CC}$<br>$V_{IL} = 0.0\text{V}$ | -              | -    | 10             | mA            |
| ICC2   | Stand-by supply current                    | $V_{CC} = 3\text{V}$ ,<br>(2)<br>$V_{IH} = V_{CC}$<br>$V_{IL} = 0.0\text{V}$                     | -              | -    | 10             | $\mu\text{A}$ |
| ICC3   | Power Supply Current<br>(IDLE MODE)        | $V_{CC} = 3\text{V}$ ,<br>$f_{CLK} = 2\text{MHz}$<br>$V_{IH} = V_{CC}$<br>$V_{IL} = 0.0\text{V}$ | -              | 1.0  | 2.5            | mA            |

310589

## 4.3 AC ELECTRICAL CHARACTERISTICS (1) (IN ACTIVE STATE)

$T_A = -40^\circ\text{C} \sim +85^\circ\text{C}$ ,  $V_{CC} = 5\text{V} \pm 10\%$ ,  $V_{SS} = 0\text{V}$

## 4.3.1 AC Characteristics of MPU (in Active State)

(1/3)

| NO. | SYMBOL       | PARAMETER   | TMPZ84C011AF-6<br>$V_{CC} = 2.7\text{V} \sim 5.5\text{V}$<br>(2MHz) |      |      | TMPZ84C011AF-6<br>(6MHz) |      |      | UNIT |
|-----|--------------|---|---|------|------|--------------------------|------|------|------|
|     |              |   | MIN.  | TYP. | MAX. | MIN.                     | TYP. | MAX. |      |
| 1   | TcC          | Clock Cycle Time  | 500   | -    | DC   |                          | 165  |      | ns   |
| 2   | TwCh         | Clock Pulse Width (High)  | 220   | -    | DC   | -                        | 70   | -    | ns   |
| 3   | TwCl         | Clock Pulse Width (Low)   | 220   | -    | DC   | -                        | 70   | -    | ns   |
| 4   | TfC          | Clock Fall Time   | -   | -    | 30   | -                        | 12   | -    | ns   |
| 5   | TrC          | Clock Rise Time   | -   | -    | 30   | -                        | 12   | -    | ns   |
| 6   | TdCr (A)     | Clock $\uparrow$ to Address Valid Delay                         | -   | -    | 180  | -                        | -    | 90   | ns   |
| 7   | TdA (MREQf)  | Address Valid to $\overline{\text{MREQ}} \downarrow$ Delay      | 180   | -    | -    | -                        | 32   | -    | ns   |
| 8   | TdCf (MREQf) | Clock $\downarrow$ to $\overline{\text{MREQ}} \downarrow$ Delay | -   | -    | 150  | -                        | -    | 70   | ns   |
| 9   | TdCr (MREQr) | Clock $\uparrow$ to $\overline{\text{MREQ}} \uparrow$ Delay     | -   | -    | 180  | -                        | -    | 70   | ns   |
| 10  | TwMREQh      | $\overline{\text{MREQ}}$ Pulse Width (High)                     | 190   | -    | -    | -                        | 62   | -    | ns   |
| 11  | TwMREQl      | $\overline{\text{MREQ}}$ Pulse Width (Low)                      | 460   | -    | -    | -                        | 135  | -    | ns   |
| 12  | TdCf (MREQr) | Clock $\downarrow$ to $\overline{\text{MREQ}} \uparrow$ Delay   | -   | -    | 190  | -                        | -    | 70   | ns   |

290589



(2/3)

| NO. | SYMBOL         | PARAMETER   | TMPZ84C011AF-6<br>V <sub>CC</sub> = 2.7V~5.5V<br>(2MHz) |      |      | TMPZ84C011AF-6<br>(6MHz) |      |      | UNIT |
|-----|----------------|---|---|------|------|--------------------------|------|------|------|
|     |                |   | MIN.  | TYP. | MAX. | MIN.                     | TYP. | MAX. |      |
| 13  | TdCf (RDf)     | Clock ↓ to $\overline{RD}$ ↓ Delay  | —   | —    | 180  | —                        | —    | 80   | ns   |
| 14  | TdCr (RDr)     | Clock ↑ to $\overline{RD}$ ↑ Delay  | —   | —    | 180  | —                        | —    | 70   | ns   |
| 15  | TsD (Cr)       | Data Setup Time to Clock ↑  | 60  | —    | —    | 30                       | —    | —    | ns   |
| 16  | ThD (RDr)      | Data Hold Time to $\overline{RD}$ ↑   | 0   | —    | —    | 0                        | —    | —    | ns   |
| 17  | TsWAIT (Cf)    | $\overline{WAIT}$ Setup Time to Clock ↓                                       | 80  | —    | —    | 60                       | —    | —    | ns   |
| 18  | ThWAIT (Cf)    | $\overline{WAIT}$ Hold Time after Clock ↓                                     | 15  | —    | —    | 10                       | —    | —    | ns   |
| 19  | TdCr (M1f)     | Clock ↑ to $\overline{M1}$ ↓ Delay  | —   | —    | 170  | —                        | —    | 80   | ns   |
| 20  | TdCr (M1r)     | Clock ↑ to $\overline{M1}$ ↑ Delay  | —   | —    | 170  | —                        | —    | 80   | ns   |
| 21  | TdCr (RFSHf)   | Clock ↑ to $\overline{RFSH}$ ↓ Delay  | —   | —    | 220  | —                        | —    | 110  | ns   |
| 22  | TdCr (RFSHr)   | Clock ↑ to $\overline{RFSH}$ ↑ Delay  | —   | —    | 220  | —                        | —    | 100  | ns   |
| 23  | TdCr (RDr)     | Clock ↓ to $\overline{RD}$ ↑ Delay  | —   | —    | 180  | —                        | —    | 70   | ns   |
| 24  | TdCr (RDf)     | Clock ↑ to $\overline{RD}$ ↓ Delay  | —   | —    | 150  | —                        | —    | 70   | ns   |
| 25  | TsS (Cf)       | Data Setup to Clock ↓ during M2, M3, M4 or M5 Cycles                          | 70  | —    | —    | 40                       | —    | —    | ns   |
| 26  | TdA (IORQf)    | Address Stable prior $\overline{IORQ}$ ↓                                      | 400   | —    | —    | —                        | 110  | —    | ns   |
| 27  | TdCr (IORQf)   | Clock ↑ to $\overline{IORQ}$ ↓ Delay  | —   | —    | 150  | —                        | —    | 65   | ns   |
| 28  | TdCf (IORQr)   | Clock ↓ to $\overline{IORQ}$ ↑ Delay  | —   | —    | 180  | —                        | —    | 70   | ns   |
| 29  | TdD (WRf)      | Data Stable Prior to $\overline{WR}$ ↓  | 240   | —    | —    | —                        | 25   | —    | ns   |
| 30  | TdCf (WRf)     | Clock ↓ to $\overline{WR}$ ↓ Delay  | —   | —    | 150  | —                        | —    | 70   | ns   |
| 31  | TwWR           | $\overline{WR}$ Pulse Width   | 420   | —    | —    | —                        | 135  | —    | ns   |
| 32  | TdCf (WRr)     | Clock ↓ to $\overline{WR}$ ↑ Delay  | —   | —    | 180  | —                        | —    | 70   | ns   |
| 33  | TdD (WRf)      | Data Stable Prior to $\overline{WR}$ ↓  | 70  | —    | —    | —                        | 58   | —    | ns   |
| 34  | TdCr (WRf)     | Clock ↑ to $\overline{WR}$ ↓ Delay  | —   | —    | 120  | —                        | —    | 60   | ns   |
| 35  | TdWRr (D)      | Data Stable from $\overline{WR}$ ↑  | 200   | —    | —    | —                        | 27   | —    | ns   |
| 36  | TdCf (HALT)    | Clock ↓ to $\overline{HALT}$ ↑ or ↓   | —   | —    | 350  | —                        | —    | 260  | ns   |
| 37  | TwNMI          | $\overline{NMI}$ Pulse Width  | 180   | —    | —    | 70                       | —    | —    | ns   |
| 38  | TsBUSREQ (Cr)  | $\overline{BUSREQ}$ Setup Time to Clock ↑                                     | 100   | —    | —    | 50                       | —    | —    | ns   |
| 39  | ThBUSREQ (Cr)  | $\overline{BUSREQ}$ Hold Time after Clock ↑                                   | 15  | —    | —    | 10                       | —    | —    | ns   |
| 40  | TdCr (BUSACKf) | Clock ↑ to $\overline{BUSACK}$ ↓ Delay  | —   | —    | 180  | —                        | —    | 90   | ns   |
| 41  | TdCf (BUSACKr) | Clock ↓ to $\overline{BUSACK}$ ↑ Delay  | —   | —    | 160  | —                        | —    | 90   | ns   |
| 42  | TdCr (Dz)      | Clock ↑ to Data Float Delay   | —   | —    | 120  | —                        | —    | 80   | ns   |
| 43  | TdCr (CTz)     | Clock ↑ to Control Outputs Float Delay (MREQ, IORQ, $\overline{RD}$ , and WR) | —   | —    | 140  | —                        | —    | 70   | ns   |
| 44  | TdCr (Az)      | Clock ↑ to Address Float Delay  | —   | —    | 140  | —                        | —    | 80   | ns   |

290589

(3/3)

| NO. | SYMBOL        | PARAMETER  | TMPZ84C011AF-6<br>V <sub>CC</sub> = 2.7V~5.5V<br>(2MHz) |      |      | TMPZ84C011AF-6<br>(6MHz) |      |      | UNIT |
|-----|---------------|--|---|------|------|--------------------------|------|------|------|
|     |               |  | MIN.  | TYP. | MAX. | MIN.                     | TYP. | MAX. |      |
| 45  | TdCr (A)      | MREQ ↑, IORQ ↑, RD ↑ and WR ↑ to Address Hold Time | 200   | —    | —    | —                        | 32   | —    | ns   |
| 46  | TsRESET (Cr)  | RESET to Clock ↑ Setup Time                        | 140   | —    | —    | 60                       | —    | —    | ns   |
| 47  | ThRESET (Cr)  | RESET to Clock ↑ Hold Time                         | 20  | —    | —    | 10                       | —    | —    | ns   |
| 48  | TsINTf (Cr)   | INT to Clock ↑ Setup Time                          | 100   | —    | —    | 70                       | —    | —    | ns   |
| 49  | TsINTr (Cr)   | INT to Clock ↑ Hold Time                           | 15  | —    | —    | 10                       | —    | —    | ns   |
| 50  | TdM1f (IORQf) | M1 ↓ to IORQ ↓ Delay                               | 1050  | —    | —    | —                        | 362  | —    | ns   |
| 51  | TdCf (IORQf)  | Clock ↓ to IORQ ↓ Delay                            | —   | —    | 185  | —                        | —    | 70   | ns   |
| 52  | TdCr (IORQr)  | Clock ↑ to IORQ ↑ Delay                            | —   | —    | 200  | —                        | —    | 70   | ns   |
| 53  | TdCf (D)      | Clock ↓ to Data Valid Delay                        | —   | —    | 300  | —                        | —    | 130  | ns   |

290589

4.3.2 AC Characteristics of CGC (in Active State)

| NO. | SYMBOL         | PARAMETER                             | TMPZ84C011AF-6<br>V <sub>CC</sub> = 2.7V~5.5V<br>(2MHz) |                             |      | TMPZ84C011AF-6<br>(6MHz) |                               |      | UNIT |
|-----|----------------|---------------------------------------|---|-----------------------------|------|--------------------------|-------------------------------|------|------|
|     |                |                                       | MIN.  | TYP.                        | MAX. | MIN.                     | TYP.                          | MAX. |      |
| 54  | TRST (INT) S   | CLK restart time by INT (STOP Mode)   | —   | 214 +<br>2.5T <sub>CC</sub> | —    | —                        | (214 +<br>2.5)T <sub>CC</sub> | —    | ns   |
| 55  | TRST (NMI) S   | CLK restart time by NMI (STOP Mode)   | —   | 214 +<br>2.5T <sub>CC</sub> | —    | —                        | (214 +<br>2.5)T <sub>CC</sub> | —    | ns   |
| 56  | TRST (INT) I   | CLK restart time by INT (IDLE Mode)   | —   | 2.5<br>*T <sub>CC</sub>     | —    | —                        | 2.5<br>T <sub>CC</sub>        | —    | ns   |
| 57  | TRST (NMI) I   | CLK restart time by NMI (IDLE Mode)   | —   | 2.5<br>*T <sub>CC</sub>     | —    | —                        | 2.5<br>T <sub>CC</sub>        | —    | ns   |
| 58  | TRST (RESET) I | CLK restart time by RESET (IDLE Mode) | —   | T <sub>CC</sub>             | —    | —                        | T <sub>CC</sub>               | —    | ns   |

290589

4.3.3 AC Characteristics of CTC (in Active State)

(1/2)

| NO. | SYMBOL       | PARAMETER   | TMPZ84C011AF-6<br>V <sub>CC</sub> = 2.7V~5.5V<br>(2MHz) |      |      | TMPZ84C011AF-6<br>(6MHz) |      |      | UNIT |
|-----|--------------|---|---|------|------|--------------------------|------|------|------|
|     |              |   | MIN.  | TYP. | MAX. | MIN.                     | TYP. | MAX. |      |
| 59  | TdM1 (IEO)   | Delay from M1 fall to IEO fall (in case of generating only interrupt immediately before M1 cycle) | —   | —    | 350  | —                        | —    | 130  | ns   |
| 60  | TdIEI (IEOf) | Delay from IEI fall to IEO fall   | —   | —    | 200  | —                        | —    | 100  | ns   |
| 61  | TdIEI (IEOr) | Delay from IEI rise to IEO rise (after ED decode)   | —   | —    | 250  | —                        | —    | 110  | ns   |

290589

(2/2)

| NO. | SYMBOL                      | PARAMETER   | TMPZ84C011AF-6<br>V <sub>CC</sub> = 2.7V~5.5V<br>(2MHz)             |      |      | TMPZ84C011AF-6<br>(6MHz)  |      |      | UNIT |
|-----|-----------------------------|---|---|------|------|---|------|------|------|
|     |                             |   | MIN.  | TYP. | MAX. | MIN.  | TYP. | MAX. |      |
| 62  | TsCTR (INT)                 | CLK/TRG setup for detection of interrupt<br>TsCTR (C) Satisfied                                   | T <sub>cC</sub><br>+ 200<br>+ T <sub>68</sub><br>+ T <sub>48</sub>  | —    | —    | T <sub>cC</sub><br>+ 120<br>+ T <sub>68</sub><br>+ T <sub>48</sub>  | —    | —    | ns   |
|     |                             | TsCTR (C) not Satisfied   | 2T <sub>cC</sub><br>+ 200<br>+ T <sub>68</sub><br>+ T <sub>48</sub> | —    | —    | 2T <sub>cC</sub><br>+ 120<br>+ T <sub>68</sub><br>+ T <sub>48</sub> | —    | —    | ns   |
| 63  | TcCTR                       | CLK/TRG Frequency   | 2T <sub>cC</sub>  | —    | —    | 2T <sub>cC</sub>  | —    | —    | ns   |
| 64  | TrCTR                       | CLK/TRG rising time   | —   | —    | 50   | —   | —    | 40   | ns   |
| 65  | TfCTR                       | CLK/TRG falling time  | —   | —    | 50   | —   | —    | 40   | ns   |
| 66  | TwCTRI                      | Low CLK/TRG Pulse Width   | 240   | —    | —    | 120   | —    | —    | ns   |
| 67  | TwCTRh                      | High CLK/TRG Pulse Width  | 240   | —    | —    | 120   | —    | —    | ns   |
| 68  | TsCTR (Cs)                  | Set-up time up to CLK/TRG rise for clock rise requiring immediate count (counter mode)            | 300   | —    | —    | 150   | —    | —    | ns   |
| 69  | TsCTR (CT)                  | Set-up time up to CLK/TRG rise for clock rise requiring immediate start of prescaler (timer mode) | 300   | —    | —    | 150   | —    | —    | ns   |
| 70  | TdC (ZC / TO <sub>r</sub> ) | Delay from clock rise to ZC/ TO rise  | —   | —    | 300  | —   | —    | 140  | ns   |
| 71  | TdC (ZC / TO <sub>f</sub> ) | Delay from clock fall to ZC/ TO fall  | —   | —    | 220  | —   | —    | 140  | ns   |

290589

## 4.3.4 AC Characteristics of I/O (in Active State)

| NO. | SYMBOL        | PARAMETER  | TMPZ84C011AF-6<br>V <sub>CC</sub> = 2.7V~5.5V<br>(6MHz) |      |      | TMPZ84C011AF-6<br>(6MHz) |      |      | UNIT |
|-----|---------------|--|---|------|------|--------------------------|------|------|------|
|     |               |  | MIN.  | TYP. | MAX. | MIN.                     | TYP. | MAX. |      |
| 72  | TdCf (Pout)   | Delay from clock fall to port data output  | —   | —    | 650  | —                        | —    | 300  | ns   |
| 73  | TsPIN (IORDf) | Port Input to $\overline{\text{IORQ}}$ and $\overline{\text{RD}}$ fall Set-up time | 0   | —    | —    | 0                        | —    | —    | ns   |
| 74  | ThPIN         | Port Input to $\overline{\text{IORQ}}$ and $\overline{\text{RD}}$ fall Hold Time   | 0   | —    | —    | 0                        | —    | —    | ns   |

290589

## 4.4 CAPACITANCE

T<sub>a</sub> = 25°C

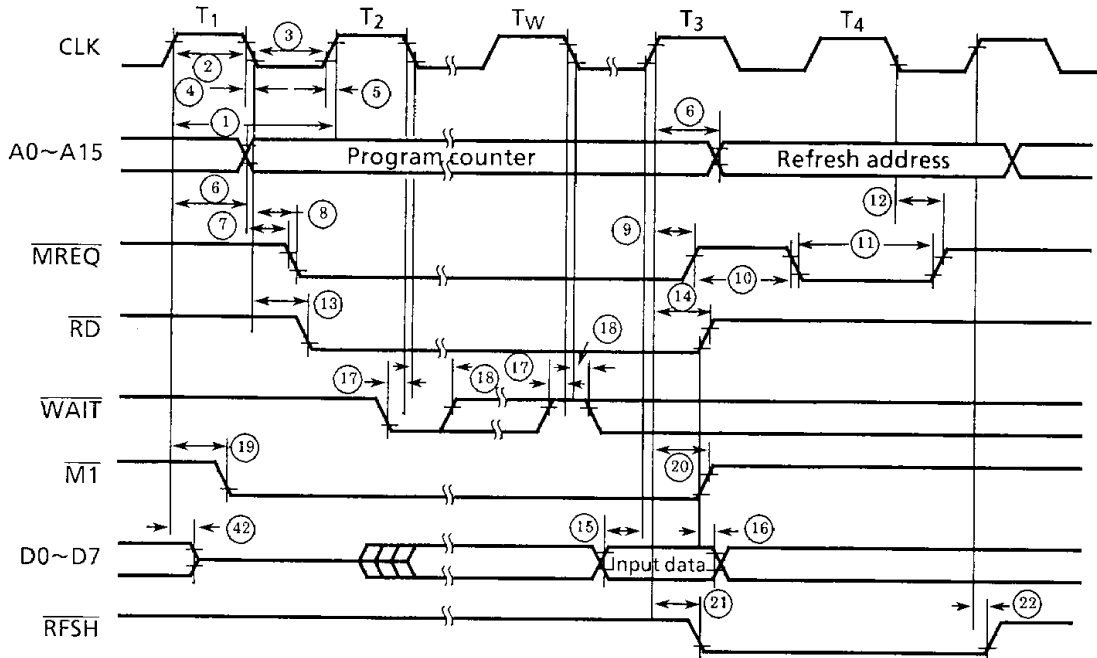
| SYMBOL           | Item               | TEST COINDITION                              | MIN. | TUP. | MAX. | UNIT. |
|------------------|--------------------|--|------|------|------|-------|
| C <sub>IN</sub>  | Input Capacitance  | f = 1MHz<br>ALL terminals                    | —    | 5    | —    | PF    |
| C <sub>out</sub> | Output Capacitance | except that to be measured should be earthed | —    | 30   | —    | PF    |

290589

4.5 AC TIMING CHARTS (1) (IN ACTIVE STATE)

4.5.1 AC Timing Charts of CPU (in Active State)

Figure 4.5.1 through 4.5.8 show the basic timing charts. The circled numbers in these charts correspond to the numbers under the number column of the AC Electrical Characteristics Tables.



120489

Figure 4.5.1 Opcode Fetch Cycle

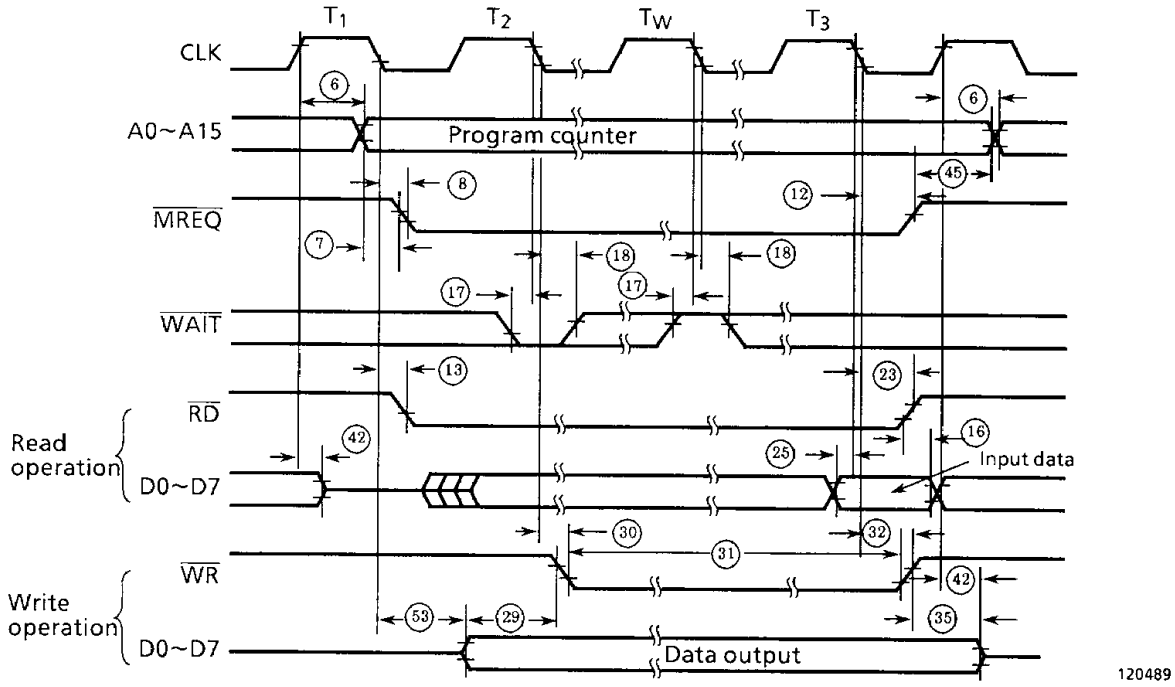
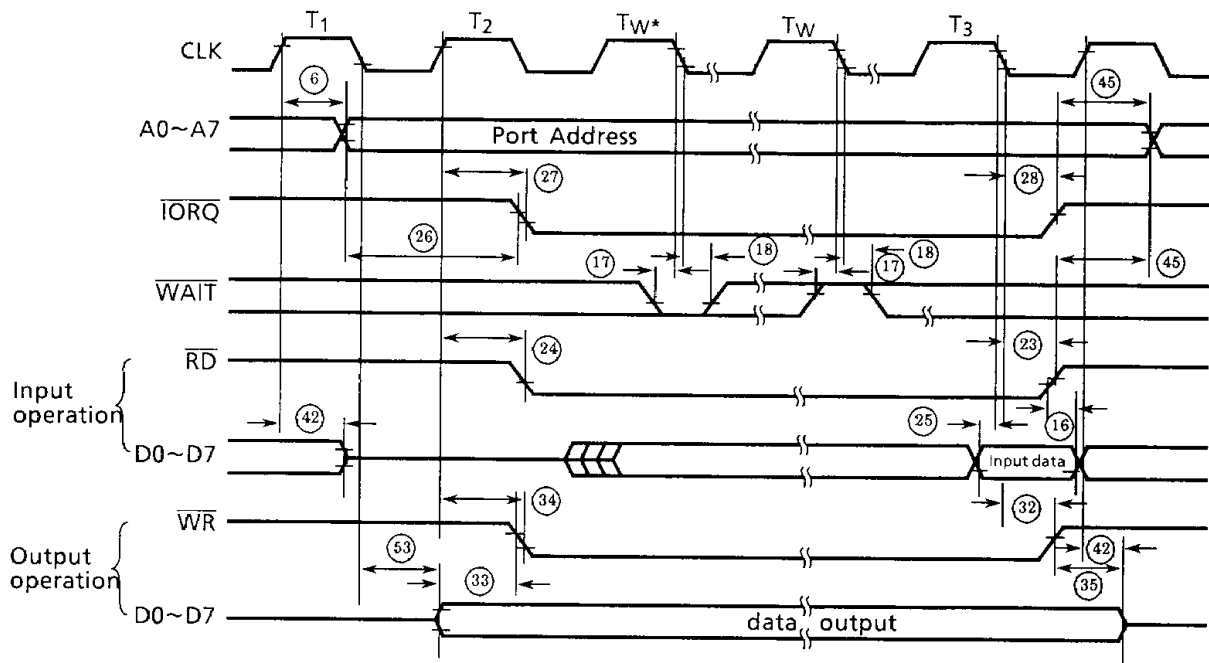


Figure 4.5.2 Memory Read/Write Cycle

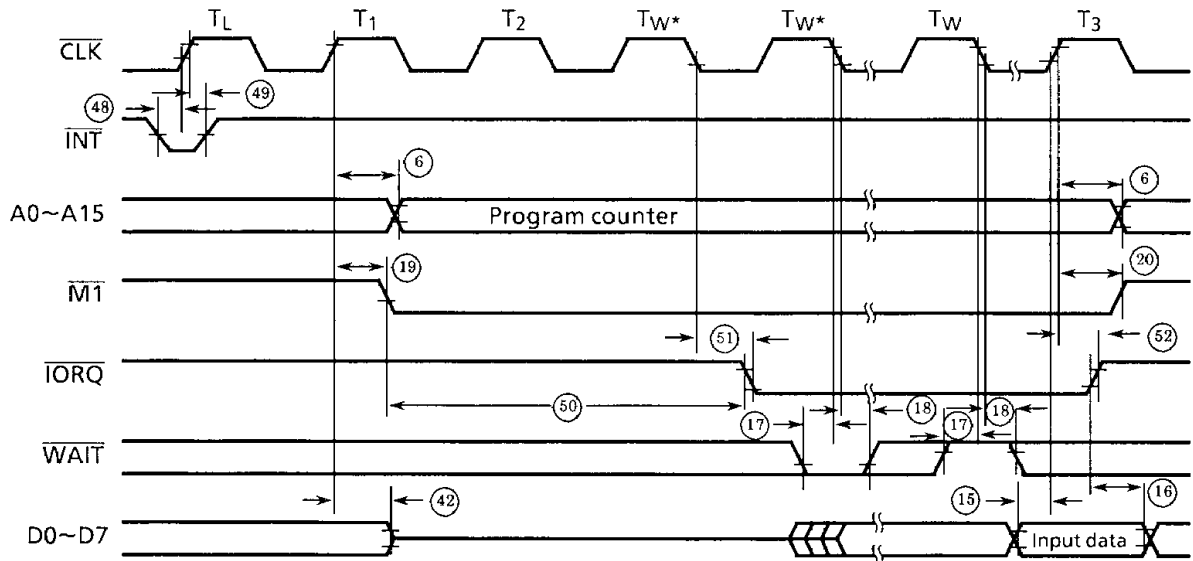
120489



Note: 1-wait state (Tw\*) is inserted automatically by MPU

120489

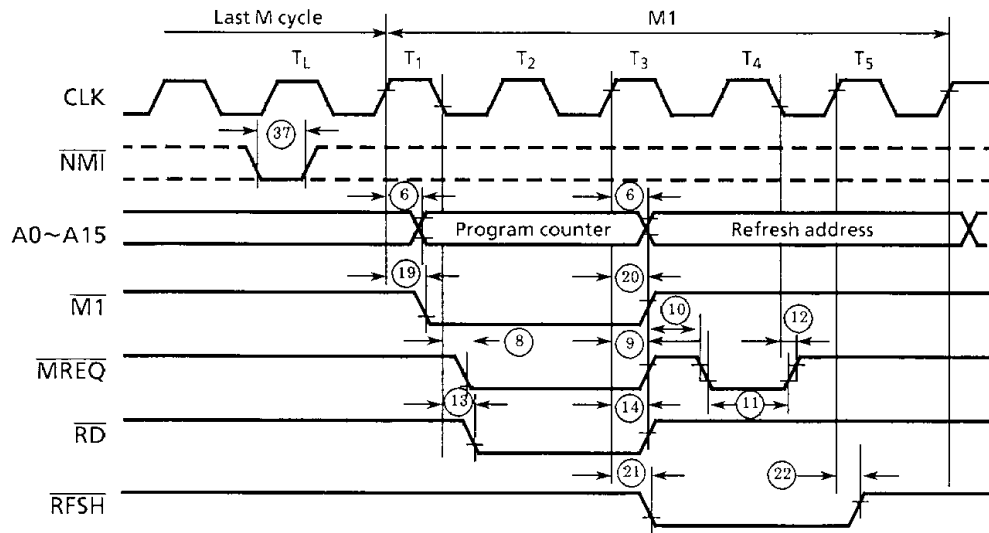
Figure 4.5.3 I/O Cycle



- Note: 1.  $T_L$  : Last state of instruction  
 2. 2-wait state ( $T_{W^*}$ ) is inserted automatically by MPU

120489

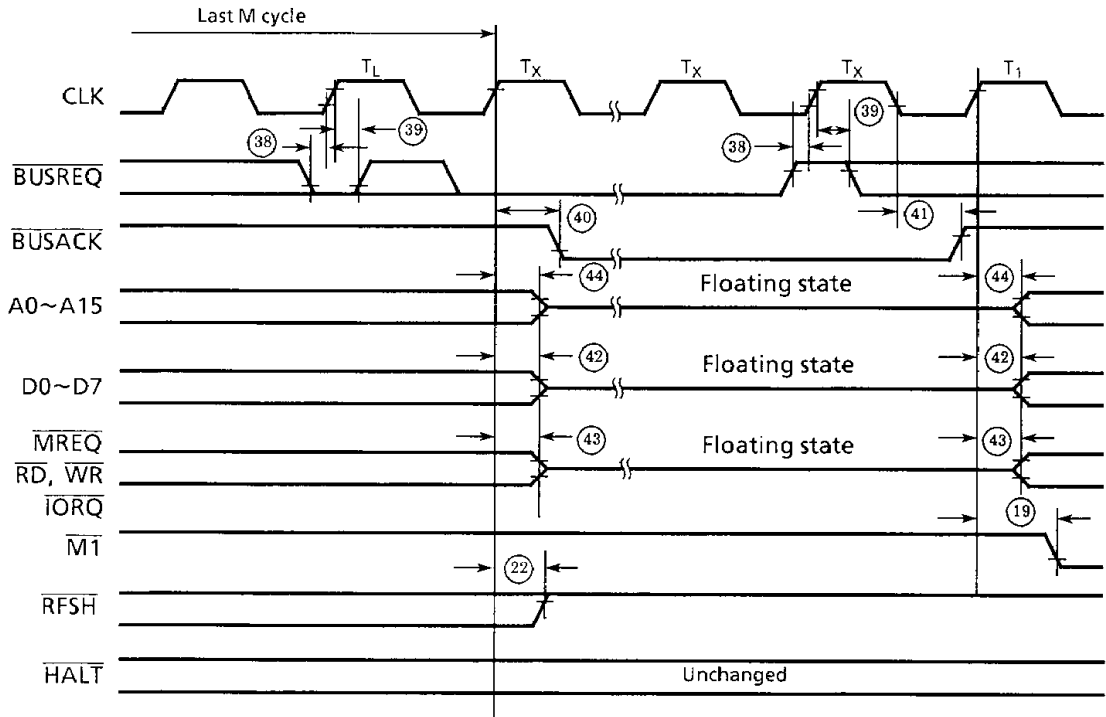
Figure 4.5.4 Interrupt Request/Acknowledge Cycle



- Note:  $\overline{NMI}$  is asynchronous, but its falling edge signal must occur synchronously with the rising edge of previous  $T_L$  state for correct response to the subsequent machine cycle.

120489

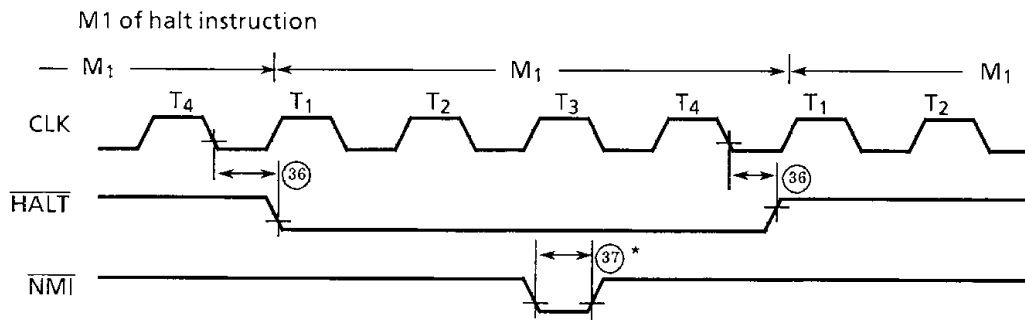
Figure 4.5.5 Non-maskable Interrupt Request Cycle



- Note: 1. TL : Last state of a given machine cycle  
 2. Tx : Clock used by peripheral LSI that made request.

120489

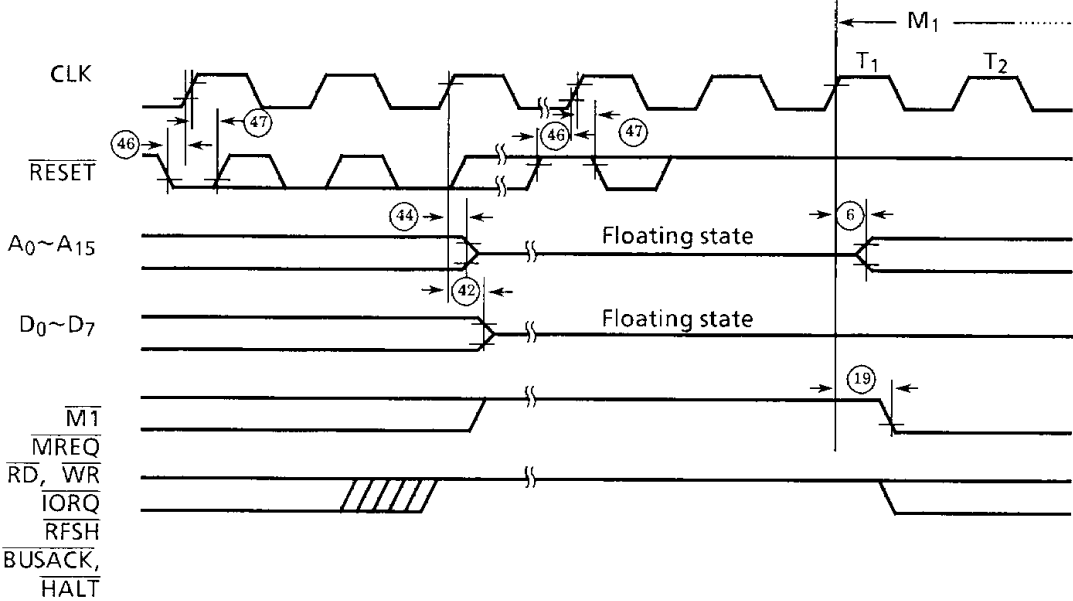
Figure 4.5.6 Bus Request/Acknowledge Cycle



- Note:  $\overline{\text{INT}}$  signal is also used for releasing HALT state.

120489

Figure 4.5.7 Halt Acknowledge Cycle



120489

Figure 4.5.8 Reset Cycle





4.5.2 AC Timing Cfacts of CGC (in Active State)

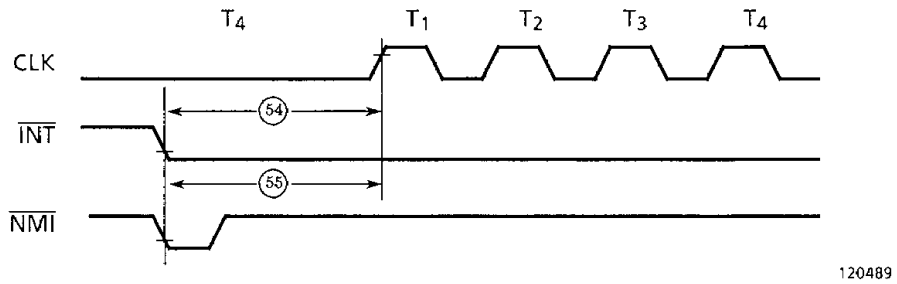


Figure 4.5.9 Clock Restart Timing (STOP mode)

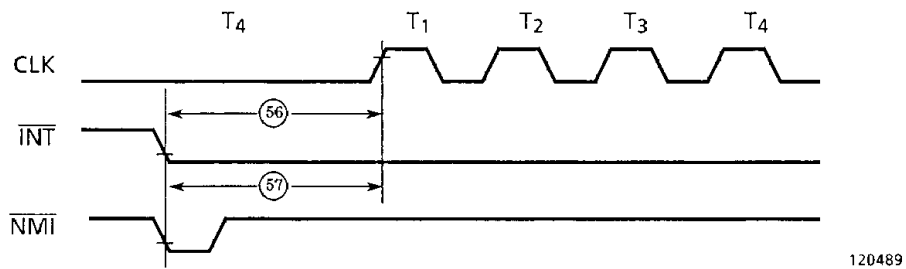


Figure 4.5.10 Clock Restart Timing (IDLE mode)

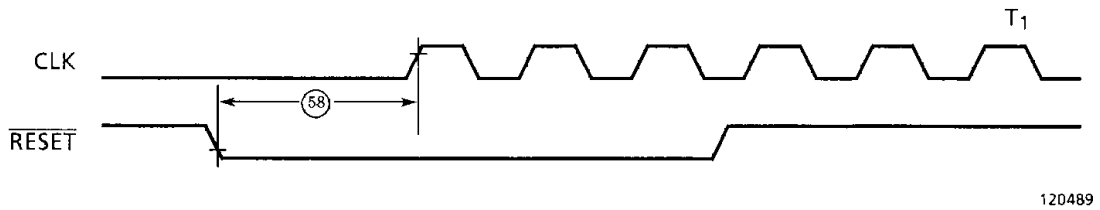
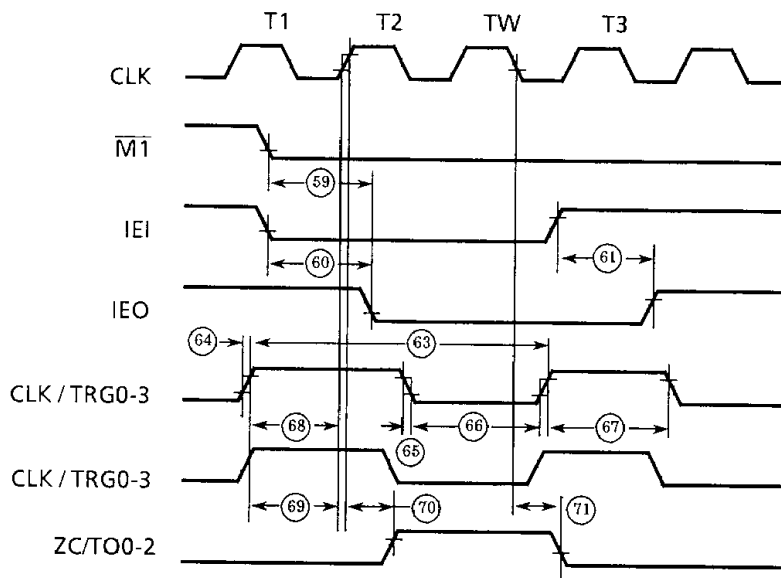


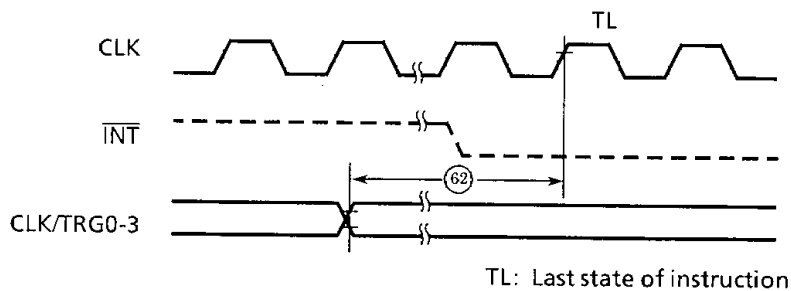
Figure 4.5.11 Timing of Clock Start by  $\overline{\text{RESET}}$  (IDLE mode)

4.5.3 AC Timing Charts of CTC (in Active State)



120489

Figure 4.5.12 CTC Timing Diagram



TL: Last state of instruction

120489

Figure 4.5.13 CTC Interrupt Occurrence Timing

4.5.4 AC Timing Charts of I/O (in Active State)

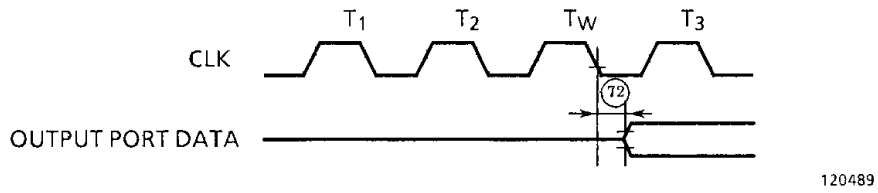


Figure 4.5.14 I/O OUTPUT Timing

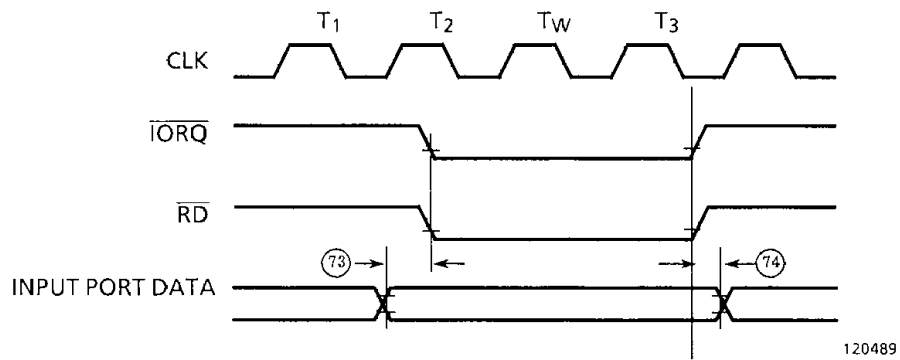


Figure 4.5.15 I/O INPUT Timing

**4.6 AC ELECTRICAL CHARACTERISTICS (2) (IN INACTIVE STATE)**

$T_a = -40^{\circ}\text{C} \sim +85^{\circ}\text{C}$ ,  $V_{CC} = 5\text{V} \pm 10\%$ ,  $V_{SS} = 0\text{V}$

**4.6.1 AC Characteristics of CGC (in Inactive State)**

| NO. | SYMBOL            | PARAMETER  | TMPZ84C011AF-6<br>$V_{CC} = 2.7\text{V} \sim 5.5\text{V}$<br>(2MHz) |                      |      | TMPZ84C011AF-6<br>(6MHz) |                      |      | UNIT |
|-----|-------------------|--|---|----------------------|------|--------------------------|----------------------|------|------|
|     |                   |  | MIN.  | TYP.                 | MAX. | MIN.                     | TYP.                 | MAX. |      |
| 1   | $T_{cC}$          | CLOCK Cycle  | 500   | —                    | DC   | —                        | 165                  | —    | ns   |
| 2   | $T_{wCh}$         | CLOCK Width (High)   | 220   | —                    | DC   | —                        | 70                   | —    | ns   |
| 3   | $T_{wCl}$         | CLOCK Width (Low)  | 220   | —                    | DC   | —                        | 70                   | —    | ns   |
| 4   | $T_{fC}$          | CLOCK Fall Time  | —   | —                    | 30   | —                        | 12                   | —    | ns   |
| 5   | $T_{rC}$          | CLOCK Rise Time  | —   | —                    | 30   | —                        | 12                   | —    | ns   |
| 6   | TRST (INT) S      | Clock (CLK) restart Time by $\overline{\text{INT}}$<br>(STOP mode)   | —   | $2^{14} + 2.5T_{cC}$ | —    | —                        | $2^{14} + 2.5T_{cC}$ | —    | ns   |
| 7   | TRST (NMI) S      | Clock (CLK) restart Time by $\overline{\text{NMI}}$<br>(STOP mode)   | —   | $2^{14} + 2.5T_{cC}$ | —    | —                        | $2^{14} + 2.5T_{cC}$ | —    | ns   |
| 8   | TRST (INT) I      | Clock (CLK) restart Time by $\overline{\text{INT}}$<br>(IDLE mode)   | —   | $2.5 * T_{cC}$       | —    | —                        | $2.5 T_{cC}$         | —    | ns   |
| 9   | TRST (NMI) I      | Clock (CLK) restart Time by $\overline{\text{NMI}}$<br>(IDLE mode)   | —   | $2.5 * T_{cC}$       | —    | —                        | $2.5 T_{cC}$         | —    | ns   |
| 10  | TRST (RESET) I    | Clock (CLK) restart Time by $\overline{\text{RESET}}$<br>(IDLE mode) | —   | $1T_{cC}$            | —    | —                        | $1T_{cC}$            | —    | ns   |
| 11  | $T_{sHALT} (M1r)$ | $\overline{\text{HALT}}$ set-up Time                                 | 10  | —                    | —    | 10                       | —                    | —    | ns   |

290589

## 4.6.2 AC Characteristics of CTC (in Inactive State)

(1/2)

| NO. | SYMBOL       | PARAMETER   | TMPZ84C011AF-6<br>V <sub>CC</sub> = 2.7V~5.5V<br>(2MHz) |      |                          | TMPZ84C011AF-6<br>(6MHz) |  |                          | UNIT |
|-----|--------------|---|---|------|--------------------------|--------------------------|--|--------------------------|------|
|     |              |   | MIN.  | TYP. | MAX.                     | MIN.                     | TYP.                                       | MAX.                     |      |
| 12  | Th           | Hold Time   | 20  | —    | —                        | 0                        | —  | —                        | ns   |
| 13  | TsCS (C)     | CS (A1, A0) set-up time to clock ↑  | 280   | —    | —                        | 100                      | —  | —                        | ns   |
| 14  | TsCE (C)     | CE (A7 to A2) set-up time to clock ↑  | 220   | —    | —                        | 150                      | —  | —                        | ns   |
| 15  | TsIO (C)     | $\overline{\text{IORQ}}$ ↓ set-up time to clock ↑   | 280   | —    | —                        | 70                       | —  | —                        | ns   |
| 16  | TsRD (C)     | $\overline{\text{RD}}$ ↓ set-up time to clock ↑   | 260   | —    | —                        | 70                       | —  | —                        | ns   |
| 17  | TdC (DO)     | clock ↑ to Data Valid Delay   | —   | —    | 260                      | —                        | —  | 130                      | ns   |
| 18  | TdC (DOz)    | $\overline{\text{IORQ}}$ , $\overline{\text{RD}}$ ↑ to Data Float Delay   | —   | —    | 250                      | —                        | —  | 90                       | ns   |
| 19  | TsDI (C)     | Data Input set-up time to clock ↑   | 90  | —    | —                        | 40                       | —  | —                        | ns   |
| 20  | TsM1 (C)     | $\overline{\text{M1}}$ set-up time to clock ↑   | 240   | —    | —                        | 70                       | —  | —                        | ns   |
| 21  | TdM1 (IEO)   | clock ↑<br>$\overline{\text{M1}}$ ↓ to IEO ↓ Delay<br>(in case of generating only interrupt<br>immediately before M1) cycle | —   | —    | 350                      | —                        | —  | 130                      | ns   |
| 22  | TdIO (DOI)   | $\overline{\text{IORQ}}$ ↓ to Data out delay (INTA cycle)   | —   | —    | 380                      | —                        | —  | 110                      | ns   |
| 23  | TdIEI (IEOf) | IEI ↓ to IEO ↓ Delay  | —   | —    | 200                      | —                        | —  | 100                      | ns   |
| 24  | TdIEI (IEOr) | IEI ↑ to IEO ↑ Delay (after ED decode)  | —   | —    | 250                      | —                        | —  | 110                      | ns   |
| 25  | TdC (INT)    | Clock ↑ to $\overline{\text{INT}}$ ↓ Delay  | —   | —    | T <sub>cC</sub><br>+ 200 | —                        | —  | T <sub>cC</sub><br>+ 120 | ns   |
| 26  | TdCLK (INT)  | CLK/TRG ↑ to $\overline{\text{INT}}$ ↓ Delay<br>TsCTR(c) Satisfied  | T <sub>cC</sub><br>+ 200<br>+ T32                       | —    | —                        | —                        | T <sub>cC</sub><br>+ 120<br>+ 70<br>+ T31  | —                        | ns   |
|     |              | TsCTR (c) not Satisfied   | 2T <sub>cC</sub><br>+ 200<br>+ T32                      | —    | —                        | —                        | 2T <sub>cC</sub><br>+ 120<br>+ 70<br>+ T31 | —                        | ns   |
| 27  | TcCTR        | CLK/TRG Frequency   | 2T <sub>cC</sub>  | —    | —                        | —                        | 2T <sub>cC</sub>                           | —                        | ns   |
| 28  | TrCTR        | CLK/TRG rising time   | —   | —    | 50                       | —                        | —  | 40                       | ns   |
| 29  | TfCTR        | CLK/TRG falling time  | —   | —    | 50                       | —                        | —  | 40                       | ns   |
| 30  | TwCTRI       | LOW CLK/TRG Pulse width   | 240   | —    | —                        | 120                      | —  | 70                       | ns   |
| 31  | TwCTRh       | High CLK/TRG Pulse width  | 240   | —    | —                        | 120                      | —  | —                        | ns   |
| 32  | TsCTR (Cs)   | Set-up time up to CLK/TRG rise for clock<br>rise requiring immediate<br>(counter mode)                                      | 300   | —    | —                        | 150                      | —  | —                        | ns   |

290589

(2/2)

| NO. | SYMBOL                      | PARAMETER   | TMPZ84C011AF-6<br>V <sub>CC</sub> = 2.7V~5.5V<br>(2MHz) |      |      | TMPZ84C011AF-6<br>(6MHz) |      |      | UNIT |
|-----|-----------------------------|---|---|------|------|--------------------------|------|------|------|
|     |                             |   | MIN.  | TYP. | MAX. | MIN.                     | TYP. | MAX. |      |
| 33  | TsCTR (Ct)                  | Set-up time up to CLK/TRG rise for clock rise requiring immediate start of prescaler (timer mode) | 300   | —    | —    | 150                      | —    | —    | ns   |
| 34  | TdC (ZC / TO <sub>r</sub> ) | Delay from clock rise to ZC/TO rise   | —   | —    | 300  | —                        | —    | 140  | ns   |
| 35  | TdC (ZC / TO <sub>f</sub> ) | Delay from clock fall to ZC/TO fall   | —   | —    | 220  | —                        | —    | 140  | ns   |

290589

## 4.6.3 AC Characteristics of I/O (in Inactive State)

| NO. | SYMBOL                     | PARAMETER  | TMPZ84C011AF-6<br>V <sub>CC</sub> = 2.7V~5.5V<br>(2MHz) |      |      | TMPZ84C011AF-6<br>(6MHz) |      |      | UNIT |
|-----|----------------------------|--|---|------|------|--------------------------|------|------|------|
|     |                            |  | MIN.  | TYP. | MAX. | MIN.                     | TYP. | MAX. |      |
| 36  | TsCE (Cr)                  | CE (A7~A0) to clock ↑ Set-up time  | 300   | —    | —    | 150                      | —    | —    | ns   |
| 37  | TsIO (C)                   | Set-up time from clock ↑ to $\overline{\text{IORQ}}$ ↓                               | 150   | —    | —    | 70                       | —    | —    | ns   |
| 38  | TsRD (C)                   | Set-up time from clock ↑ to $\overline{\text{RD}}$ ↓                                 | 150   | —    | —    | 70                       | —    | —    | ns   |
| 39  | TdC (DO)                   | Delay from clock ↑ to Data Output  | —   | —    | 300  | —                        | —    | 130  | ns   |
| 40  | TdC (DO <sub>z</sub> )     | Delay from clock $\overline{\text{IORQ}}$ and $\overline{\text{RD}}$ ↑ to Data Float | —   | —    | 150  | —                        | —    | 90   | ns   |
| 41  | TsDI (C)                   | Data Input to clock ↑ Set-up time  | 0   | —    | —    | 0                        | —    | —    | ns   |
| 42  | TsWR (C)                   | Set-up time from $\overline{\text{WR}}$ ↓ to clock ↑                                 | 150   | —    | —    | 70                       | —    | —    | ns   |
| 43  | TdIOWR <sub>r</sub> (D)    | Output Data Stable from $\overline{\text{IORQ}}$ , $\overline{\text{WR}}$ ↓          | 100   | —    | —    | 20                       | —    | —    | ns   |
| 44  | TdC <sub>f</sub> (Pout)    | Delay from clock ↓ to Data Output  | —   | —    | 650  | —                        | —    | 300  | ns   |
| 45  | TSPIN (IORD <sub>f</sub> ) | Port Input to $\overline{\text{IORQ}}$ and $\overline{\text{RD}}$ ↓ Set-up time      | 0   | —    | —    | 0                        | —    | —    | ns   |
| 46  | ThPIN (IORD <sub>r</sub> ) | Port Input to $\overline{\text{IORQ}}$ and $\overline{\text{RD}}$ ↑ Hold Time        | 0   | —    | —    | 0                        | —    | —    | ns   |

290589

Note : Timing Measurements are made at the following voltage.

Input : V<sub>IH</sub> = 2.4V      V<sub>IL</sub> = 0.4V  
Output : V<sub>OHC</sub> = V<sub>CC</sub> - 0.6V      V<sub>OLC</sub> = 0.6V (CLK)  
Output : V<sub>OH</sub> = 2.4V      V<sub>OL</sub> = 0.8V (Except CLK)  
C<sub>L</sub> = 100pF

4.7 AC TIMING CHARTS (2) (IN INACTIVE STATE)

4.7.1 AC Timing Charts of CGC (in Inactive State)

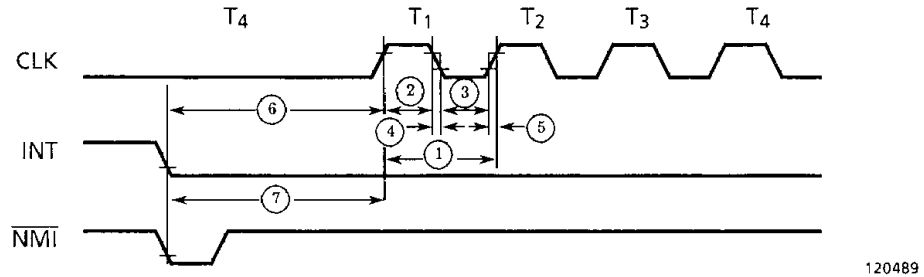


Figure 4.7.1 Clock Restart Timing (STOP mode)

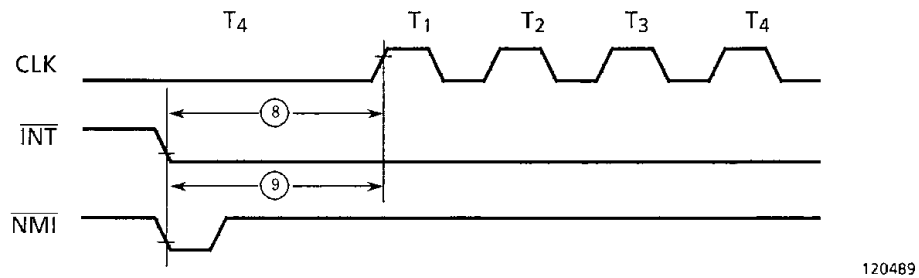


Figure 4.7.2 Clock Restart Timing (IDLE mode)

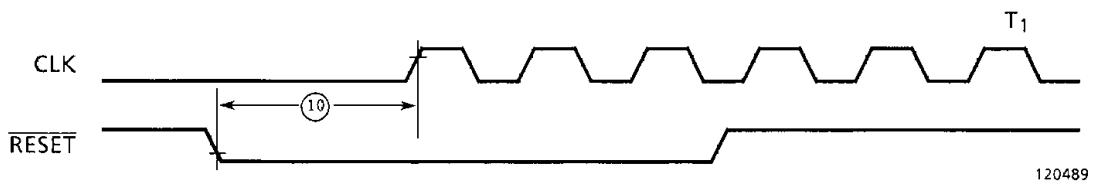


Figure 4.7.3 Timing if Clock Restart by RESET (IDLE mode)

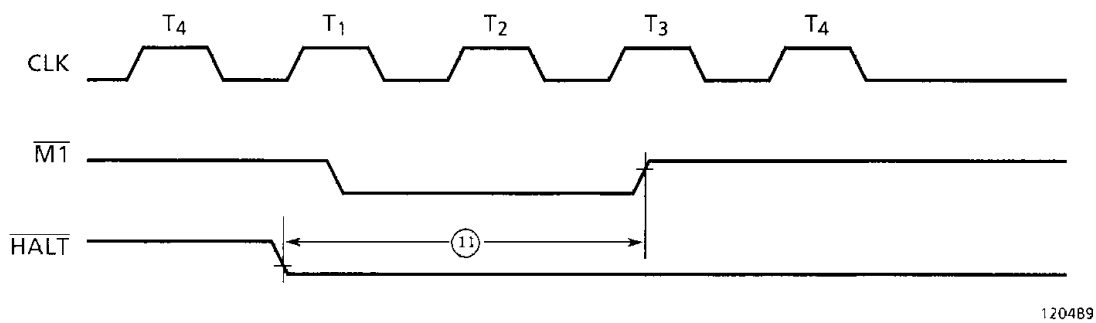
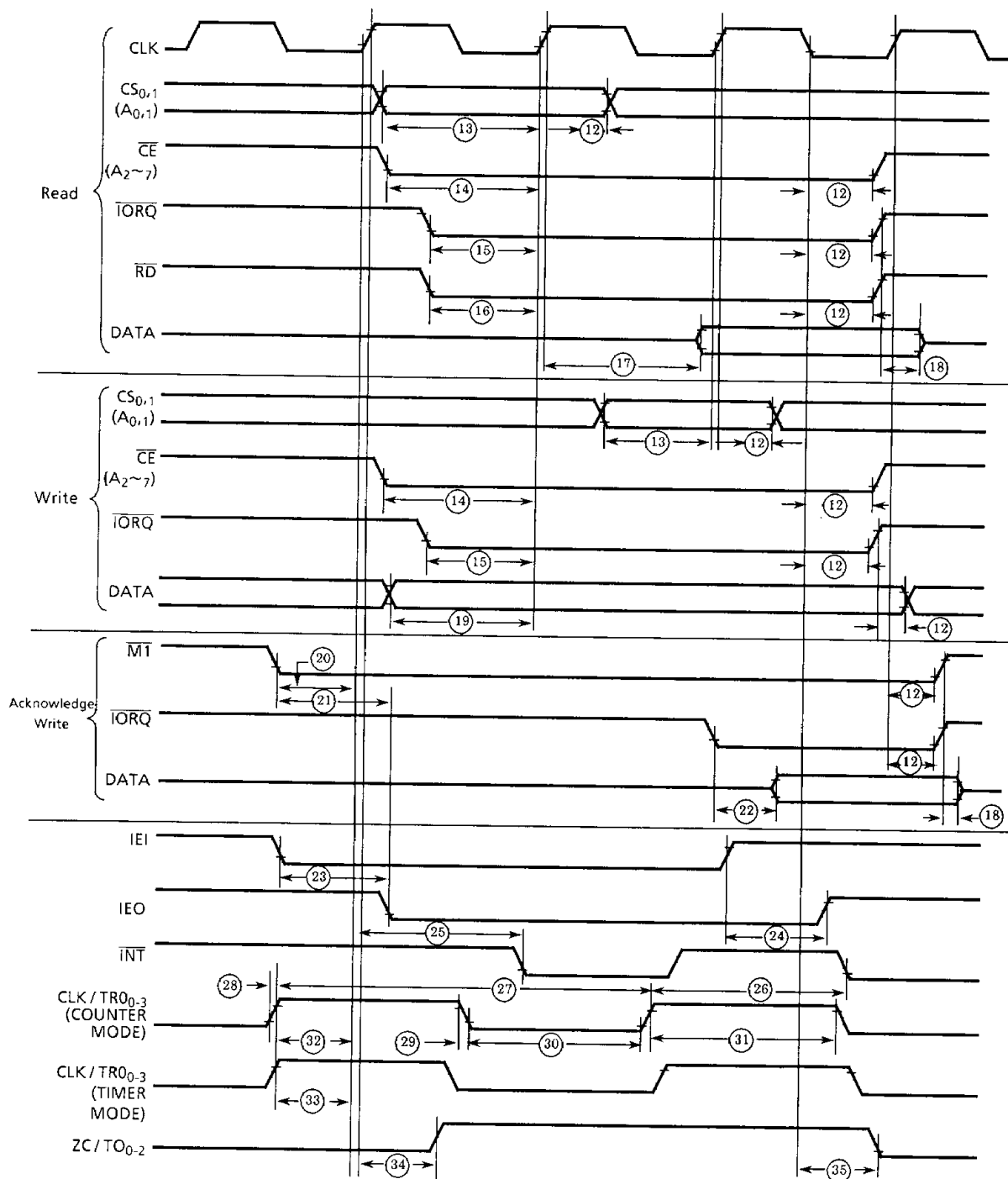


Figure 4.7.4 Clock Suspension Timing (IDLE/STOP modes)

4.7.2 AC Timing Charts of CTC (in Inactive State)

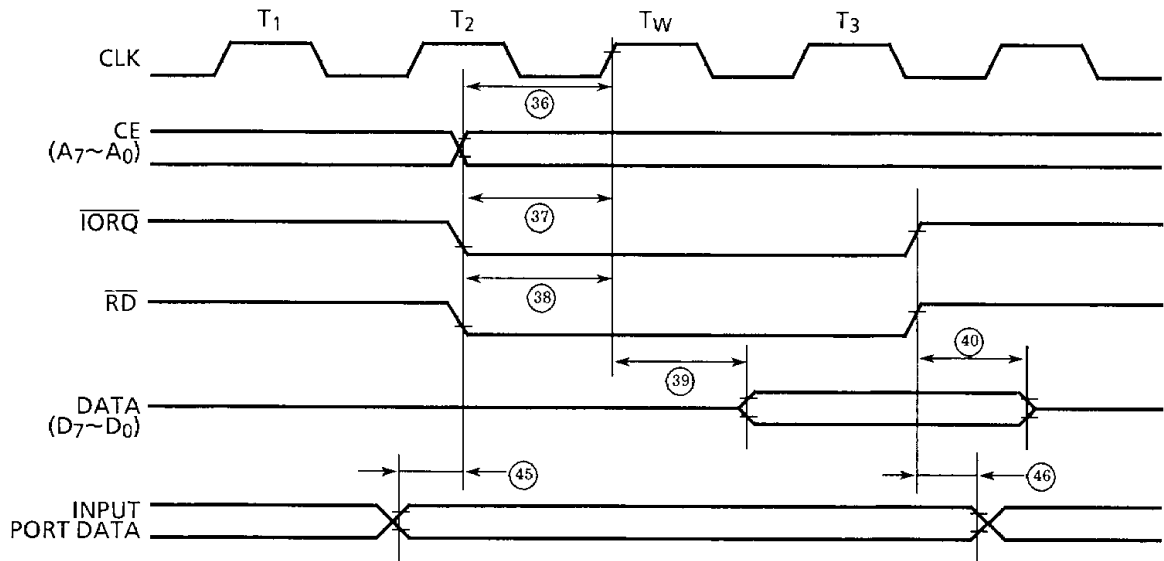


120489

Figure 4.7.5 CTC Timing Diagram (Inactive)

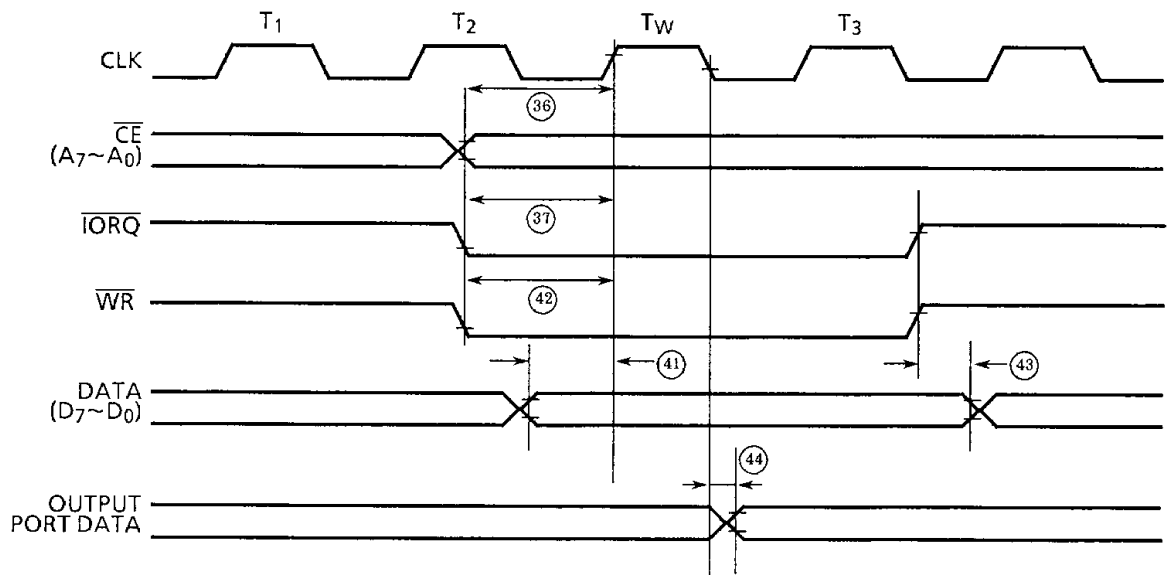


4.7.3 AC Timing Charts of I/O (in Inactive State)



120489

Figure 4.7.6 (a) I/O READ Timing



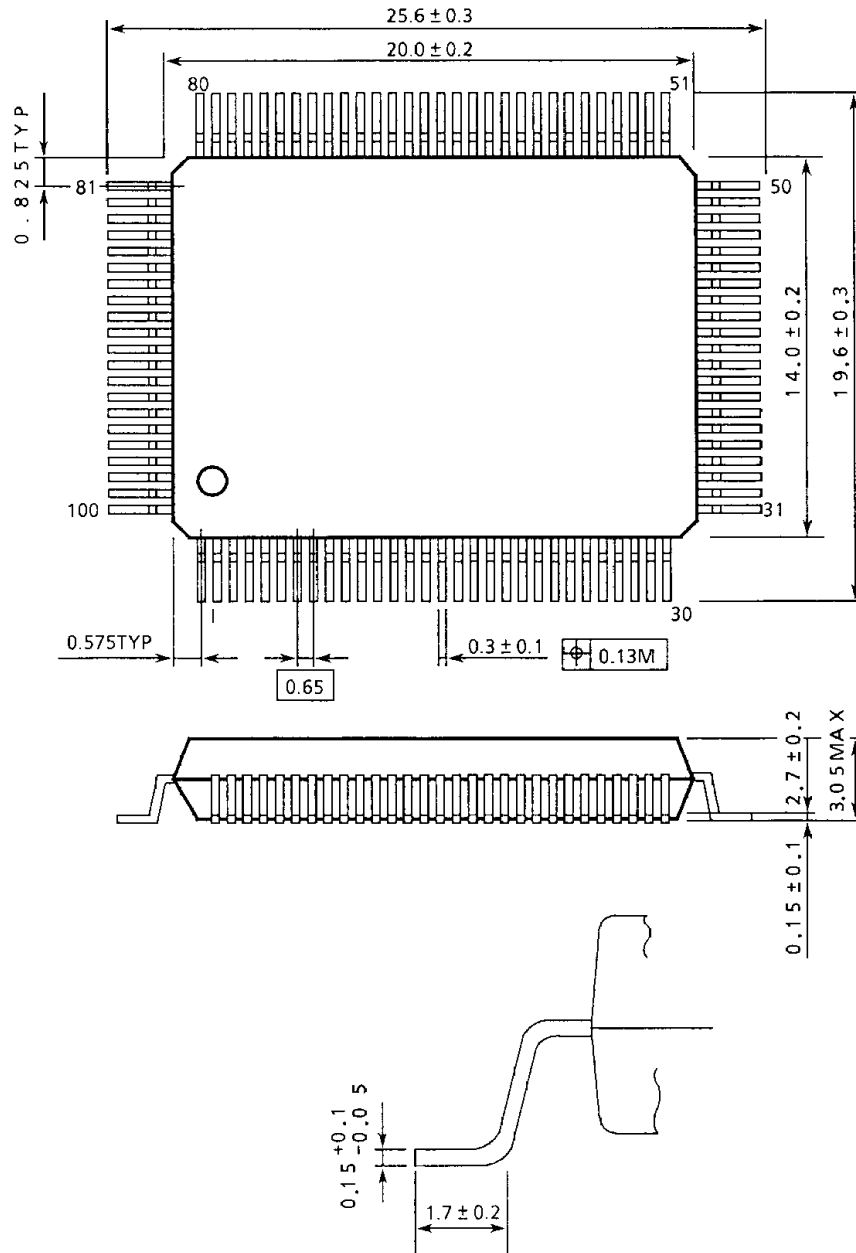
120489

Figure 4.7.6 (b) I/O WRITE Timing

4.8 OUT LINE DRAWING

QFP100-P-1420B

Unit : mm



290589